

allen + roth[®]



**SPECIFICATION GUIDE &
PARTS DIRECTORY**

February 2021



INTRODUCING *Port*

A Shaker-inspired door in a rich, versatile blue, Port offers a charming backdrop for any style of kitchen, and is elegant and timeless enough to suit a variety of tastes. These cabinets also pair beautifully with crisp whites, soft grays, and natural wood tones, providing a terrific accent color.

TABLE OF CONTENTS

WARRANTY	4	With Drawer Accessories	98
DOOR STYLE COLLECTIONS		Full-Height	101
ANNSCROFT	6	Full-Height with Accessories	102
AVELEY	7	Drawer Base	106
BICKERSHIRE	8	Peninsula	113
BRAMBLETON	9	Full-Height Peninsula	114
DAWLEY	10	Sink/Cooktop Base	115
PATTINGHAM	11	Sink Base with Accessories	117
PORT	12	Sink/Cooktop Front	120
STONEWALL	13	Corner	121
TENLEY	14	Blind Peninsula Corner	125
TUCKHILL	15	Blind Corner	127
STANDARD CABINET SPECIFICATIONS		Specialty	130
Certification	18	Base End Angle	130
Finishing Systems	19	Kneehole Drawer	132
Cabinet Dimensions	20	Base Bookshelf	132
Installation Guidelines	24	TALL CABINETS	
Essential Construction Package	26	Utility with Shelves	138
Select Construction Package	28	Utility with Deep Roll Out Trays	140
Luxury Construction Package	30	Single Oven	142
Construction Package Comparison	32	Double Oven	151
Overlay Dimensions	33	Accessories	155
CONSTRUCTION OPTIONS		DESK CABINETS	
Legend	36	Desk Cabinets 21" Deep	158
Furniture Ends, Recessed Toe Kick & Cabinet Front Only Options	37	Desk Cabinets 24" Deep	160
Reduced Depth Cabinet Option	38	Wall Bookshelves	162
Increased Depth Cabinet Option	39	Base Bookshelves	162
Matching Interior Cabinet Option and Void Top Drawer Option	40	Tall Bookshelves	163
Void Door Cabinet Option	41	Specialty Desk	164
Specialty Door Cabinets	42	VANITY CABINETS	
Aluminum Frame Door Option and Open Frame Door Option	43	Base Height	168
Decorative Glass Inserts	44	Base Height with Full-Height Door	168
Glass Clip Reference Chart	46	Base Height with Accessories	169
WALL CABINETS		Vanity Sink Base	170
Standard	48	Specialty	175
Refrigerator	55	Vanity Linen	176
Wall Top Hinge	58	Accessories	178
Microwave	60	PANELS AND FILLERS	
Peninsula	64	Panels	180
Blind Peninsula	69	Decorator Matching Doors	186
Corner	70	Fillers	188
Peninsula Corner	72	Shelves	192
Blind	73	Toe Kick	193
With Spice Rack	80	Installation Items	194
End Angle	80	MOLDINGS AND DECORATIVE ACCENTS	
Shelf End Wall	81	Moldings	198
Range Hoods	82	Valances	216
Specialty	88	Corbels	219
Bookshelves	90	Decorative Accents	226
Accessories	92	Legs	227
BASE CABINETS		Posts	232
Standard	94	DECORATIVE HARDWARE	234
With Roll Out Trays	95	PARTS DIRECTORY	242
With Base Pot and Pan Organizer	96	INDEX	288
With Wastebasket	97		

WARRANTY, CLAIMS & INFORMATION

ALLEN + ROTH CABINETRY

CONSUMER LIFETIME LIMITED WARRANTY

American Woodmark Corporation, the manufacturer of allen + roth cabinetry, hereby warrants to the original purchaser, for residential applications only, that all cabinets and accessories are free from defects in materials and workmanship. This warranty runs for as long as you own your home and begins upon the date of delivery to you. This warranty is expressly limited to repair or replacement of the defective part at the discretion of the manufacturer and does not include labor for removal or replacement. This warranty does not extend to defects caused by improper handling, storage, installation, assembly or disassembly, intentional damage, product modifications, exposure to the elements including humidity which may result in warping or splitting, accidental misuse, abuse or negligence.

Natural woods may vary in texture, color and woodgrain, and exhibit subtle changes as they age. For example, wood joints may eventually have visible cracking around the joint area and cabinet colors may darken or lighten over time. Sunlight, smoke, moisture, household cleaners and other environmental conditions may cause materials to vary from their original color and/or to warp, split or crack. These variations are considered to be the nature of the material in relation to its environmental exposure and are not covered under this warranty.

ADDITIONAL LIMITATIONS AND DISCLAIMERS

American Woodmark Corporation, the manufacturer of allen + roth cabinetry, makes no other warranties other than those set forth herein and all other warranties are hereby disclaimed. The implied warranties of merchantability and fitness for a particular purpose are limited in duration to the length of the limited warranty period. The limited warranties set forth herein are limited to the first and original buyer and are not transferable thereafter. In no event shall the manufacturer be liable for incidental or consequential damages to the purchaser or to any third party, including, without limitation, damages arising from personal injury, lost profits, loss of business opportunity, loss of property, economic losses, or statutory or exemplary damages, whether from negligence, warranty, strict liability or otherwise.

Some states do not allow the exclusion or limitation of incidental or consequential damages, or limitations on how long an implied warranty lasts, so the above limitations and exclusions may not apply to you. This warranty gives you specific legal rights, and you may also have other rights, which vary from state to state.

CLAIMS

All claims for defective cabinets and accessories must be submitted to the manufacturer in writing and must specify the defects present in the cabinets and accessories. After the manufacturer has had an opportunity to inspect the cabinets and accessories, it will, at their discretion, either replace defective cabinets and accessories or repair any defects in the cabinets and accessories. All claims must be submitted to the following address: American Woodmark Corporation Claims Department, Post Office Box 1980, Winchester, Virginia 22604.

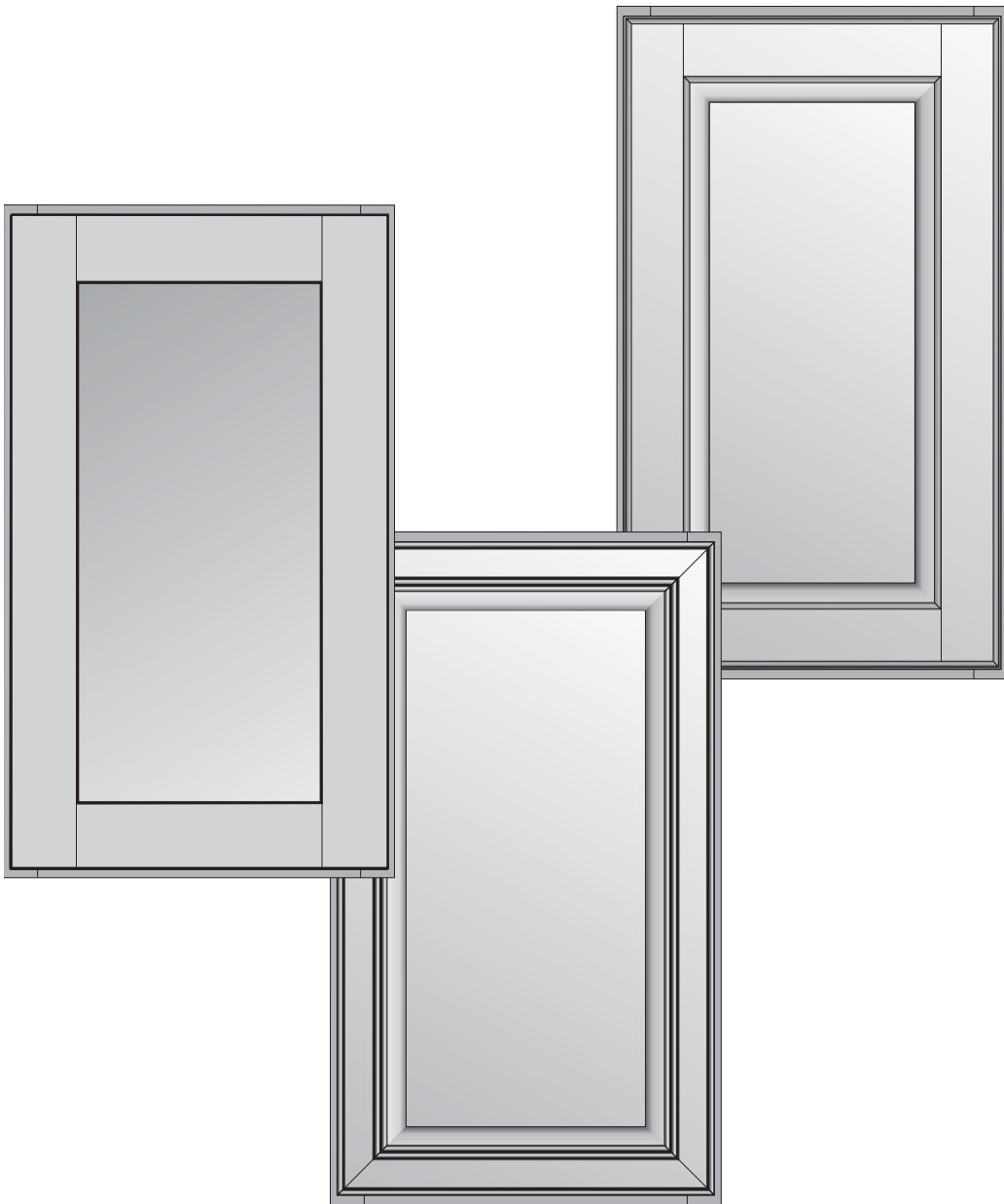
CONTINUOUS IMPROVEMENT

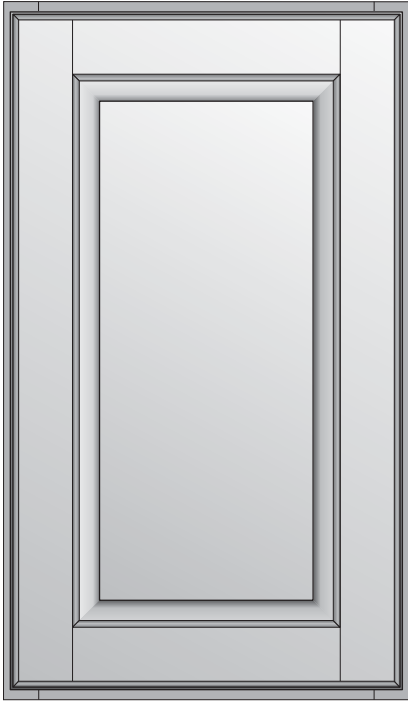
In keeping with our policy of continuous improvement, allen+roth cabinetry reserves the right to change specifications in design and materials as conditions require.

INFORMATION

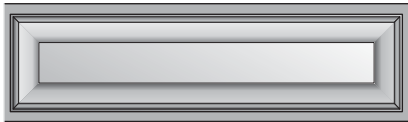
If you would like clarification about any of our products or processes, please call your exclusive allen+roth Customer Care Department at 855-768-4292.

door styles





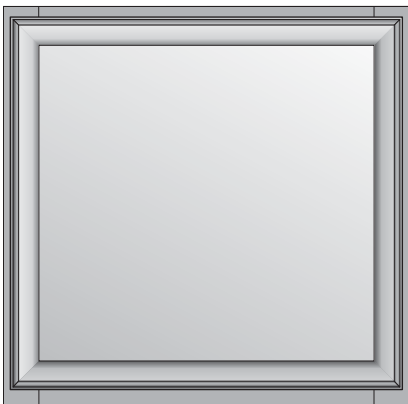
Door

Door
Cross Section

Kneehole Drawer Front

Kneehole Drawer
Cross Section

Standard Drawer Front

Standard Drawer
Cross Section

Large Drawer Front

Large Drawer
Cross Section

ANNSCROFT

Cream Paint with Deep Brown Glaze

CONSTRUCTION NOTES

Door Panel: Raised Panel

Drawer Front: Decorative Raised Slab

Door Style: Square

Overlay: Full Overlay

Door Stile Width: 3"

Door Rail Width: 3"

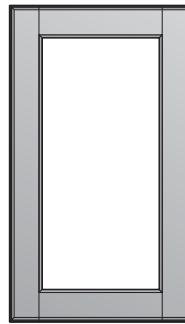
STYLE CODE

essential: 63MGZ

select: 64MGZ

luxury: 65MGZ

Specialty Doors (SD) available for this door style
See pages 42-43 for details and restrictions.



OFD



AFBA

AVELEY

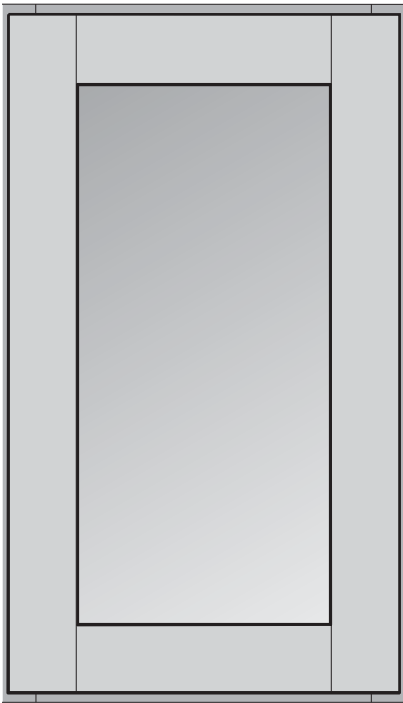
Bright White Paint

CONSTRUCTION NOTES

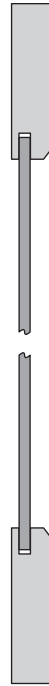
- Door Panel: Recessed Panel
- Drawer Front: 5-Piece Recessed Panel
- Door Style: Square
- Overlay: Full Overlay
- Door Stile Width: 3"
- Door Rail Width: 3"

STYLE CODE

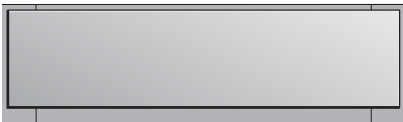
- essential:** 60MPS
- select:** 61MPS
- luxury:** 62MPS



Door



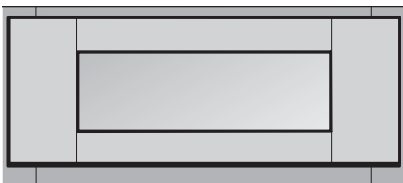
Door Cross Section



Kneehole Drawer Front



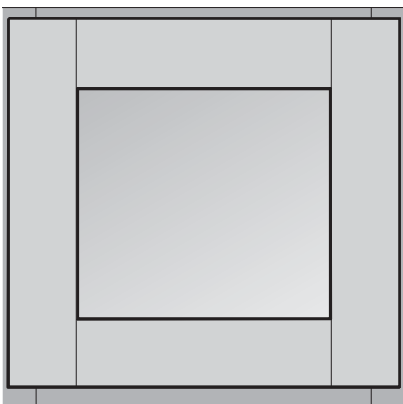
Kneehole Drawer Cross Section



Standard Drawer Front



Standard Drawer Cross Section

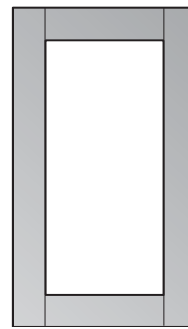


Large Drawer Front



Large Drawer Cross Section

Specialty Doors (SD) available for this door style
See pages 42-43 for details and restrictions.



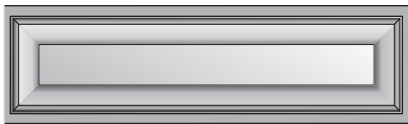
OFD



AFBA



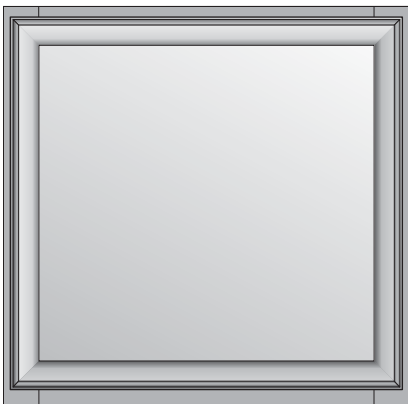
Door

Door
Cross Section

Kneehole Drawer Front

Kneehole Drawer
Cross Section

Standard Drawer Front

Standard Drawer
Cross Section

Large Drawer Front

Large Drawer
Cross Section

BICKERSHIRE

White Paint with Dark Gray Glaze

CONSTRUCTION NOTES

Door Panel: Raised Panel

Drawer Front: Decorative Raised Slab

Door Style: Square

Overlay: Full Overlay

Door Stile Width: 3"

Door Rail Width: 3"

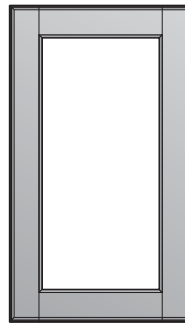
STYLE CODE

essential: 63MPQ

select: 64MPQ

luxury: 65MPQ

Specialty Doors (SD) available for this door style
See pages 42-43 for details and restrictions.



OFD



AFBA

BRAMBLETON

White Paint with Dark Gray Glaze

CONSTRUCTION NOTES

Door Panel:	Mitered Raised Panel
Drawer Front:	5-Piece Mitered Raised Panel
Door Style:	Square
Overlay:	Full Overlay
Door Stile Width:	2 1/4"
Door Rail Width:	2 1/4"

STYLE CODE

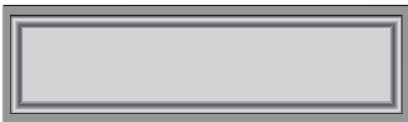
essential:	66MPQ
select:	67MPQ
luxury:	68MPQ



Door



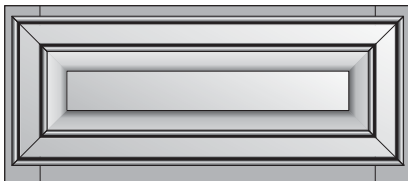
Door Cross Section



Kneehole Drawer Front



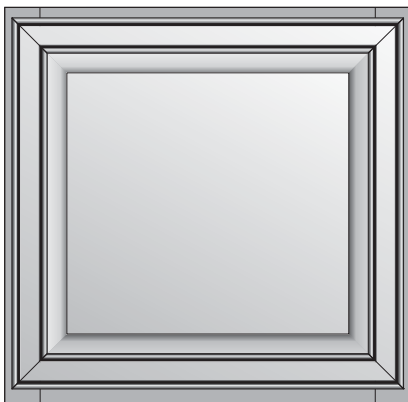
Kneehole Drawer Cross Section



Standard Drawer Front



Standard Drawer Cross Section

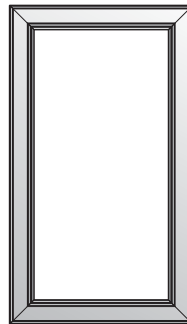


Large Drawer Front



Large Drawer Cross Section

Specialty Doors (SD) available for this door style
See pages 42-43 for details and restrictions.



OFD



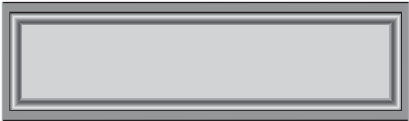
AFBA



Door



Door
Cross Section



Kneehole Drawer Front



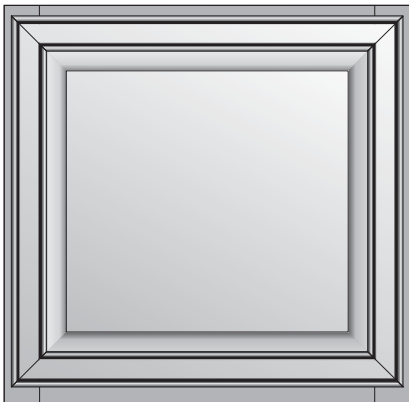
Kneehole Drawer
Cross Section



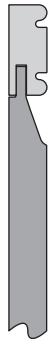
Standard Drawer Front



Standard Drawer
Cross Section



Large Drawer Front



Large Drawer
Cross Section

DAWLEY

Bright White Paint

CONSTRUCTION NOTES

Door Panel: Mitered Raised Panel

Drawer Front: 5-Piece Mitered Raised Panel

Door Style: Square

Overlay: Full Overlay

Door Stile Width: 2 1/4"

Door Rail Width: 2 1/4"

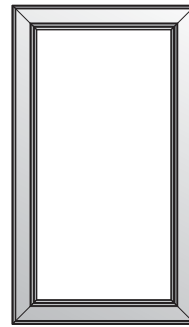
STYLE CODE

essential: 66MPS

select: 67MPS

luxury: 68MPS

Specialty Doors (SD) available for this door style
See pages 42-43 for details and restrictions.



OFD



AFBA

PATTINGHAM

Soft Warm Gray Paint

CONSTRUCTION NOTES

- Door Panel: Raised Panel
- Drawer Front: Decorative Raised Slab
- Door Style: Square
- Overlay: Full Overlay
- Door Stile Width: 3"
- Door Rail Width: 3"

STYLE CODE

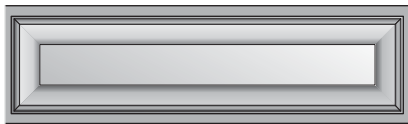
- essential:** 63MKS
- select:** 64MKS
- luxury:** 65MKS



Door



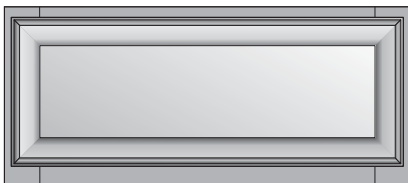
Door Cross Section



Kneehole Drawer Front



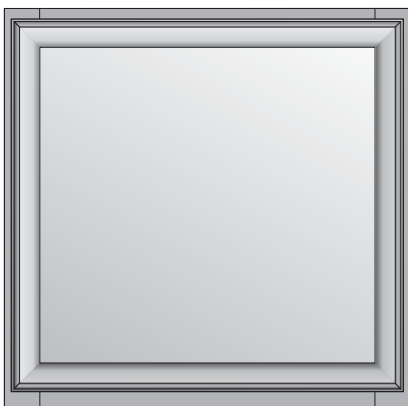
Kneehole Drawer Cross Section



Standard Drawer Front



Standard Drawer Cross Section

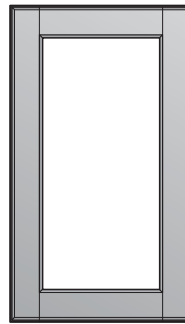


Large Drawer Front



Large Drawer Cross Section

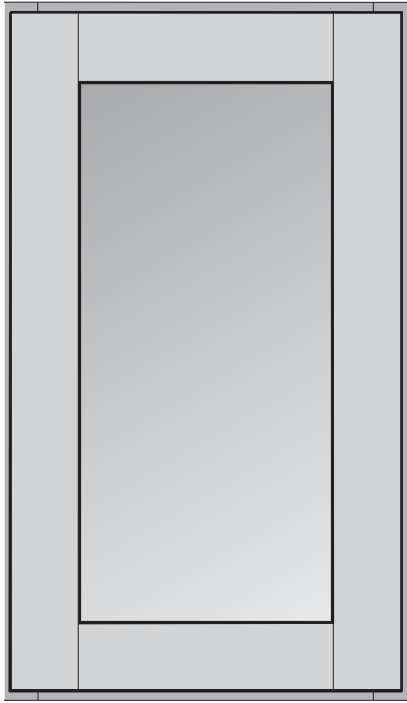
Specialty Doors (SD) available for this door style
See pages 42-43 for details and restrictions.



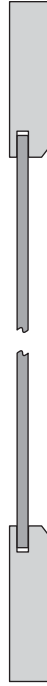
OFD



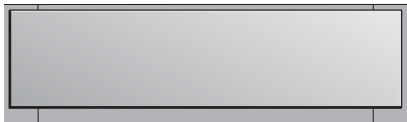
AFBA



Door



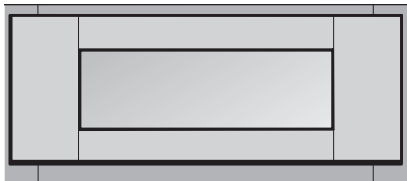
Door Cross Section



Kneehole Drawer Front



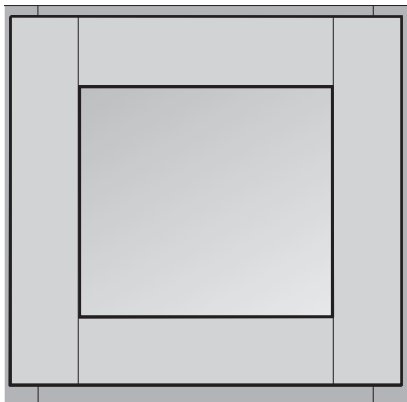
Kneehole Drawer Cross Section



Standard Drawer Front



Standard Drawer Cross Section



Large Drawer Front



Large Drawer Cross Section

PORT

NEW! DOOR STYLE

Dark Blue Paint

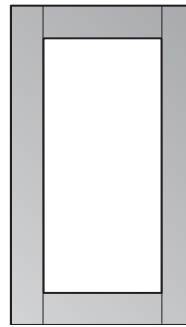
CONSTRUCTION NOTES

- Door Panel: Recessed Panel
- Drawer Front: 5-Piece Recessed Panel
- Door Style: Square
- Overlay: Full Overlay
- Door Stile Width: 3"
- Door Rail Width: 3"

STYLE CODE

- essential: **60FBS**
- select: **61FBS**
- luxury: **62FBS**

Specialty Doors (SD) available for this door style
See pages 42-43 for details and restrictions.



OFD



AFBA

STONEWALL

Medium Cool Gray Paint

CONSTRUCTION NOTES

Door Panel: Recessed Panel

Drawer Front: 5-Piece Recessed Panel

Door Style: Square

Overlay: Full Overlay

Door Stile Width: 3"

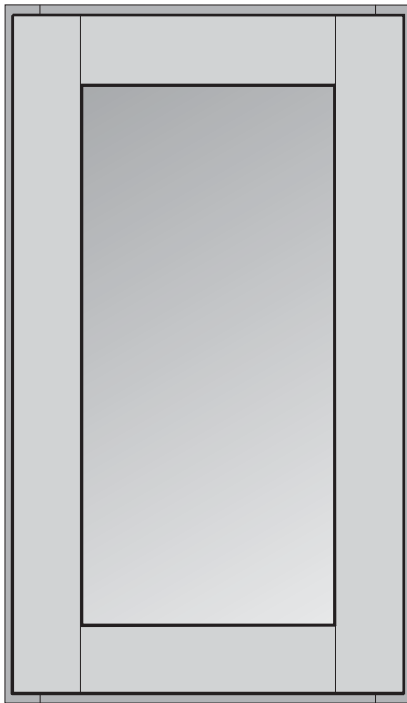
Door Rail Width: 3"

STYLE CODE

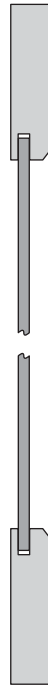
essential: 60MYS

select: 61MYS

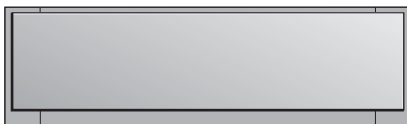
luxury: 62MYS



Door



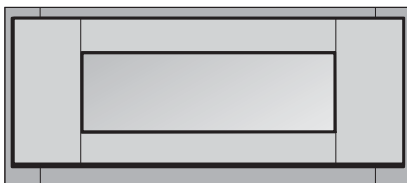
Door Cross Section



Kneehole Drawer Front



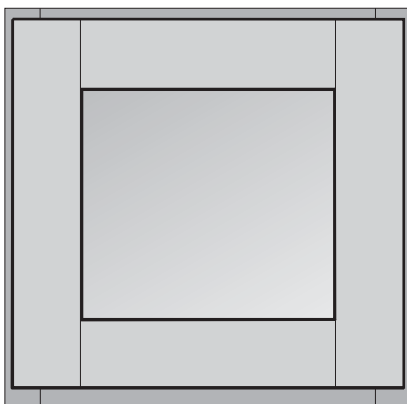
Kneehole Drawer Cross Section



Standard Drawer Front



Standard Drawer Cross Section

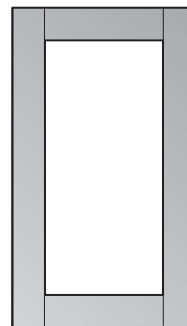


Large Drawer Front



Large Drawer Cross Section

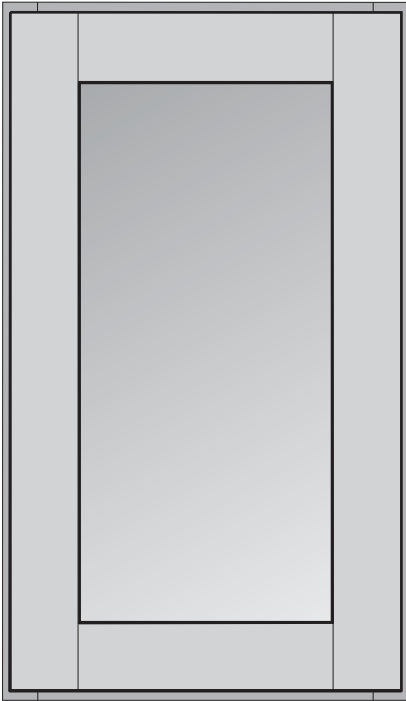
Specialty Doors (SD) available for this door style
See pages 42-43 for details and restrictions.



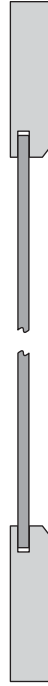
OFD



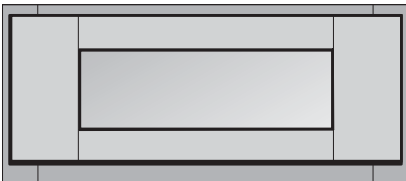
AFBA



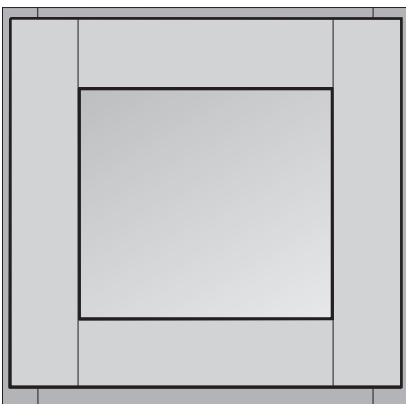
Door

Door
Cross Section

Kneehole Drawer Front

Kneehole Drawer
Cross Section

Standard Drawer Front

Standard Drawer
Cross Section

Large Drawer Front

Large Drawer
Cross Section

TENLEY

Soft Warm Gray Paint

CONSTRUCTION NOTES

Door Panel: Recessed Panel

Drawer Front: 5-Piece Recessed Panel

Door Style: Square

Overlay: Full Overlay

Door Stile Width: 3"

Door Rail Width: 3"

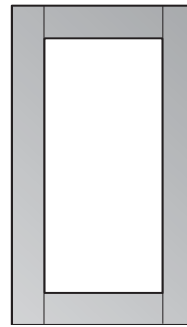
STYLE CODE

essential: 60MKS

select: 61MKS

luxury: 62MKS

Specialty Doors (SD) available for this door style
See pages 42-43 for details and restrictions.



OFD



AFBA



Door



Door
Cross Section

TUCKHILL

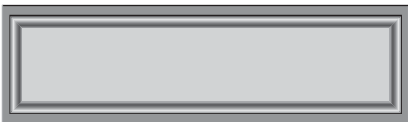
Cream Paint with Deep Brown Glaze

CONSTRUCTION NOTES

- Door Panel: Mitered Raised Panel
- Drawer Front: 5-Piece Mitered Raised Panel
- Door Style: Square
- Overlay: Full Overlay
- Door Stile Width: 2 1/4"
- Door Rail Width: 2 1/4"

STYLE CODE

- essential:** 66MGZ
- select:** 67MGZ
- luxury:** 68MGZ

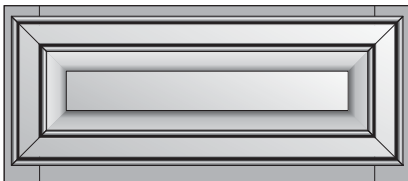


Kneehole Drawer Front



Kneehole Drawer
Cross Section

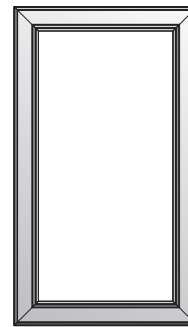
Specialty Doors (SD) available for this door style
See pages 42-43 for details and restrictions.



Standard Drawer Front



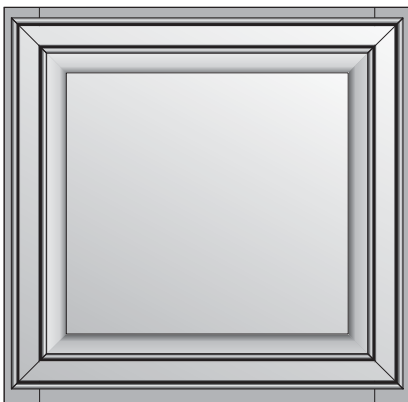
Standard Drawer
Cross Section



OFD



AFBA

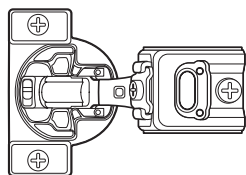
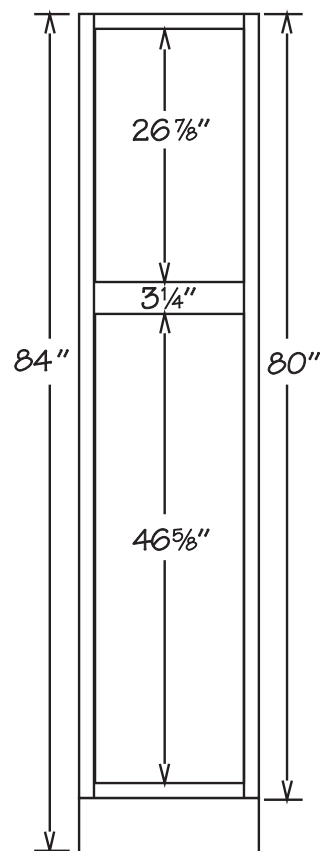
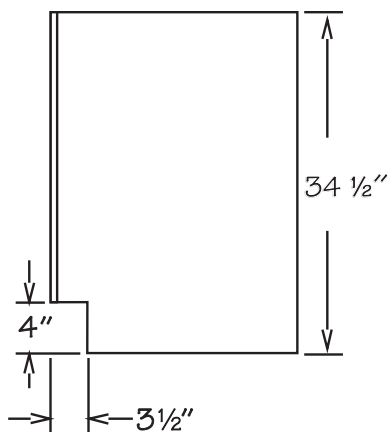
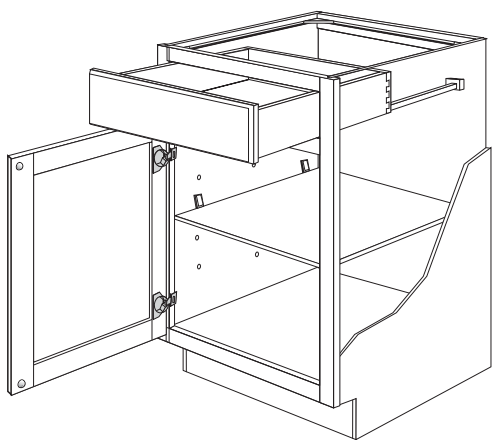


Large Drawer Front



Large Drawer
Cross Section

standard cabinet specifications



KCMA CERTIFIED

All cabinetry manufactured by American Woodmark Corporation is certified by the Kitchen Cabinet Manufacturers Association (KCMA).

KCMA sets the American National Standards Institute/ KCMA 161.1- 2000 uniform performance and construction standards for kitchen cabinets. The program is referenced by U.S. Government Agencies, architects, builders, remodelers and other specifiers.

Cabinets that bear the KCMA seal of certification are recognized as a quality product with the ability to perform after a rigorous battery of tests, simulating years of typical household use. Tests are performed by approved third-party independent laboratories.

American Woodmark Corporation, the manufacturer of allen + roth cabinetry is proud to display the KCMA seal of certification for cabinet construction.



ANSI/KCMA A161.1

ENVIRONMENTALLY RESPONSIBLE STEWARDSHIP

As a leading U.S. manufacturer of fine cabinetry, American Woodmark Corporation is committed to conducting business in a manner that both protects the environment and safeguards public health and safety. To achieve this end, the company proactively identifies potential environmental risks and monitors compliance with appropriate federal, state, local and internal standards.

The company has received certification by the Kitchen Cabinet Manufacturers Association (KCMA) Environmental Stewardship Program on all products. The certification was awarded based on compliance across a broad range of activity including air quality, product resource management, process resource management, environmental stewardship and community relations.

The company works with all suppliers to encourage sustainable forestry practices. Particle board and plywood are purchased from suppliers that meet the Composite Panel Association requirements for Environmentally Preferable Products including formaldehyde emissions that comply with ANSI Standards.

The company uses leading edge technologies to limit both hazardous and non-hazardous emissions, byproducts, and waste. Ongoing, formal programs identify opportunities for recycling and reusing materials. When waste ultimately requires disposal, steps are taken to minimize the environmental impact.

The American Woodmark Foundation supports local programs serving the community, including activities focused on maintaining the quality of life.

Our company is dedicated to doing our part in the preservation and sustainability of the environment.



KITCHEN CABINET MANUFACTURERS ASSOCIATION
ENVIRONMENTAL STEWARDSHIP PROGRAM (ESP)
ALL PRODUCTS IMPACT THE ENVIRONMENT
FOR ESP PROGRAM CRITERIA, VISIT KCMA.ORG

FINISHING SYSTEMS

The finishing systems used on our products are designed to ensure the beauty and durability of our cabinetry. State-of-the-art equipment allows precise sanding, filling and finish coverage of each of our products.

BEAUTYGUARD® FINISHING SYSTEM

BeautyGuard is an extremely sophisticated and environmentally responsible coating that offers durability, ease of cleaning and water resistance. We use a combination of mechanical systems to bring out the richness, luster and natural grain definition of the wood, as well as computerized automation to ensure color consistency and surface smoothness. Our BeautyGuard Finishing System is a rigorous multi-step process that includes sanding, brushing, cleaning, stain application, computerized oven drying and a catalyzed topcoat to protect and beautify cabinets for years to come.

TUFFTECH® FINISHING SYSTEM

Our TuffTech finishing system uses high quality materials to finish our cabinet side panels, shelves, tops, bottoms and floors. These materials ensure our cabinets are durable, easy to clean, and resistant to stain and discoloration.

ENVIRONMENTALLY RESPONSIBLE FINISHING

Our panel finishing system uses only water-based paints and fillers, yielding neither hazardous waste nor water contamination. Our acrylic and urethane materials are 100% solids, dried using high intensity lights, yielding no atmospheric emissions. Our products are extremely resistant to stains and surface damage that can be caused by common household chemicals. Our products exceed KCMA and ANSI standards for resistance to stains like coffee, grape juice and moisture.

CONTINUOUS IMPROVEMENT

In keeping with our policy of continuous product refinement, American Woodmark Corporation reserves the right to change specifications in design and materials as conditions require.

CABINET CARE

Remove dust from cabinets frequently with a soft lint-free cloth. The cloth may be slightly dampened with water or a spray type dust remover. Wood cabinet surfaces may be polished once every few months with a high quality, non-oil-based furniture polish. Do not use a paste wax type material. Wax buildup is difficult to remove and will leave a residue that attracts dust and moisture. Polishes containing silicon should not be used. Clean spills immediately. Use a clean cloth and mild soap if necessary. Wipe dry with a clean soft cloth. Do not use detergents, citrus or ammonia based cleaners, steel wool, soap pads or abrasive cleaners on cabinets.

Extra care should be taken that cabinet finishes are not exposed to heat in excess of 200° Fahrenheit. Do not place or mount small appliances beneath wall cabinets. These appliances (such as coffee makers and toasters) can produce excessive heat, which can damage the finish of cabinets. Do not expose doors or drawer fronts to heat created from self-cleaning ovens or ranges.

ALLOW CABINETS TO AGE BEAUTIFULLY

Our cabinets represent the careful selection of woods. While every effort is made to match woodgrain as closely as possible, no two pieces of wood are exactly alike, even from the same tree. These differences in natural color and grain mean that each piece will respond differently to the finishing materials used. For example, close-grained woods absorb less and will vary in color from more open-grained pieces from the very same tree. It's these variations that contribute to the beauty and distinction of quality wood products. However, exposure to sunlight, smoke and chemicals may cause some materials to fade or vary from their original color over time.

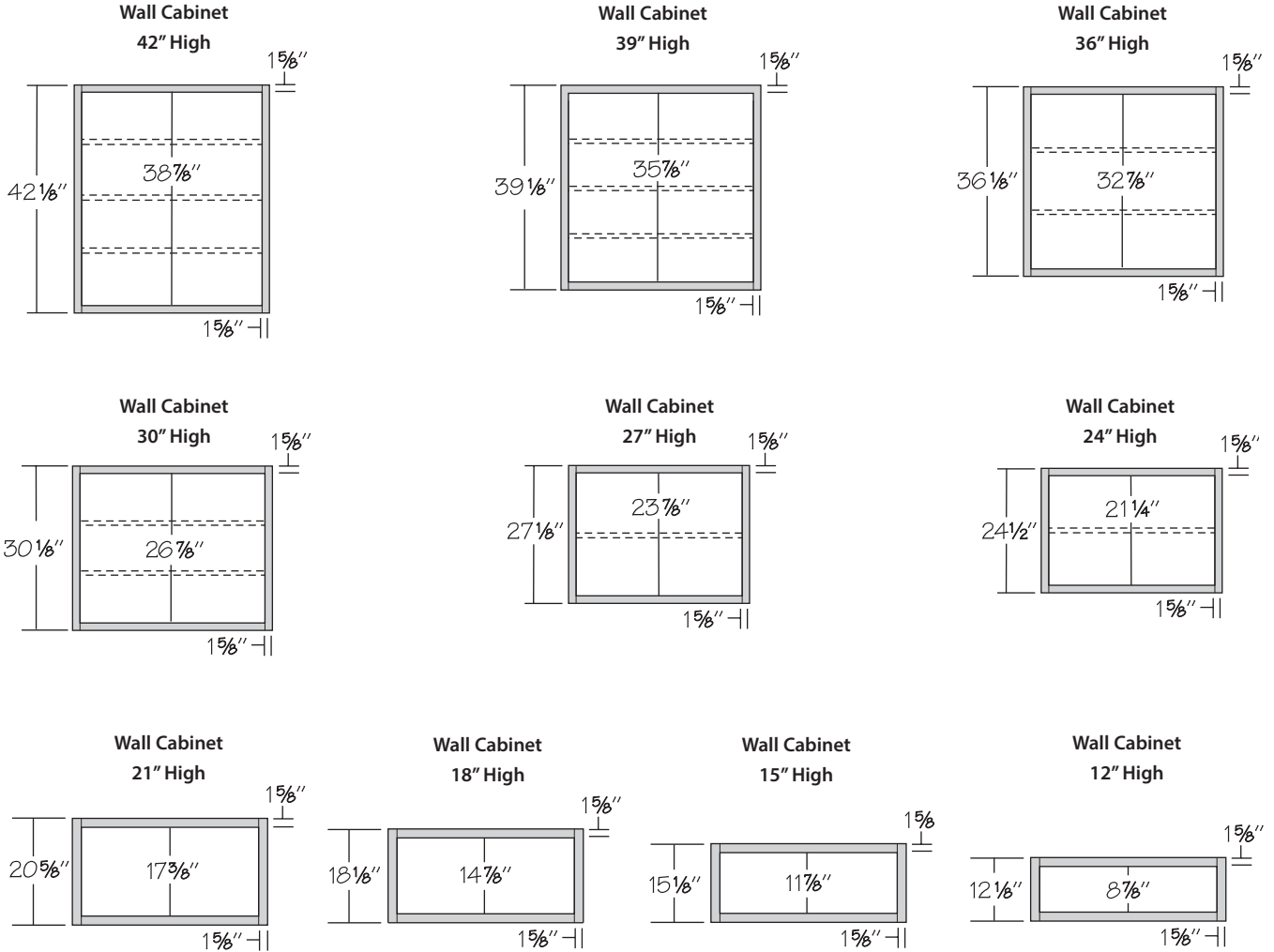
This is why cabinets, doors, drawer fronts and accessories added at a later date may not exactly match cabinets installed now. For the same reasons, door samples or displays may not represent the exact color of cabinets received at the time of shipment. Consumers should also read all cleaning agent instructions carefully before application.

Due to changes that occur from natural and environmental factors a cabinet is exposed to over its lifetime, we cannot be responsible for variations that occur in the finish of wood cabinets as they age.

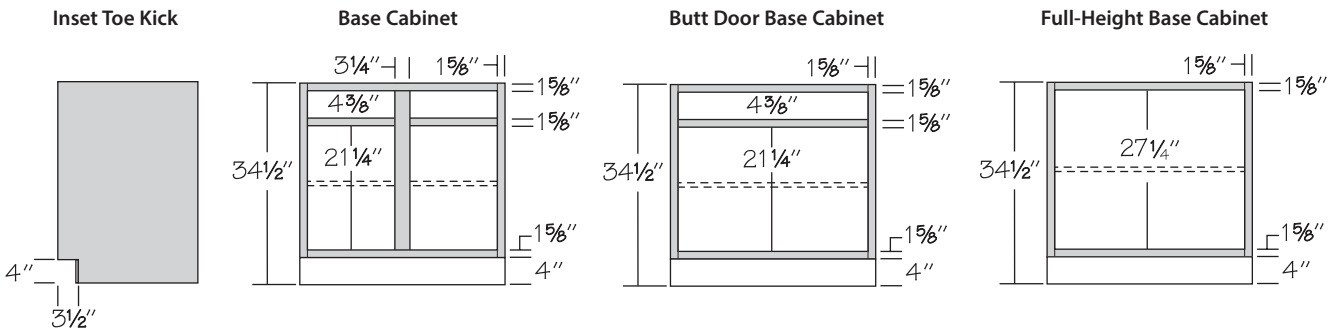
These illustrations specify dimensions of vertical stiles, horizontal rails, inset toe kick, cabinet heights and standard interior opening heights for Wall, Base, Vanity, Desk and Tall cabinets. Cabinets 39" or wider will feature a 3/4" center stile.

cabinet specifications

Wall Cabinets



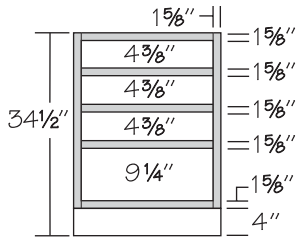
Base Cabinets



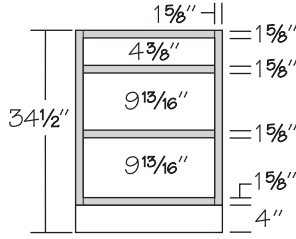
Inset toe kick construction requires BTK8 matching toe kick – must be ordered separately.

Drawer Base Cabinets

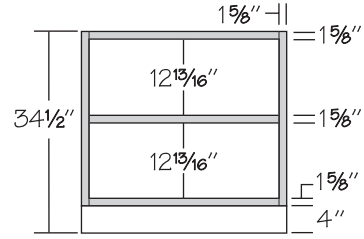
4 Drawer Base Cabinet



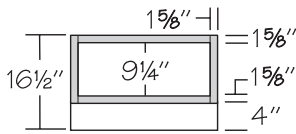
3 Drawer Base Cabinet



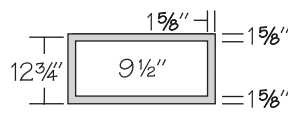
2 Drawer Base Cabinet



Pedestal Drawer Cabinet

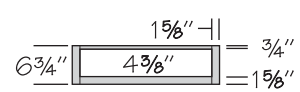


Furniture Drawer Cabinet
12" High*



*No toe kick. The bottom of the cabinet must be fully supported.

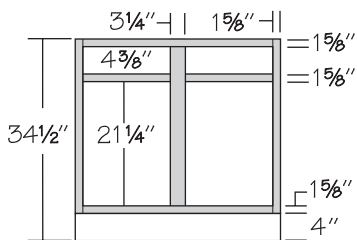
Furniture Drawer Cabinet
6" High*



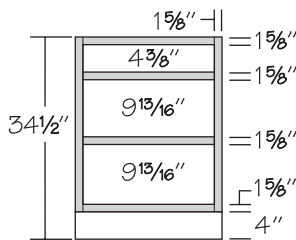
*No toe kick. The bottom of the cabinet must be fully supported.

Vanity Cabinets

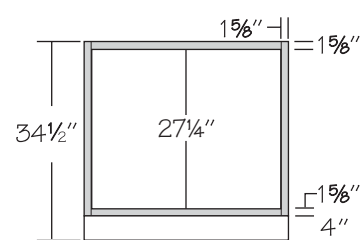
Vanity Base Cabinet
Base Height



Vanity Drawer Base
Base Height

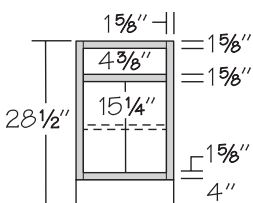


Vanity Full-Height
Base Cabinet

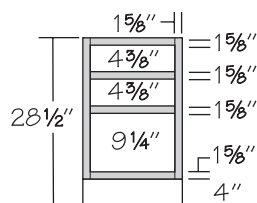


Desk Cabinets

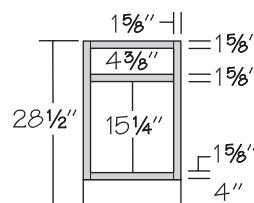
Desk Base Cabinet



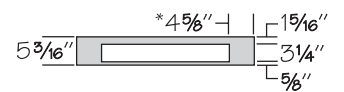
Desk Drawer Cabinet



Desk File Pull Out



Kneehole Drawer*

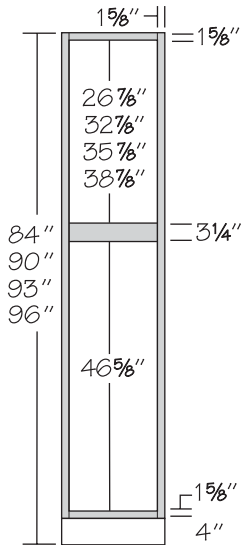


Trimable in height to 4 3/4"
*Dimension for KDC36/33 is 3 1/8"

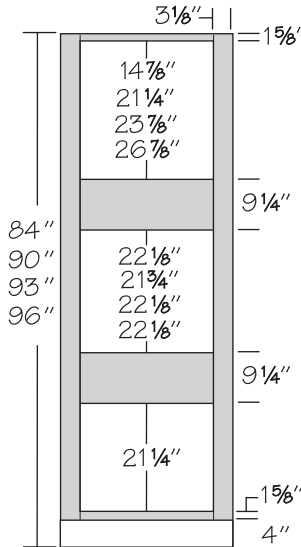
Tall Cabinets

cabinet specifications

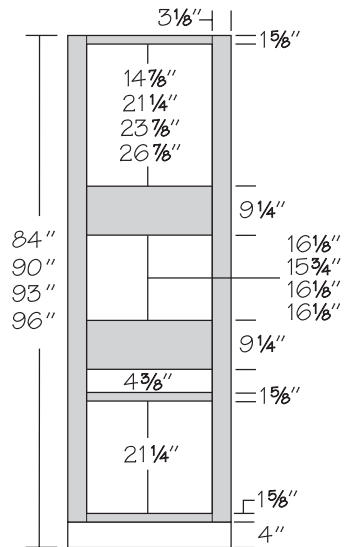
Utility/Vanity Linen Cabinet



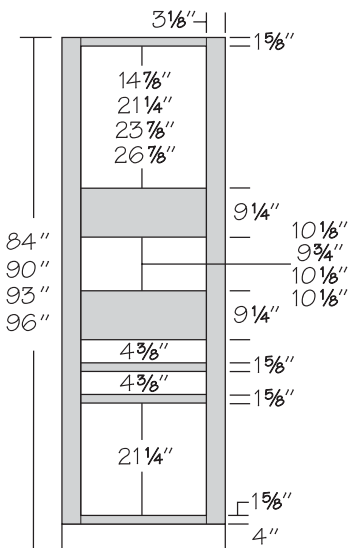
Single Oven Cabinet
4 Butt Doors*



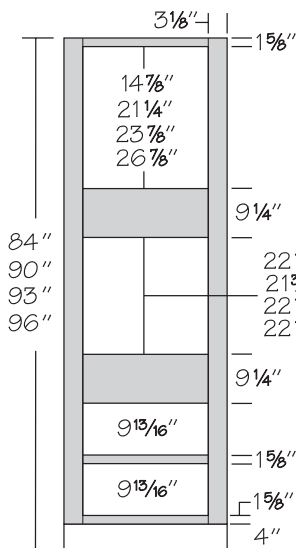
Single Oven Cabinet
1 Drawer*



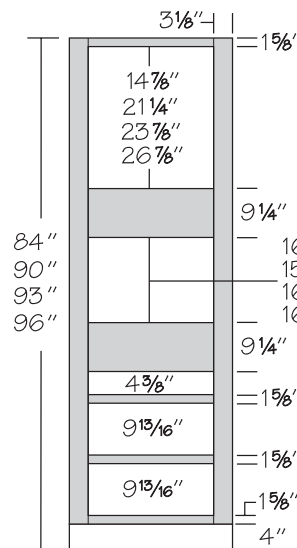
Single Oven Cabinet
2 Drawers*



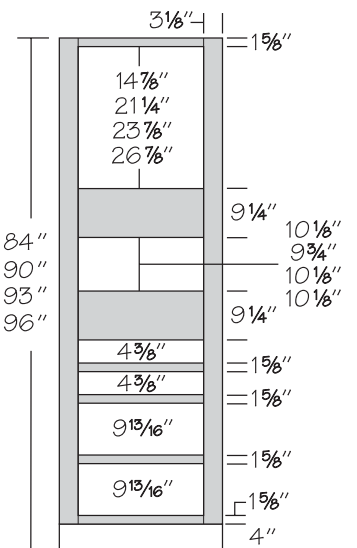
Single Oven Cabinet
2 Large Drawers*



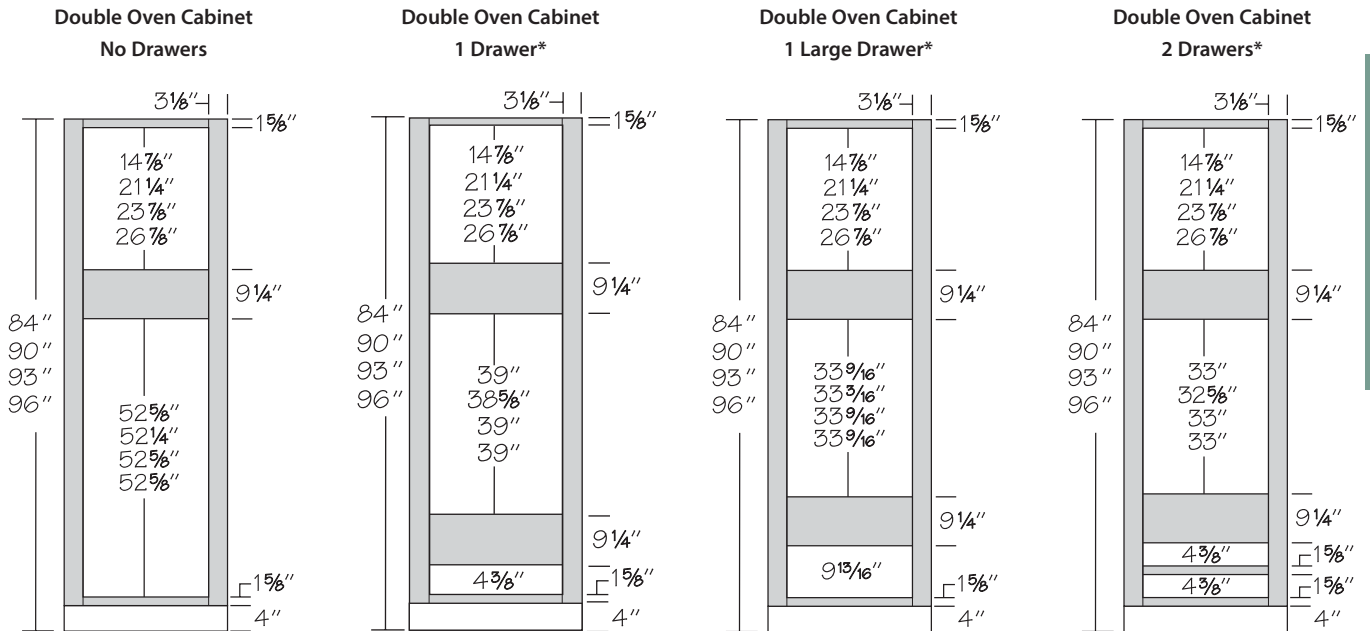
Single Oven Cabinet
3 Drawers*



Single Oven Cabinet
4 Drawers*



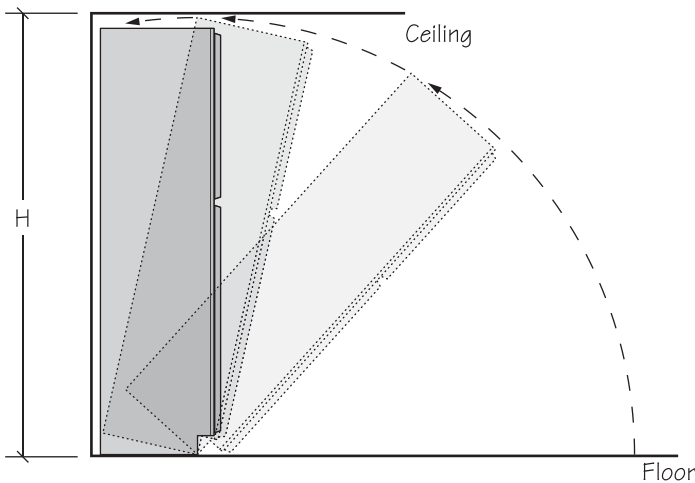
Tall Cabinets



cabinet specifications

*Actual height of oven opening shown. For actual width, maximum width and maximum height dimensions, please refer to Cut Out Dimensions Chart in specific cabinet SKU box.

Ceiling Height Requirements for Tall Cabinets



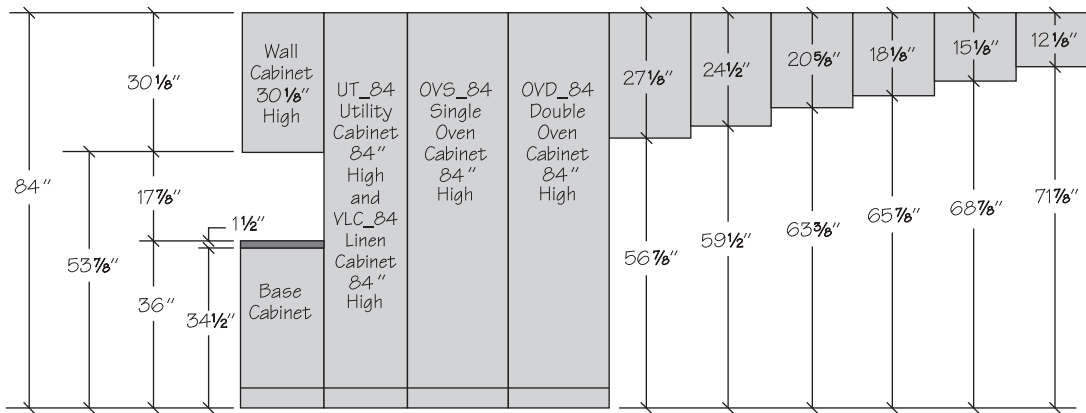
Cabinet Height	Cabinet Depth	Minimum Ceiling Height H
84"	12"	84 9/16"
84"	18"	85 1/4"
84"	24"	86 1/2"
90"	12"	90 1/2"
90"	18"	91 5/16"
90"	24"	92 5/16"
93"	12"	93"
93"	18"	93"
93"	24"	93"
96"	12"	96"
96"	18"	96"
96"	24"	96"

Notes:

- 93" and 96" high Utility cabinets have 4" toe kick assembly shipped inside cabinet.

These illustrations specify dimensions of the height guidelines for top alignment of Wall and Tall (Linen, Utility and Oven) cabinets installation.

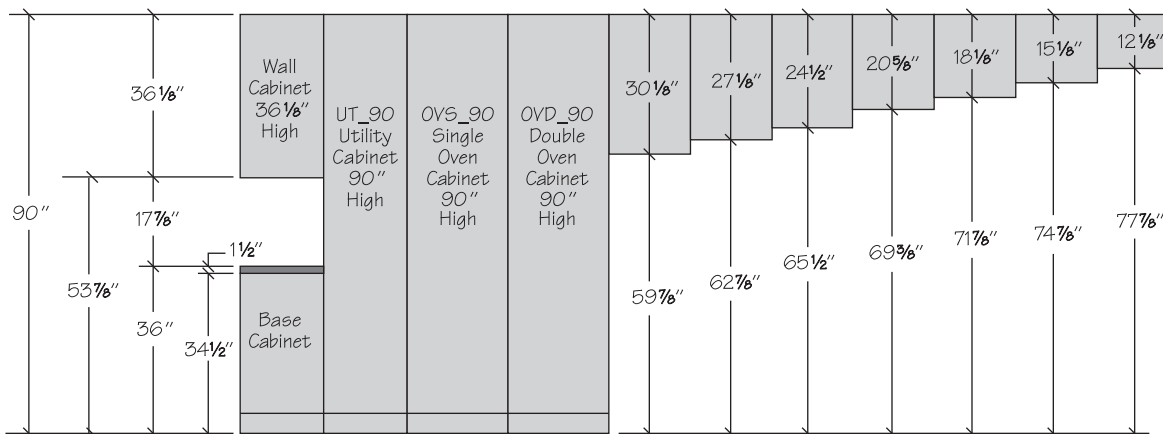
84" Top Alignment Cabinet Installation



Notes:

- 84" top alignment cabinet installation includes standard Wall cabinets (30 1/8" high) installed 53 7/8" above the finished floor, allowing 17 7/8" clearance between the Wall cabinets and a standard countertop height of 36".
- Tall cabinetry (Linen, Utility and Oven) is 84" high.
- When selecting cabinetry for installation above or near any appliance, refer to the appliance manufacturer's specifications for clearance and venting requirements.

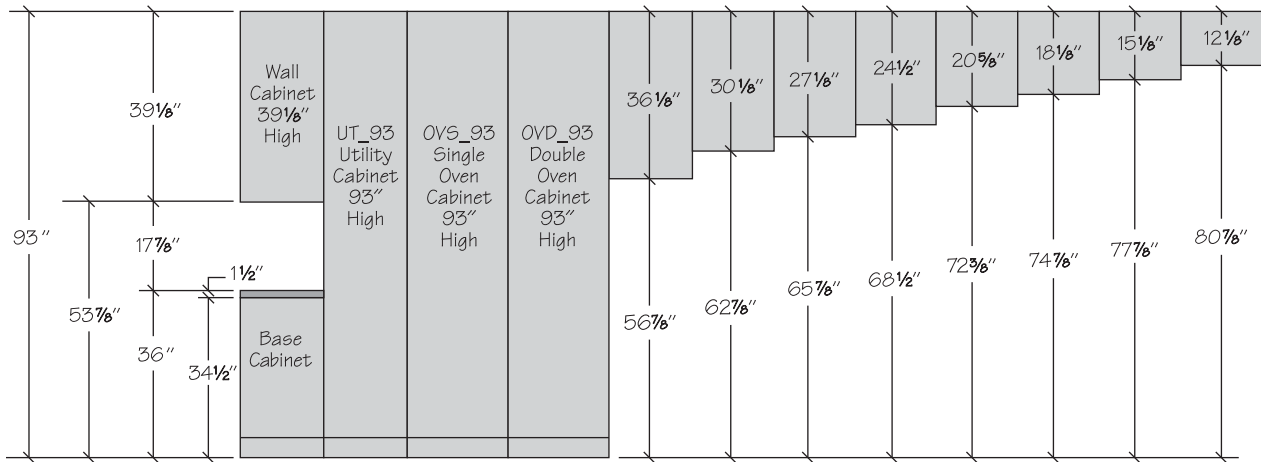
90" Top Alignment Cabinet Installation



Notes:

- 90" top alignment cabinet installation includes taller Wall cabinets (36 1/8" high) installed 53 7/8" above the finished floor, allowing 17 7/8" clearance between the Wall cabinets and a standard countertop height of 36".
- Tall cabinetry (Utility and Oven) is 90" high.
- When selecting cabinetry for installation above or near any appliance, refer to the appliance manufacturer's specifications for clearance and venting requirements.

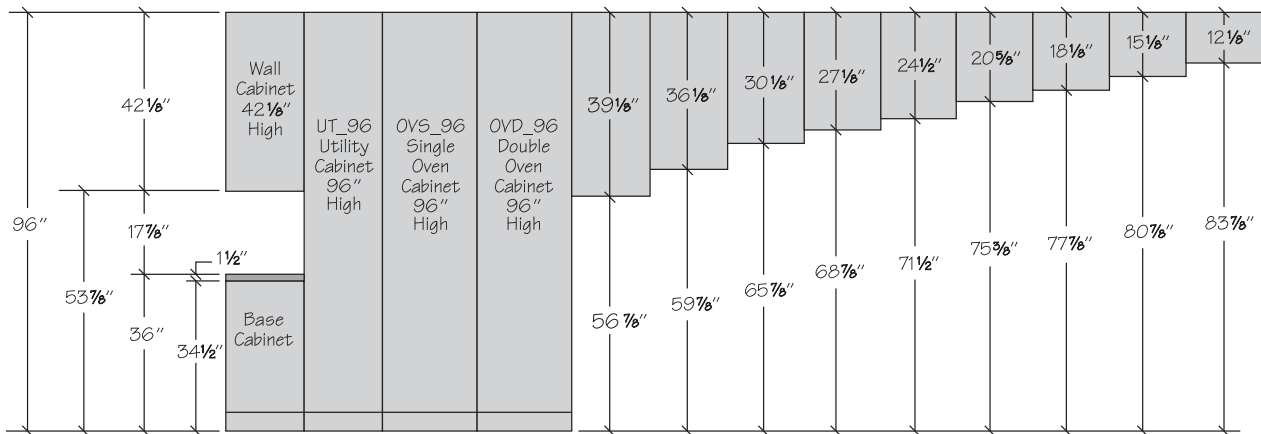
93" Top Alignment Cabinet Installation



Notes:

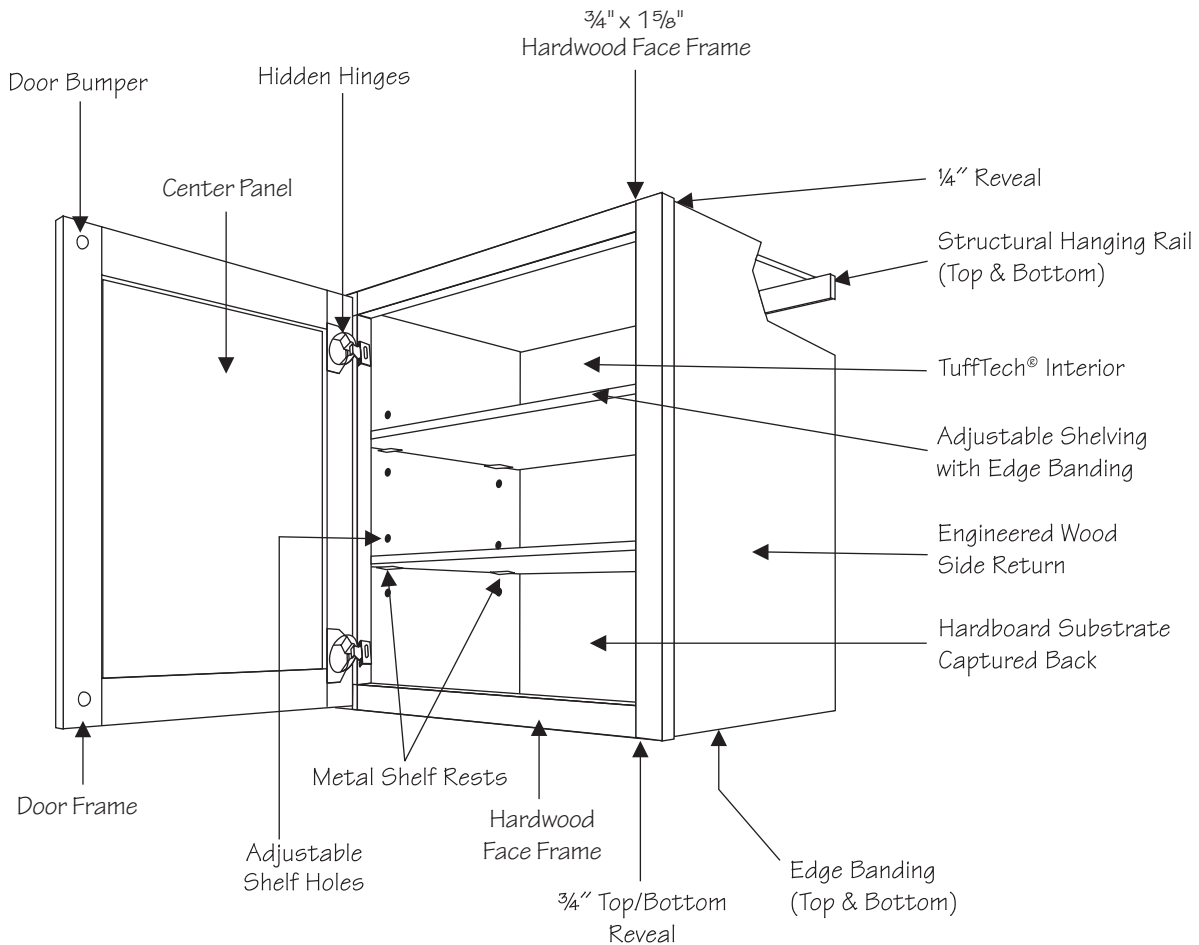
- 93" top alignment cabinet installation includes Wall cabinets (39 1/8" high) installed 56 7/8" above the finished floor, allowing 17 7/8" clearance between the Wall cabinets and a standard countertop height of 36".
- Tall cabinetry (Utility and Oven) is 93" high.
- **When selecting cabinetry for installation above or near any appliance, refer to the appliance manufacturer's specifications for clearance and venting requirements.**

96" Top Alignment Cabinet Installation



Notes:

- 96" top alignment cabinet installation includes Wall cabinets (42 1/8" high) installed 53 7/8" above the finished floor, allowing 17 7/8" clearance between the Wall cabinets and a standard countertop height of 36".
- Tall cabinetry (Utility and Oven) is 96" high.
- **When selecting cabinetry for installation above or near any appliance, refer to the appliance manufacturer's specifications for clearance and venting requirements.**



CABINET FACE FRAMES

Cabinet face frames are made from $\frac{3}{4}$ " x $1\frac{5}{8}$ " solid hardwood, and are kiln-dried to prevent warping and finished with our BeautyGuard finishing system. Face frame joints are precision fixtured, pressure fitted and mechanically fastened.

CABINET SIDE PANELS

Cabinet side panels are $\frac{1}{2}$ " thick engineered wood. The exterior sides match the cabinet finish and interior sides are finished with a natural woodgrain look using our TuffTech finishing system. They are captured into a grooved front face frame and secured using high-strength fasteners and glue.

HINGES

Fully-concealed, 6-way adjustable, self-closing Hidden Hinges.

CABINET TOPS, BOTTOMS AND FLOORS

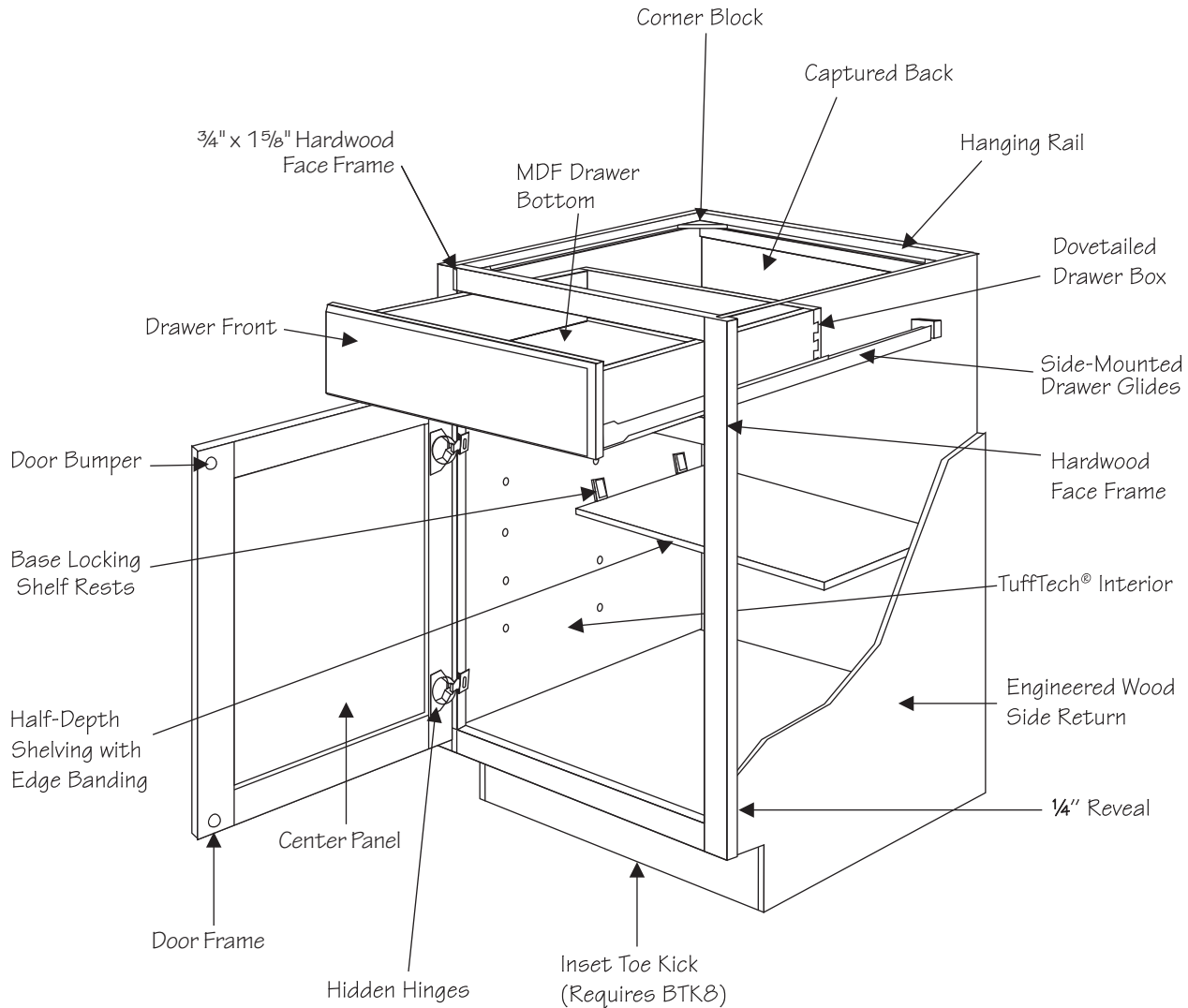
Tops, bottoms and floors are $\frac{1}{2}$ " thick engineered wood. The exteriors and interiors are finished with a natural woodgrain look using our TuffTech finishing system. They are fitted and glued into the cabinet front face frame grooves, then captured in the grooves of the cabinet side panels.

CABINET BACK

The cabinet back is made from $\frac{1}{8}$ " thick hardboard substrate. The inside cabinet surface is finished in a natural woodgrain look using our TuffTech finishing system.

HANGING RAILS

The base hanging rail is $\frac{3}{4}$ " thick hardwood, mortise and tenon joined and glued to the cabinet side panels. The wall cabinet hanging rails are $\frac{1}{2}$ " thick engineered wood, glued and pinned into the cabinet back, cabinet side panels and top/bottom.



DRAWER SYSTEMS

All standard drawers are 5/8" thick 18" deep dovetail hardwood with laminated MDF bottoms and side-mounted drawer glides. All drawers meet KCMA load standards of 15 pounds per square foot.

DEEP ROLL OUT TRAYS

Deep Roll Out Trays utilize natural finish dovetail hardwood drawers with MDF bottoms. Trays meet KCMA load standards of 15 pounds per square foot. Deep Roll Out Trays feature side-mounted 3/4" access drawer glides.

CORNER BLOCKS

Corner blocks are attached to help ensure cabinet squareness and allow for proper countertop installation.

CABINET SHELVES

Cabinet shelves are 3/4" thick engineered wood. The shelves are finished in a natural woodgrain look using our TuffTech finishing system and are banded on one side with PVC edge banding. Tall and Standard Wall cabinets feature full-depth shelves. Base, Desk and Wall Refrigerator cabinets feature half-depth shelves. All shelves are adjustable and meet KCMA load standards of 15 pounds per square foot.

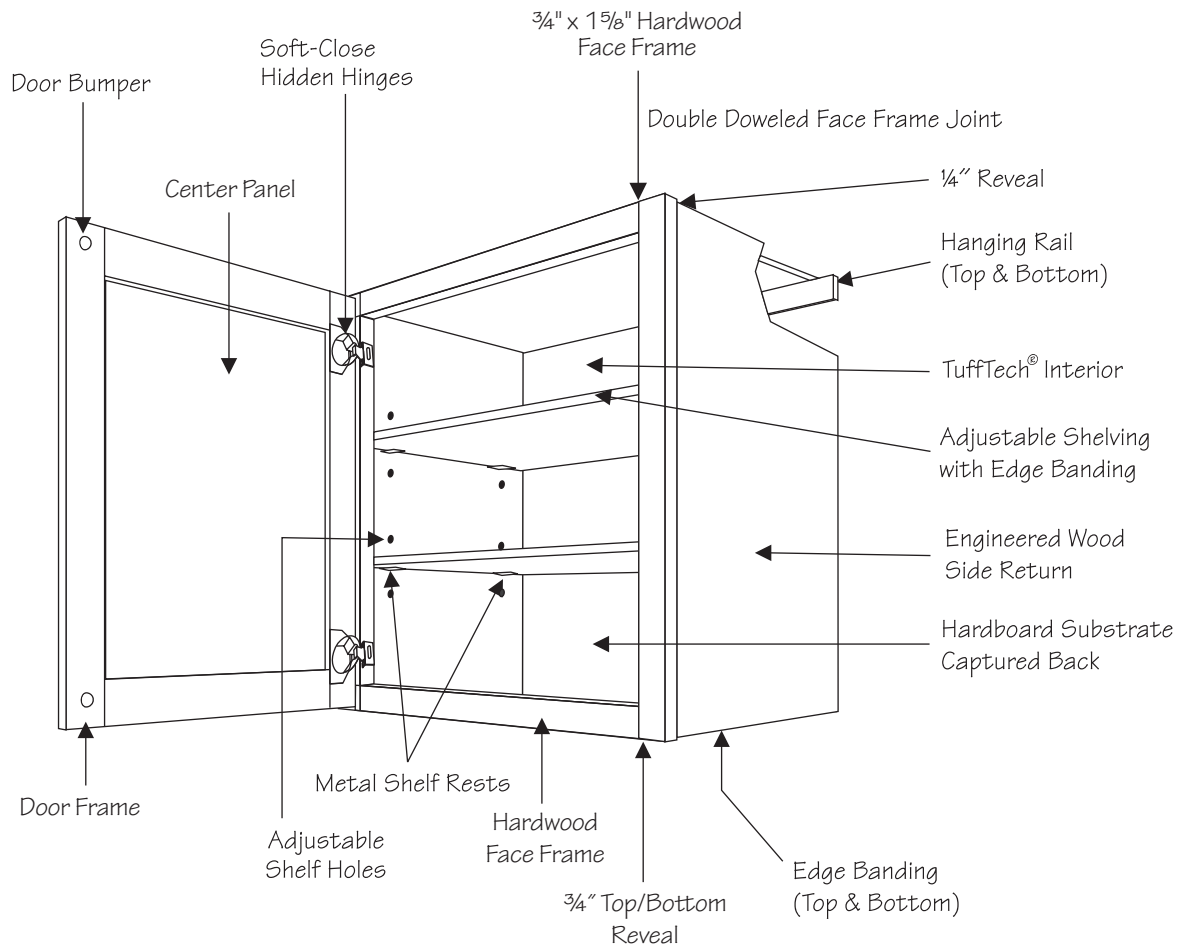
SHELF RESTS

Nickel plated 1/4" steel metal shelf rests are standard on all Wall cabinets and Bookshelves. Clear high-strength polycarbonate clip lock shelf rests are standard on all Base, Desk and Tall cabinets. Clip lock shelf rests lock shelves in place, prevent sliding and allow for easy shelf removal.

INSET TOE KICK

Inset toe kicks are constructed of 1/2" thick unfinished engineered wood and are 4" high and recessed 3 1/2".

BTK8 (matching toe kick) required for installation.



CABINET FACE FRAMES

Cabinet face frames are made from $\frac{3}{4}'' \times 1\frac{5}{8}''$ solid hardwood, and are kiln-dried to prevent warping and finished with our BeautyGuard finishing system. Face frame joints are precision fixtured, pressure fitted and mechanically fastened.

CABINET SIDE PANELS

Cabinet side panels are $\frac{1}{2}''$ thick engineered wood. The exterior sides match the cabinet finish and interior sides are finished with a natural woodgrain look using our TuffTech finishing system. They are captured into a grooved front face frame and secured using high-strength fasteners and glue.

HINGES

Fully-concealed, 6-way adjustable Soft-Close Hidden Hinges.

CABINET TOPS, BOTTOMS AND FLOORS

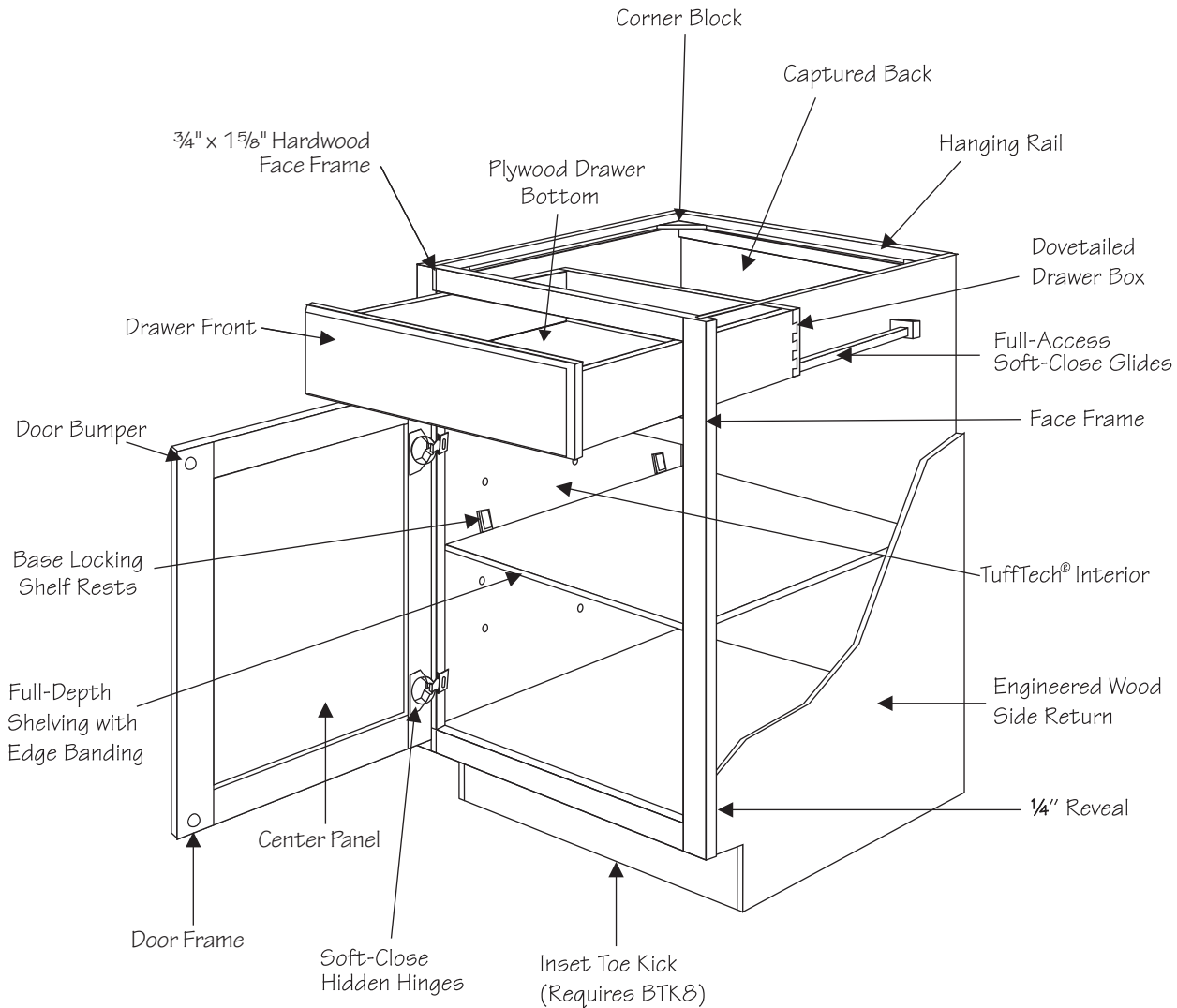
Tops, bottoms and floors are $\frac{1}{2}''$ thick engineered wood. The exteriors and interiors are finished with a natural woodgrain look using our TuffTech finishing system. They are fitted and glued into the cabinet front face frame grooves, then captured in the grooves of the cabinet side panels.

CABINET BACK

The cabinet back is made from $\frac{1}{8}''$ thick hardboard substrate. The inside cabinet surface is finished in a natural woodgrain look using our TuffTech finishing system.

HANGING RAILS

The base hanging rail is $\frac{3}{4}''$ thick hardwood, mortise and tenon joined and glued to the cabinet side panels. The wall cabinet hanging rails are $\frac{1}{2}''$ thick engineered wood, glued and pinned into the cabinet back, cabinet side panels and top/bottom.



DRAWER SYSTEMS

All standard drawers are $\frac{3}{4}$ " thick 21" deep dovetail hardwood with plywood bottoms and Full-Access Soft-Close glides. All drawers meet KCMA load standards of 15 pounds per square foot.

DEEP ROLL OUT TRAYS

Deep Roll Out Trays utilize natural finish dovetail hardwood drawers with MDF bottoms. Trays meet KCMA load standards of 15 pounds per square foot. Deep Roll Out Trays feature Full-Access Soft-Close glides.

CORNER BLOCKS

Corner blocks are attached to help ensure cabinet squareness and allow for proper countertop installation.

CABINET SHELVES

Cabinet shelves are full-depth $\frac{3}{4}$ " thick engineered wood. The shelves are finished in a natural woodgrain look using our TuffTech finishing system and are banded on one side with PVC edge banding. All shelves are adjustable and meet KCMA load standards of 15 pounds per square foot.

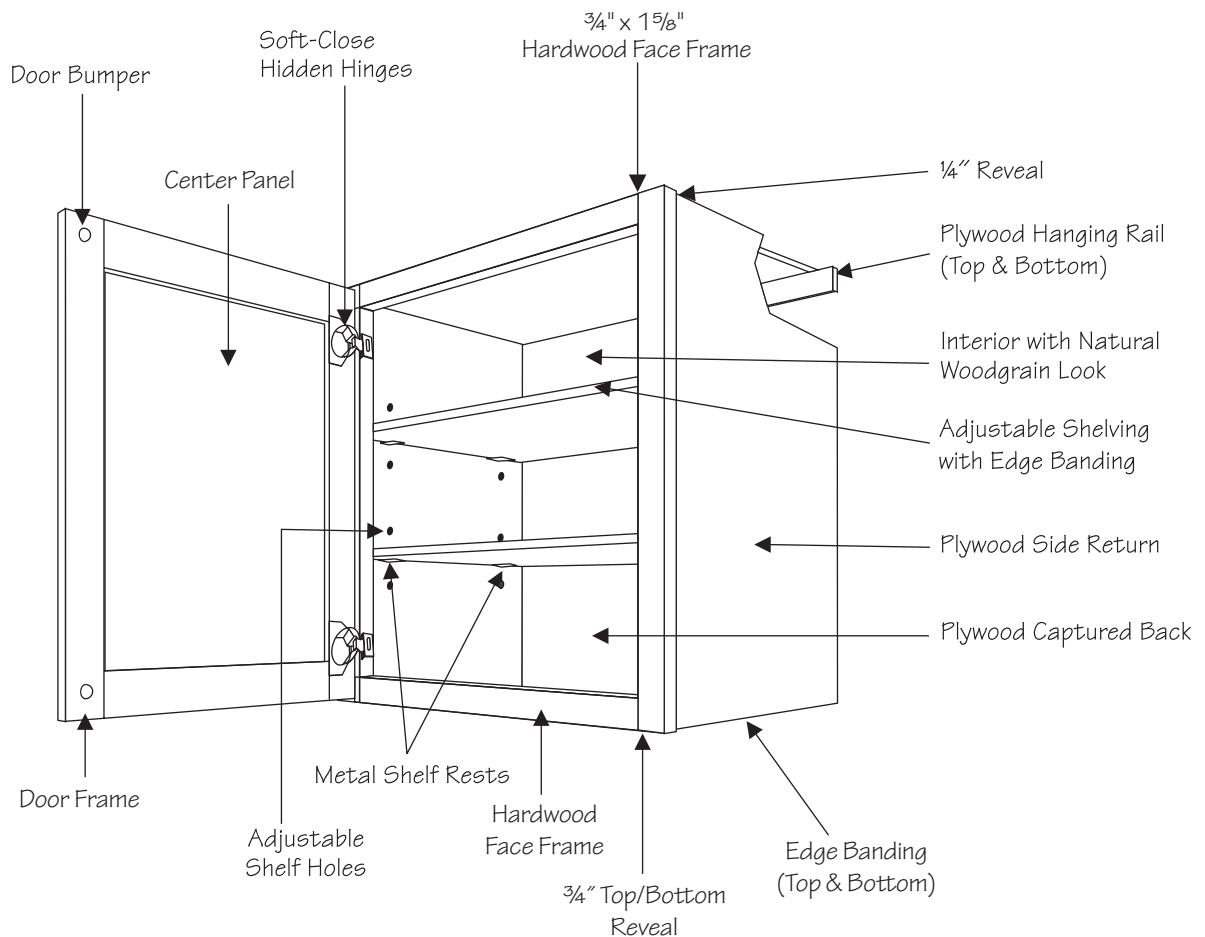
SHELF RESTS

Nickel plated $\frac{1}{4}$ " steel metal shelf rests are standard on all Wall cabinets and Bookshelves. Clear high-strength polycarbonate clip lock shelf rests are standard on all Base, Desk and Tall cabinets. Clip lock shelf rests lock shelves in place, prevent sliding and allow for easy shelf removal.

INSET TOE KICK

Inset toe kicks are constructed of $\frac{1}{2}$ " thick unfinished engineered wood and are 4" high and recessed $3\frac{1}{2}$ ".

BTK8 (matching toe kick) required for installation.



CABINET FRONT FACE FRAMES

Cabinet face frames are made from $\frac{3}{4}'' \times 1\frac{5}{8}''$ solid hardwood, and are kiln-dried to prevent warping and finished with our BeautyGuard finishing system. Face frame joints are precision fixtured, pressure fitted and mechanically fastened.

CABINET SIDE PANELS

Cabinet side panels are $\frac{1}{2}''$ thick plywood. The exterior sides feature our BeautyGuard UV-cured finish and the interior sides are finished with a natural woodgrain look. They are captured into a grooved front face frame and secured using high-strength fasteners and glue.

HINGES

Fully-concealed, 6-way adjustable Soft-Close Hidden Hinges.

CABINET TOPS, BOTTOMS AND FLOORS

Tops, bottoms and floors are $\frac{1}{2}''$ thick plywood. They are finished with natural woodgrain look. They are fitted and glued into the cabinet front face frame grooves, then captured in the grooves of the cabinet side panels.

CABINET BACK

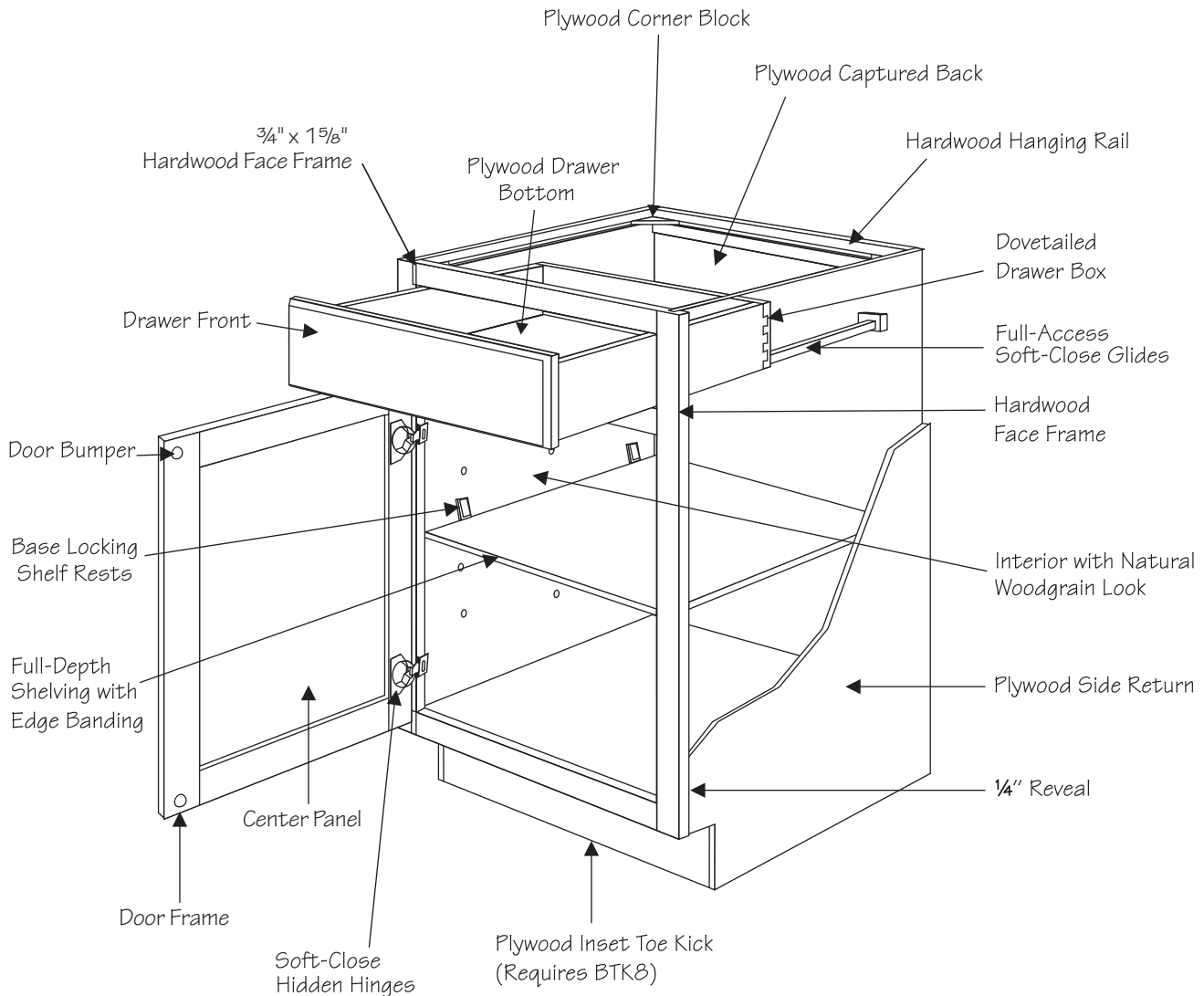
The cabinet back is made from $\frac{1}{8}''$ thick plywood. The inside cabinet surface is finished with natural woodgrain look.

HANGING RAILS

The base hanging rails are $\frac{3}{4}''$ thick hardwood, mortise and tenon joined and glued to the cabinet side panels. The Wall cabinet hanging rails are $\frac{1}{2}''$ thick plywood glued and pinned into the cabinet back, cabinet side panels, and cabinet top and bottom.



Plywood can consist of a combination of veneer and MDF layers to achieve superior product stability and finish quality. Plywood components meet the ANSI/Decorative Hardwoods Association hardwood and decorative plywood standards (www.decorativehardwoods.org).



DRAWER SYSTEMS

All standard drawers are 5/8" thick 21" deep dovetail hardwood with plywood bottoms and Full-Access Soft-Close glides. All drawers meet KCMA load standards of 15 pounds per square foot.

DEEP ROLL OUT TRAYS

Deep Roll Out Trays utilize natural finished dovetail hardwood drawers with laminated MDF bottoms. Trays meet KCMA load standards of 15 pounds per square foot. Deep Roll Out Trays feature Full-Access Soft-Close glides.

CORNER BLOCKS

Corner blocks are made of 1/2" plywood and are attached to help ensure cabinet squareness and allow for proper countertop installation.

CABINET SHELVES

Cabinet shelves are full-depth 3/4" thick plywood. The shelves are finished in a natural woodgrain look and are banded on one side with PVC edge banding. All shelves are adjustable and meet KCMA load standards of 15 pounds per square foot.

SHELF RESTS

Nickel plated 1/4" steel metal shelf rests are standard on all Wall cabinets and Bookshelves. Clear high-strength polycarbonate clip lock shelf rests are standard on all Base, Desk and Tall cabinets. Clip lock shelf rests lock shelves in place, prevent sliding and allow for easy shelf removal.

INSET TOE KICK

Inset Toe Kicks are constructed of 1/2" thick **unfinished** plywood and are 4" high and recessed 3 1/2".

BTK8 (matching toe kick) required for installation.



Plywood can consist of a combination of veneer and MDF layers to achieve superior product stability and finish quality. Plywood components meet the ANSI/Decorative Hardwoods Association hardwood and decorative plywood standards (www.decorativehardwoods.org).

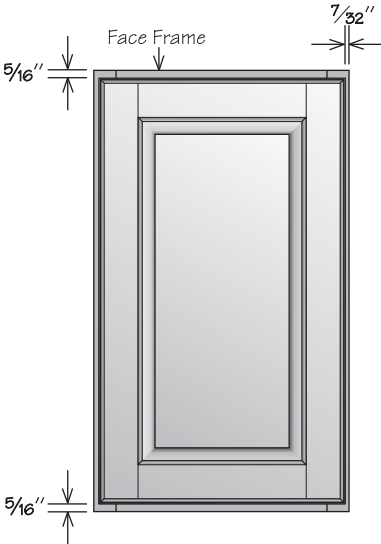
	essential	select	luxury
Drawer Box	18" Deep Dovetail Drawer with MDF Bottom	21" Deep Dovetail Drawer with Plywood Bottom	
Glide	Side-Mounted	Full-Access Soft-Close	
Roll Out Accessories	21" Dovetailed Side-Mounted Glide with MDF Bottom	21" Dovetail Full-Access Soft-Close Glide with MDF Bottom	
Hinge	6-Way Adjustable Hidden Hinge	6-Way Adjustable Soft-Close Hidden Hinge	
Base, Desk and Refrigerator Wall Cabinet Shelves	3/4" Half-Depth Engineered Wood	3/4" Full-Depth Engineered Wood	3/4" Full-Depth Plywood
Wall and Tall Cabinet Shelves	3/4" Full-Depth Engineered Wood		3/4" Full-Depth Plywood
Wall Cabinet Hanging Rail	1/2" Engineered Wood Top and Bottom Rails		1/2" Plywood Top and Bottom Rails
Base Cabinet Hanging Rail	3/4" Hardwood Top Rail 1/2" Engineered Wood Bottom Rail		3/4" Hardwood Top Rail 1/2" Plywood Wood Bottom Rail
Inset Toe Kick	1/2" Engineered Wood		1/2" Plywood
Cabinet Back	1/8" Hardboard Substrate Captured		1/8" Plywood Captured
Cabinet Floor	1/2" Engineered Wood		1/2" Plywood
Wall Cabinet Top, Bottom and Sides	1/2" Engineered Wood		1/2" Plywood
Face Frame	3/4" x 1 5/8" Hardwood Face Frame		
Finishing System for Cabinets with Standard Interior	TuffTech Natural Woodgrain Look		Natural Woodgrain Look
Finishing System for Cabinets with Matching Interior	TuffTech Finish		BeautyGuard Finish
Finishing System for Exterior Cabinet Sides	TuffTech Finish		BeautyGuard Finish



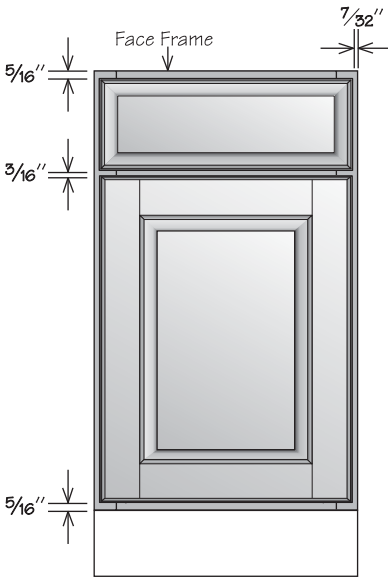
Plywood can consist of a combination of veneer and MDF layers to achieve superior product stability and finish quality. Plywood components meet the ANSI/Decorative Hardwoods Association hardwood and decorative plywood standards (www.decorativehardwoods.org).

Full Overlay Dimensions

Full Overlay (FOL) doors are sized to cover nearly all of the cabinet face frame. To facilitate proper door operation, include at least a 1" filler between the hinged side of Full Overlay door styles and deeper adjacent objects including cabinets, walls, appliances and countertops.

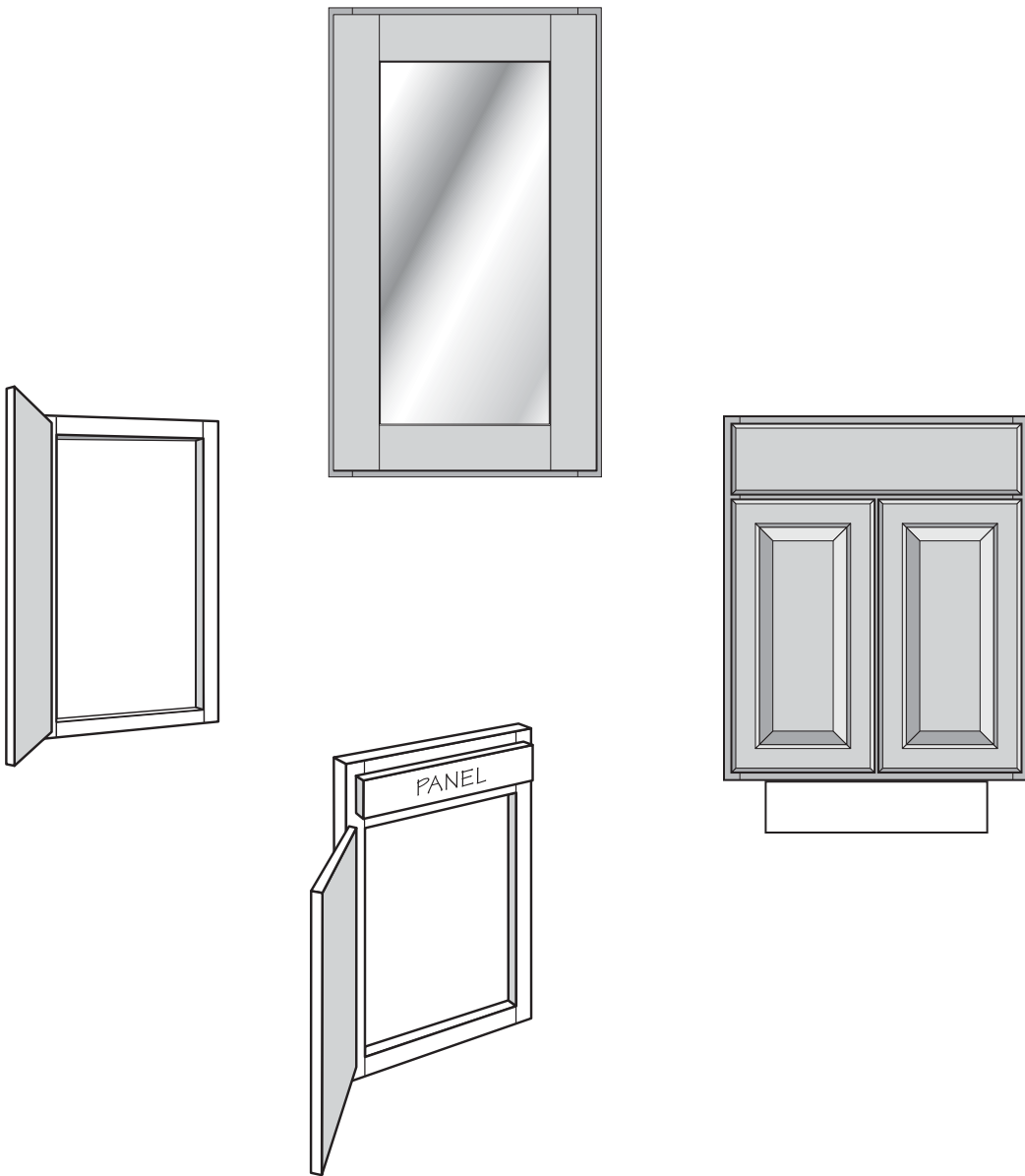


WALL CABINET FRONT



BASE CABINET FRONT

construction options



CONSTRUCTION OPTION	CODE
CABINET FRONT ONLY OPTION	CFO
FURNITURE ENDS OPTION	FE
INCREASED DEPTH CABINET OPTION	ID
MATCHING INTERIOR CABINET OPTION	MI
RECESSED TOE KICK OPTION	RTKL (RECESSED TOE KICK LEFT) RTKR (RECESSED TOE KICK RIGHT) RTKB (RECESSED TOE KICK BOTH)
REDUCED DEPTH CABINET OPTION	RD
VOID DOOR WALL CABINET OPTION - NO MOLDING	VDO-DFH (DRILLED FOR HINGES)
VOID DOOR WALL CABINET OPTIONS – INCLUDING MOLDING	VDO-SAM (SHAKER ACCENT MOLDING) VDO-SBAM (SINGLE BEAD ACCENT MOLDING)
VOID TOP DRAWER OPTION	VTD

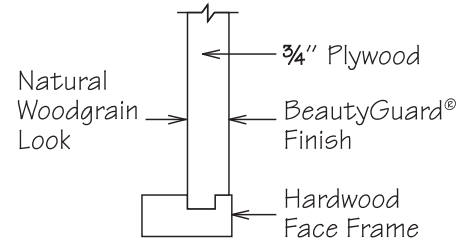
SPECIALTY DOOR (SD) OPTIONS	CODE
ALUMINUM FRAME DOOR - BRUSHED ALUMINUM	AFBA FROSTED
OPEN FRAME DOOR	OFD

Furniture Ends Option (FE)

The Furniture Ends Option converts side panels to 3/4" plywood sides.

SPECIFICATIONS

- For individual cabinets
- Exterior sides are finished to match specific cabinet finish
- Plywood is visible on top and bottom of side panels
- Not available for BEA24 FH Base End Angle or WEA12 Wall End Angle cabinets
- Only the 12" side converts when this option is selected for BEA12 FH cabinets
- End panels are not needed for exposed side(s) of cabinets or for installation of Decorator Matching Doors with the Furniture Ends Option
- Cabinet Angle Molding CAM8 cannot be used with cabinets with the Furniture Ends Option
- Sink Front Return SFR (R/L) with the Furniture Ends Option will include a rabbeted front edge
- A seam will be visible between stacked cabinets and on 93" and 96" Tall cabinets (between the toe kick box and cabinet). Use decorative molding to conceal the seam.
 - ♦ Use OGP8 (Ogee Pilaster Molding) or S3S696 (Finished Solid Stock) as toe molding
- Plywood can consist of a combination of veneer and MDF layers to achieve superior product stability and finish quality. Plywood components meet the ANSI/Decorative Hardwoods Association hardwood and decorative plywood standards (www.decorativehardwoods.org)

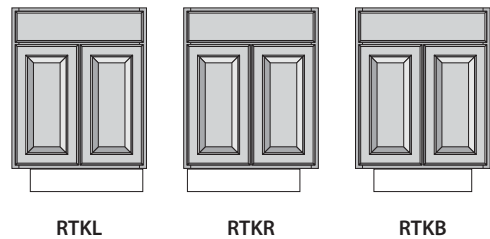
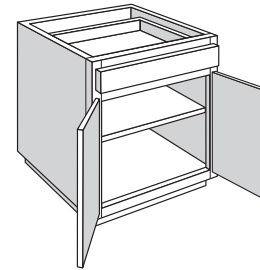


Recessed Toe Kick Option (RTK)

The Recessed Toe Kick Option is available on most Base cabinets (refer to individual cabinet specifications verifying option availability). When the Recessed Toe Kick Option is selected, Left, Right or Both must be specified.

SPECIFICATIONS

- Recommended for cabinets at the end of a run, especially in island and peninsula designs
- All construction packages feature 1/2" thick unfinished plywood toe kick box
- Recessed side(s) are recessed 3 1/2" to match front of cabinet
- Blind Corner Base cabinets (BLB_) are only available with the Recessed Toe Kick Both Option (RTKB)
- BEA12 FH Base End Angle, BPP9 Base Pantry Pull Out, BPPUS9 Base Pantry Pull Out Utensil Storage, BTDP9 Base Tray Divider Pull Out and TB9 Tray Base cabinets are not available with the Recessed Toe Kick Both Option (RTKB)
- Not available for cabinets with the Reduced Depth Cabinet Option of RD-8 and lower
- For Peninsula Base cabinets, the drawer side indicates the front of the cabinet
- Peninsula Base cabinets ordered with Recessed Toe Kick Option must be secured to the floor through the cabinet bottom into bracing secured to the floor
- Base Toe Kick (BTK8) required for front and any exposed side(s)

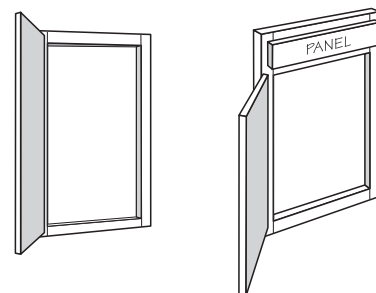


Cabinet Front Only Option (CFO)

The Cabinet Front Only Option is available for most cabinets with a frame (refer to the individual cabinet specifications verifying option availability).

SPECIFICATIONS

- Consists of the cabinet frame, door(s), drawer front(s) and hinges
- Inset toe kick is not included



Reduced Depth Cabinet Option (RD)

Reduced Depth cabinets are available in 1" reductions; minimum cabinet depth is 4". Desk and Vanity cabinets will reduce to standard Reduced Depth increments (i.e. Desk cabinets with RD-18 will measure 18" in depth.)

SPECIFICATIONS

- There is a potential tipping hazard for Reduced Depth cabinets until they are mounted to a wall
- Adjustable shelves are reduced in 1" increments to match Reduced Depth option selected on cabinet(s)
- Adding the Reduced Depth Cabinet Option does not remove adjustable shelves (where applicable)
- Peninsula base cabinets reduced to 11" or less will not have a toe kick
- All cabinets reduced to 5" or less will not have an inset toe kick
- All cabinets reduced to 8" or less are not available with Recessed Toe Kick Option (RTK)
- Reduced Depth minimum for:
 - ✦ Two Drawer Base is 21"
 - ✦ Base End Angle (BEA12 FH) cabinet is 18"
 - ✦ Wall Top Hinge cabinet is 8"
 - ✦ Kneehole Drawer cabinet (KDC) is 12"
 - ✦ 24" Deep Furniture Drawer cabinet is 13"
- When ordering Reduced Depth accessories, specify the depth of the cabinet for which the accessory is intended (i.e. DROT30 RD-21 would be ordered for a B30 BUTT RD-21)

REDUCED DEPTH	DRAWER DEPTH BASE CABINETS	DEEP ROLL OUT TRAY DEPTH	TOE KICK	SHELF
RD-23	18"	18"	YES	YES
RD-22	18"	18"	YES	YES
RD-21	18"	18"	YES	YES
RD-20	15"	15"	YES	YES
RD-19	15"	15"	YES	YES
RD-18	15"	15"	YES	YES
RD-17	12"	12"	YES	YES
RD-16	12"	12"	YES	YES
RD-15	12"	12"	YES	YES
RD-14	9 ⁷ / ₁₆ "	9"	YES	YES
RD-13	9 ⁷ / ₁₆ "	9"	YES	YES
RD-12	9 ⁷ / ₁₆ "	9"	YES	YES
RD-11-6	NO DRAWER	NOT AVAILABLE	YES	YES
RD-5-4	NO DRAWER	NOT AVAILABLE	NO TOE KICK	YES

Increased Depth Cabinet Option (ID)

The Increased Depth Cabinet Option is available for most Wall cabinets and all Bookshelves (refer to individual cabinet specifications for the ID icon verifying this option availability). Increased Depth is offered in 1" increments, up to 24" deep.

INSTALLATION SPECIFICATIONS FOR WALL CABINETS AND BOOKSHELVES

- Maximum Increased Depth for Wall cabinets is 24"
- Adjustable shelves are increased in 1" increments to match Increased Depth Option selected on cabinets
- Wall cabinets increased to more than 18" deep must be stacked, floor mounted or installed over a refrigerator
- All Increased Depth cabinets must be securely attached in one of the following combinations:
 - ◆ To studs in back wall and both sides
 - ◆ To studs in back wall, one side and top (e.g., two adjacent cabinets OR one adjacent cabinet and a wall)

INSTALLATION SPECIFICATIONS FOR PENINSULA WALL AND BLIND PENINSULA WALL CABINETS

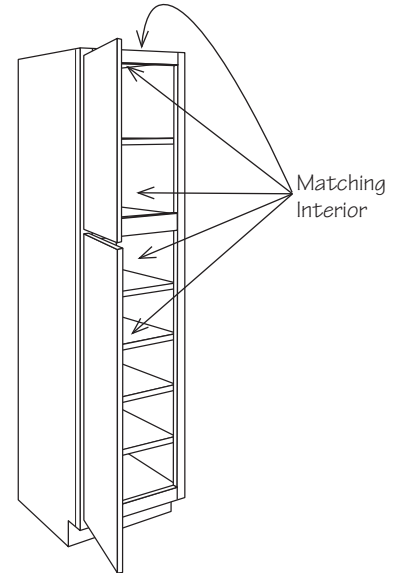
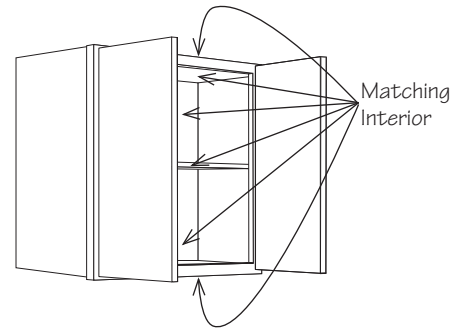
- Increased Depth Peninsula Wall and Blind Peninsula Wall cabinets up to and including 15" deep may be mounted at ceiling height using standard installation procedures
- Peninsula Wall and Blind Peninsula Wall cabinets increased to more than 15" deep must be stacked or floor mounted
- When mounting cabinet at ceiling height, the cabinet must be securely attached to the ceiling rafters and to at least one other properly mounted cabinet or studs in the wall
- Additional 2"X 4" bracing may be required above ceiling if cabinets are not located directly below a rafter
- Mount cabinet to the ceiling using mounting screws of sufficient length to penetrate ceiling treatment and rafter at least 1"
- Screws must be installed at both front and back of cabinet on 16" centers (maximum span), with at least four screws per cabinet

Matching Interior Cabinet Option (MI)

The Matching Interior Cabinet Option is available for Wall, Utility cabinets, Vanity Linen cabinets and Refrigerator Return Panels. This option matches the cabinet's interior to that of the cabinet's exterior sides.

SPECIFICATIONS

- Recommended for Wall cabinets with the Void Door Cabinet Option (VDO)
- All Specialty Door cabinets (SD) feature Matching Interior standard
- Not available for any cabinet with a standard matching interior
- All finished surfaces of the Wall, Utility, and Vanity Linen cabinets will be color matched including shelves, back, interior and exterior of returns, top and bottom, Corner Wall back post and back side of Peninsula Wall face frames
- Interior accessories in Matching Interior cabinets (e.g. Spice Rack Kit, Deep Roll Out Trays) will remain natural finish
- **essential** and **select** construction packages feature two-sided engineered wood with TuffTech finished to match cabinet exterior
- **luxury** construction package features two-sided plywood finished to match cabinet exterior

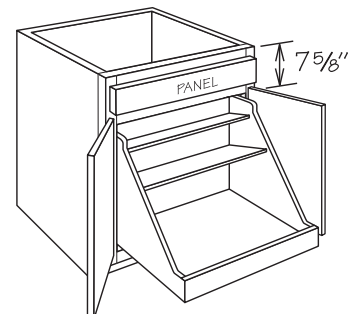
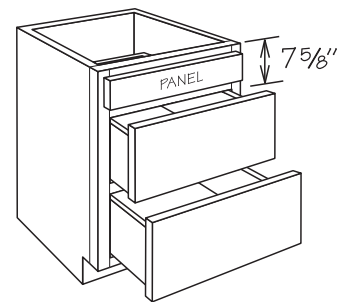


Void Top Drawer Option (VTD)

The Void Top Drawer Option is available for most 3 Drawer Base, 4 Drawer Base, Base with Deep Roll Out Trays, Base with Pot & Pan Organizer and Peninsula Base cabinets (refer to individual cabinet specifications for the VTD icon verifying this option availability).

SPECIFICATIONS

- This option removes the drawer body and glide system and replaces it with a false panel on any top drawer(s)
- On cabinets with multiple top drawers, all top drawers will be voided
- When used with a drop-in appliance, there is a height clearance of $7\frac{5}{8}$ " from the top of the cabinet to the top of the door/drawer opening below the voided drawer. Removal of the top rail is not recommended.
- Subtract $1\frac{1}{2}$ " from width and depth for available top opening. Removal of corner blocks may be required.
- Refer to appliance manufacturer's specifications for adequate clearances and required installation materials.



Void Door Cabinet Option (VDO)

The Void Door Cabinet Option is available for most Wall cabinets.

SPECIFICATIONS

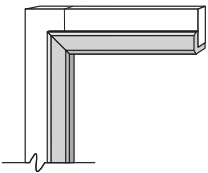
- Door(s) and hinges are not included
- Center stiles remain, where applicable
- Cabinet stiles are pre-drilled for door hinges
- Decorative Accent Molding options are available to conceal hinge holes to create decorative open cabinets
- Molding must be trimmed and field installed
- Matching Interior Cabinet Option (MI) must be ordered separately

VOID DOOR CABINET OPTION – NO MOLDING

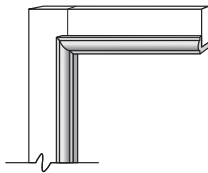
- VDO-DFH (Drilled For Hinges)

VOID DOOR CABINET OPTION – INCLUDING MOLDING

- VDO-SAM (Shaker Accent Molding)
- VDO-SBAM (Single Bead Accent Molding)



VDO-SAM
Shaker Accent
Molding



VDO-SBAM
Single Bead Accent
Molding

Specialty Door Cabinets

Specialty Door cabinets are available for most Wall, Utility, and Vanity Linen cabinet sizes. All Specialty Door cabinets include Matching Interior as standard (see page 40 for Matching Interior construction) and require one of the specialty door options below. Specialty door options for Utility and Vanity Linen cabinets apply to top door(s) only.

OPEN FRAME DOOR (OFD) NOTES:

- Features door frame only with no mullions or center panel.
- Decorative Glass Inserts and appropriate glass clips are shipped separately from the cabinet for field installation – see pages 44-45 for available Glass Inserts.

ALUMINUM FRAME DOOR (AFBA) NOTES:

- Door stiles and rails are 2 1/8" mitered aluminum with Brushed Aluminum frame with Frosted Glass.
- Frosted Glass is factory installed and non-removable.
- Glass panels are tempered for safety with etched finish.

Specialty Door Availability by Door Size

CABINET DOOR WIDTH	CABINET HEIGHT													
	12" HIGH WALL	15" HIGH WALL	18" HIGH WALL	21" HIGH WALL	24" HIGH WALL	27" HIGH WALL	30" HIGH WALL	36" HIGH WALL	39" HIGH WALL	42" HIGH WALL	84" HIGH UTILITY OR VANITY LINEN	90" HIGH UTILITY	93" HIGH UTILITY	96" HIGH UTILITY
12" WIDE					•		•	•	•	•				
12" WIDE BUTT			•		•		•	•	•	•	•	•	•	•
13" WIDE BUTT			•		•		•	•	•	•				
15" WIDE					•		•	•	•	•	•	•	•	•
15" WIDE BUTT	•	•	•	•	•	•	•	•	•	•	•	•	•	•
16" WIDE BUTT	•	•	•	•	•		•	•	•	•				
18" WIDE			•		•		•	•	•	•	•	•	•	•
18" WIDE BUTT	•	•	•	•	•		•	•	•	•	•	•	•	•
19" WIDE	•	•	•	•										
21" WIDE			•		•		•	•	•	•				
30" WIDE		■	■											
36" WIDE		■	■											

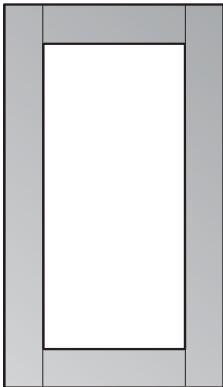
- Available with all Specialty Door options
- Available for Wall Top Hinge (WTH) cabinets only

Brushed Aluminum Frame Door Option with Frosted Glass (AFBA)

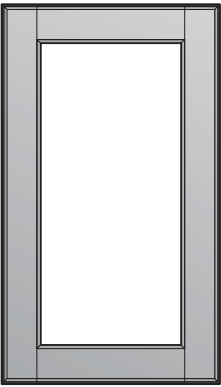


Profile for all AFBA Aluminum Frame Doors

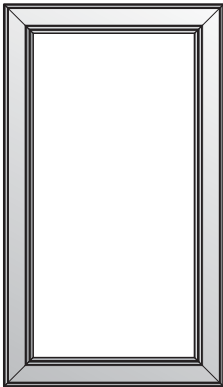
Open Frame Door Option (OFD)



OFD Profile for
AVELEY
PORT
TENLEY
STONEWALL



OFD Profile for
ANNSCROFT
BICKERSHIRE
PATINGHAM



OFD Profile for
BRAMBLETON
DAWLEY
TUCKHILL

CLEAR GLASS



Clear Glass Detail

NOTES

- 1/8" thick panel
- Tempered safety glass
- Includes appropriate Glass Insert Clips

DERBYSHIRE SEEDED GLASS

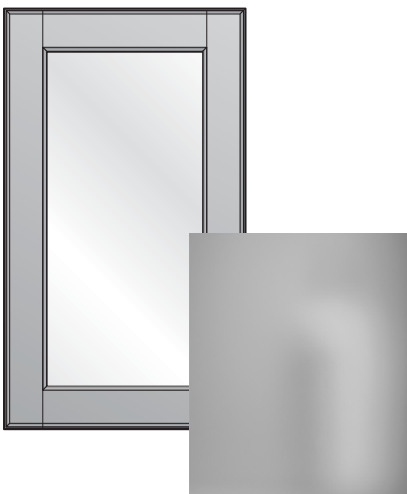


Derbyshire Seeded
Glass Detail

NOTES

- 5/16" thick panel
- Clear glass with seed-like design
- Laminated safety glass
- Includes appropriate Glass Insert Clips

FROSTED GLASS



Frosted Glass Detail

NOTES

- 1/8" thick panel
- Frosted glass
- Tempered safety glass
- Includes appropriate Glass Insert Clips

MEREDITH GLASS



Meredith Glass Detail

NOTES

- 1/4" overall thickness (1/8" beveled edge thickness)
- Clear glass with 1 1/4" wide beveled edges
- Tempered safety glass
- Includes appropriate Glass Insert Clips

RIBBED GLASS

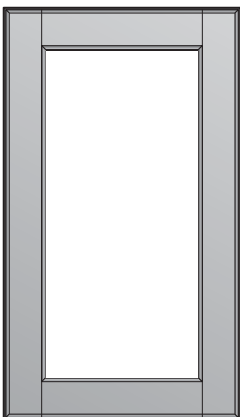


Ribbed Glass Detail

NOTES

- 1/8" thick panel
- Clear glass with rib-like design
- Tempered safety glass
- Includes appropriate Glass Insert Clips
- **Not available for Wall Top Hinge Cabinets**

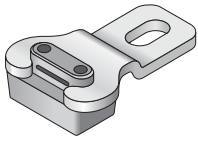
PREPPED FOR GLASS



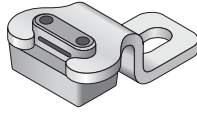
NOTES

- For customer installed inserts up to 1/4" thick
- Glass Insert Clips must be ordered separately - see page 46

Glass Insert Clips



CLIP DGI 1/8



CLIP DGI 5/16

SKU

CLIP DGI 1/8

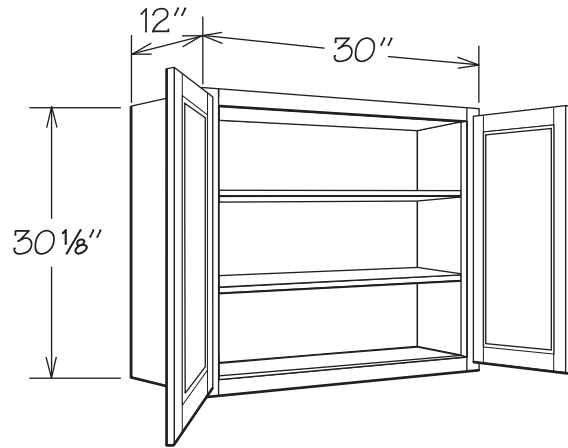
CLIP DGI 5/16

NOTES

- For installation of Decorative Glass Inserts
- Order one bag (six clips) per door

GLASS INSERT	CLIP DGI 1/8	CLIP DGI 5/16
CLEAR	•	
DERBYSHIRE		•
FROSTED	•	
MEREDITH	•	
RIBBED	•	

wall cabinets



AVAILABLE OPTIONS

- CFO** Cabinet Front Only
- FE** Furniture Ends
- ID** Increased Depth
- MI** Matching Interior
- RD** Reduced Depth
- VDO** Void Door Option

DIMENSIONS

WIDTH	HEIGHT	DEPTH
9" to 39"	12" to 42"	Standard 12" or 24"

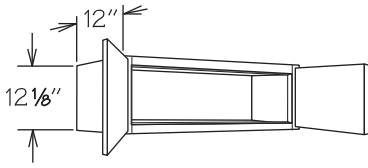
SKU CODING

W	30	30	BUTT
Cabinet Type	Width in Inches	Height in Inches	Door Type

AVAILABLE SPECIALTY DOOR (SD) CABINET OPTIONS

- AFBA** Aluminum Frame Door
- OFD** Open Frame Door

Wall • 12" High • 2 Butt Doors

**SKU**

W3012 BUTT

W3312 BUTT

W3612 BUTT

W3012 BUTT SD ▲

W3312 BUTT SD ▲

W3612 BUTT SD ▲

OPTIONS

CFO

FE

ID

MI ▲

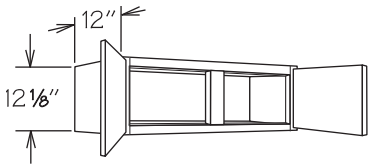
RD

VDO ▲

NOTES

- No shelf
- Not drilled for adjustable shelf
- Specialty Door (SD) cabinets feature matching interior standard
- Options marked with a ▲ are not available for selected SKUs

Wall • 12" High • 2 Doors

**SKU**

W3912

W3912 SD ▲

OPTIONS

CFO

FE

MI ▲

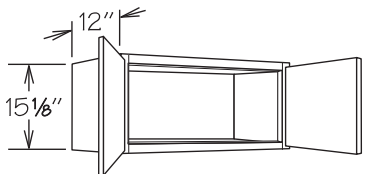
RD

VDO ▲

NOTES

- No shelf
- Not drilled for adjustable shelf
- Specialty Door (SD) cabinets feature matching interior standard
- Options marked with a ▲ are not available for selected SKUs

Wall • 15" High • 2 Butt Doors

**SKU**

W3015 BUTT

W3315 BUTT

W3615 BUTT

W3015 BUTT SD ▲

W3315 BUTT SD ▲

W3615 BUTT SD ▲

OPTIONS

CFO

FE

ID

MI ▲

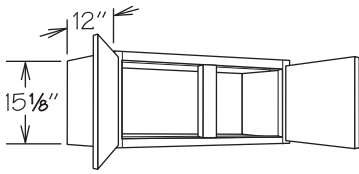
RD

VDO ▲

NOTES

- No shelf
- Not drilled for adjustable shelf
- Specialty Door (SD) cabinets feature matching interior standard
- Options marked with a ▲ are not available for selected SKUs

Wall • 15" High • 2 Doors



SKU

W3915

W3915 SD ▲

OPTIONS

CFO

FE

MI ▲

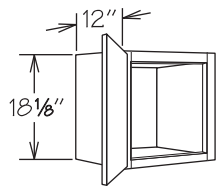
RD

VDO ▲

NOTES

- No shelf
- Not drilled for adjustable shelf
- Specialty Door (SD) cabinets feature matching interior standard
- Options marked with a ▲ are not available for selected SKUs

Wall • 18" High • 1 Door



SKU

W1218

W1518

W1818

W2118

W1218 SD ▲

W1518 SD ▲

W1818 SD ▲

W2118 SD ▲

OPTIONS

CFO

FE

ID

MI ▲

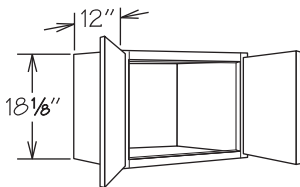
RD

VDO ▲

NOTES

- No shelf
- Not drilled for adjustable shelf
- Specialty Door (SD) cabinets feature matching interior standard
- Options marked with a ▲ are not available for selected SKUs

Wall • 18" High • 2 Butt Doors



SKU

W2418 BUTT

W2718 BUTT

W3018 BUTT

W3318 BUTT

W3618 BUTT

W2418 BUTT SD ▲

W2718 BUTT SD ▲

W3018 BUTT SD ▲

W3318 BUTT SD ▲

W3618 BUTT SD ▲

OPTIONS

CFO

FE

ID

MI ▲

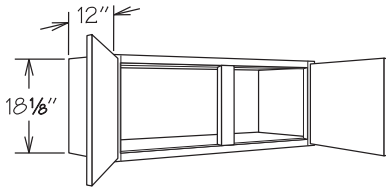
RD

VDO ▲

NOTES

- No shelf
- Not drilled for adjustable shelf
- Specialty Door (SD) cabinets feature matching interior standard
- Options marked with a ▲ are not available for selected SKUs

Wall • 18" High • 2 Doors



SKU

W3918

W3918 SD ▲

OPTIONS

CFO

FE

MI ▲

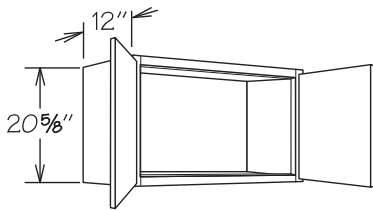
RD

VDO ▲

NOTES

- No shelf
- Not drilled for adjustable shelf
- Specialty Door (SD) cabinets feature matching interior standard
- Options marked with a ▲ are not available for selected SKUs

Wall • 21" High • 2 Butt Doors



SKU

W3021 BUTT

W3321 BUTT

W3621 BUTT

W3021 BUTT SD ▲

W3321 BUTT SD ▲

W3621 BUTT SD ▲

OPTIONS

CFO

FE

ID

MI ▲

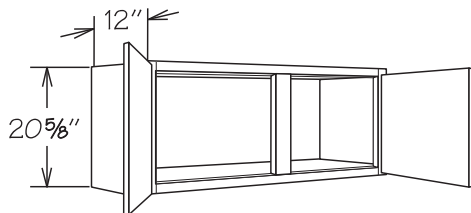
RD

VDO ▲

NOTES

- No shelf
- Not drilled for adjustable shelf
- Specialty Door (SD) cabinets feature matching interior standard
- Options marked with a ▲ are not available for selected SKUs

Wall • 21" High • 2 Doors



SKU

W3921

W3921 SD ▲

OPTIONS

CFO

FE

MI ▲

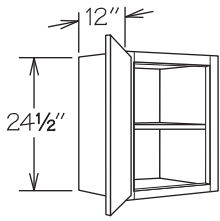
RD

VDO ▲

NOTES

- No shelf
- Not drilled for adjustable shelf
- Specialty Door (SD) cabinets feature matching interior standard
- Options marked with a ▲ are not available for selected SKUs

Wall • 24" High • 1 Door



SKU

W1224
W1524
W1824
W2124

W1224 SD ▲
W1524 SD ▲
W1824 SD ▲
W2124 SD ▲

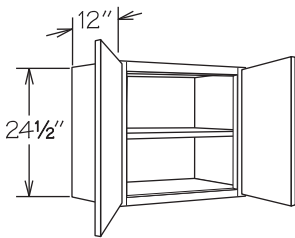
OPTIONS

CFO
FE
ID
MI ▲
RD
VDO ▲

NOTES

- 1 adjustable shelf
- Specialty Door (SD) cabinets feature matching interior standard
- Options marked with a ▲ are not available for selected SKUs

Wall • 24" High • 2 Butt Doors



SKU

W2424 BUTT
W2724 BUTT
W3024 BUTT
W3324 BUTT
W3624 BUTT

W2424 BUTT SD ▲
W2724 BUTT SD ▲
W3024 BUTT SD ▲
W3324 BUTT SD ▲
W3624 BUTT SD ▲

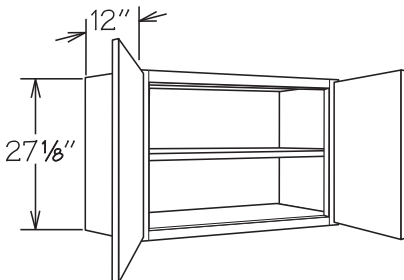
OPTIONS

CFO
FE
ID
MI ▲
RD
VDO ▲

NOTES

- 1 adjustable shelf
- Specialty Door (SD) cabinets feature matching interior standard
- Options marked with a ▲ are not available for selected SKUs

Wall • 27" High • 2 Butt Doors



SKU

W3027 BUTT
W3027 BUTT SD ▲

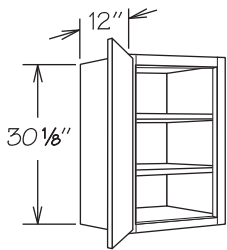
OPTIONS

CFO
FE
ID
MI ▲
RD
VDO ▲

NOTES

- 1 adjustable shelf
- Specialty Door (SD) cabinets feature matching interior standard
- Options marked with a ▲ are not available for selected SKUs

Wall • 30" High • 1 Door



SKU

W930
W1230
W1530
W1830
W2130
W2430

W1230 SD ▲
W1530 SD ▲
W1830 SD ▲
W2130 SD ▲

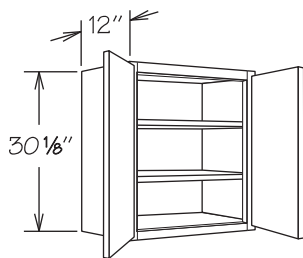
OPTIONS

CFO
FE
ID
MI ▲
RD
VDO ▲

NOTES

- 2 adjustable shelves
- Specialty Door (SD) cabinets feature matching interior standard
- Options marked with a ▲ are not available for selected SKUs

Wall • 30" High • 2 Butt Doors



SKU

W2430 BUTT
W2730 BUTT
W3030 BUTT
W3330 BUTT
W3630 BUTT

W2430 BUTT SD ▲
W2730 BUTT SD ▲
W3030 BUTT SD ▲
W3330 BUTT SD ▲
W3630 BUTT SD ▲

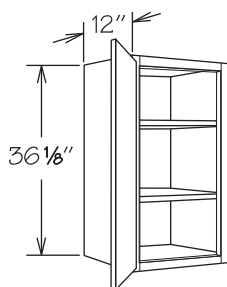
OPTIONS

CFO
FE
ID
MI ▲
RD
VDO ▲

NOTES

- 2 adjustable shelves
- Specialty Door (SD) cabinets feature matching interior standard
- Options marked with a ▲ are not available for selected SKUs

Wall • 36" High • 1 Door



SKU

W936
W1236
W1536
W1836
W2136
W2436

W1236 SD ▲
W1536 SD ▲
W1836 SD ▲
W2136 SD ▲

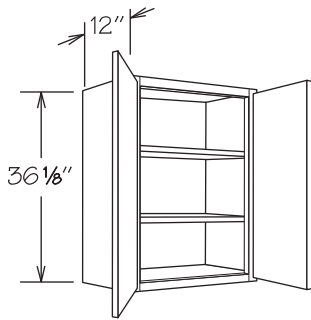
OPTIONS

CFO
FE
ID
MI ▲
RD
VDO ▲

NOTES

- 2 adjustable shelves
- Specialty Door (SD) cabinets feature matching interior standard
- Options marked with a ▲ are not available for selected SKUs

Wall • 36" High • 2 Butt Doors



SKU

- W2436 BUTT
- W2736 BUTT
- W3036 BUTT
- W3336 BUTT
- W3636 BUTT

- W2436 BUTT SD ▲
- W2736 BUTT SD ▲
- W3036 BUTT SD ▲
- W3336 BUTT SD ▲
- W3636 BUTT SD ▲

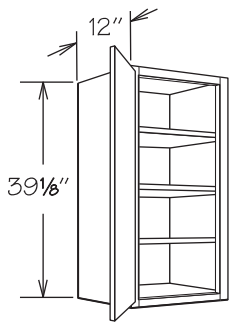
OPTIONS

CFO
FE
ID
MI ▲
RD
VDO ▲

NOTES

- 2 adjustable shelves
- Specialty Door (SD) cabinets feature matching interior standard
- Options marked with a ▲ are not available for selected SKUs

Wall • 39" High • 1 Door



SKU

- W939
- W1239
- W1539
- W1839
- W2139
- W2439

- W1239 SD ▲
- W1539 SD ▲
- W1839 SD ▲
- W2139 SD ▲

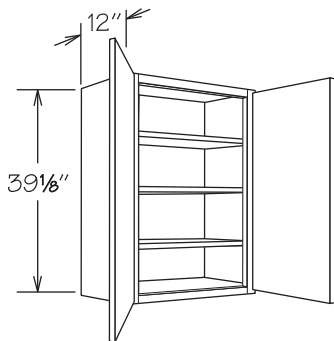
OPTIONS

CFO
FE
ID
MI ▲
RD
VDO ▲

NOTES

- 3 adjustable shelves
- Specialty Door (SD) cabinets feature matching interior standard
- Options marked with a ▲ are not available for selected SKUs

Wall • 39" High • 2 Butt Doors



SKU

- W2439 BUTT
- W2739 BUTT
- W3039 BUTT
- W3339 BUTT
- W3639 BUTT

- W2439 BUTT SD ▲
- W2739 BUTT SD ▲
- W3039 BUTT SD ▲
- W3339 BUTT SD ▲
- W3639 BUTT SD ▲

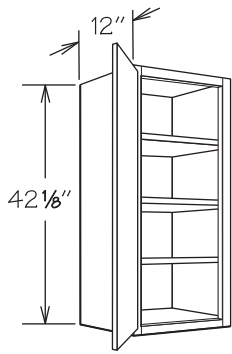
OPTIONS

CFO
FE
ID
MI ▲
RD
VDO ▲

NOTES

- 3 adjustable shelves
- Specialty Door (SD) cabinets feature matching interior standard
- Options marked with a ▲ are not available for selected SKUs

Wall • 42" High • 1 Door

**SKU**

W942

W1242

W1542

W1842

W2142

W2442

W1242 SD ▲

W1542 SD ▲

W1842 SD ▲

W2142 SD ▲

OPTIONS

CFO

FE

ID

MI ▲

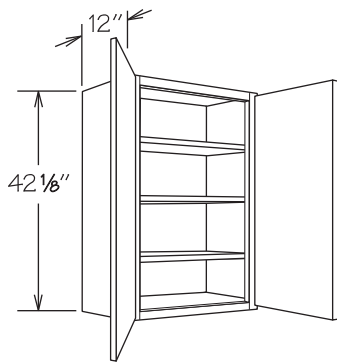
RD

VDO ▲

NOTES

- 3 adjustable shelves
- Specialty Door (SD) cabinets feature matching interior standard
- Options marked with a ▲ are not available for selected SKUs

Wall • 42" High • 2 Butt Doors

**SKU**

W2442 BUTT

W2742 BUTT

W3042 BUTT

W3342 BUTT

W3642 BUTT

W2442 BUTT SD ▲

W2742 BUTT SD ▲

W3042 BUTT SD ▲

W3342 BUTT SD ▲

W3642 BUTT SD ▲

OPTIONS

CFO

FE

ID

MI ▲

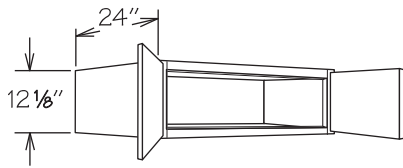
RD

VDO ▲

NOTES

- 3 adjustable shelves
- Specialty Door (SD) cabinets feature matching interior standard
- Options marked with a ▲ are not available for selected SKUs

Wall Refrigerator • 12" High x 24" Deep • 2 Butt Doors



SKU

W3012 X 24 DP BUTT

W3312 X 24 DP BUTT

W3612 X 24 DP BUTT

W3012 X 24 DP BUTT SD ▲

W3312 X 24 DP BUTT SD ▲

W3612 X 24 DP BUTT SD ▲

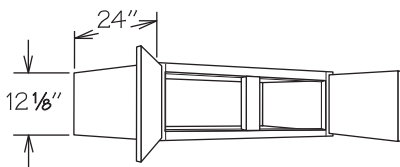
OPTIONS

CFO	
FE	
MI	▲
RD	
VDO	▲

NOTES

- No shelf
- Not drilled for adjustable shelf
- Specialty Door (SD) cabinets feature matching interior standard
- Options marked with a ▲ are not available for selected SKUs

Wall Refrigerator • 12" High x 24" Deep • 2 Doors



SKU

W3912 X 24 DP

W3912 X 24 DP SD ▲

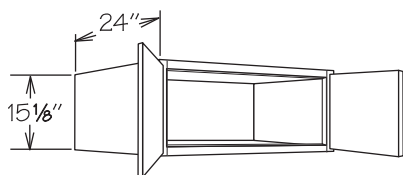
OPTIONS

CFO	
FE	
MI	▲
RD	
VDO	▲

NOTES

- No shelf
- Not drilled for adjustable shelf
- Specialty Door (SD) cabinets feature matching interior standard
- Options marked with a ▲ are not available for selected SKUs

Wall Refrigerator • 15" High x 24" Deep • 2 Butt Doors



SKU

W3015 X 24 DP BUTT

W3315 X 24 DP BUTT

W3615 X 24 DP BUTT

W3015 X 24 DP BUTT SD ▲

W3315 X 24 DP BUTT SD ▲

W3615 X 24 DP BUTT SD ▲

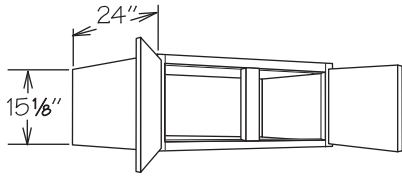
OPTIONS

CFO	
FE	
MI	▲
RD	
VDO	▲

NOTES

- No shelf
- Not drilled for adjustable shelf
- Specialty Door (SD) cabinets feature matching interior standard
- Options marked with a ▲ are not available for selected SKUs

Wall Refrigerator • 15" High x 24" Deep • 2 Doors

**SKU**

W3915 X 24 DP

W3915 X 24 DP SD ▲

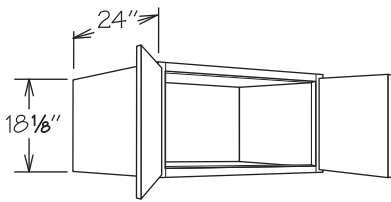
OPTIONS

CFO
FE
MI ▲
RD
VDO ▲

NOTES

- No shelf
- Not drilled for adjustable shelf
- Specialty Door (SD) cabinets feature matching interior standard
- Options marked with a ▲ are not available for selected SKUs

Wall Refrigerator • 18" High x 24" Deep • 2 Butt Doors

**SKU**

W3018 X 24 DP BUTT

W3318 X 24 DP BUTT

W3618 X 24 DP BUTT

W3018 X 24 DP BUTT SD ▲

W3318 X 24 DP BUTT SD ▲

W3618 X 24 DP BUTT SD ▲

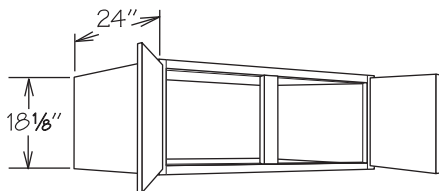
OPTIONS

CFO
FE
MI ▲
RD
VDO ▲

NOTES

- No shelf
- Not drilled for adjustable shelf
- Specialty Door (SD) cabinets feature matching interior standard
- Options marked with a ▲ are not available for selected SKUs

Wall Refrigerator • 18" High x 24" Deep • 2 Doors

**SKU**

W3918 X 24 DP

W3918 X 24 DP SD ▲

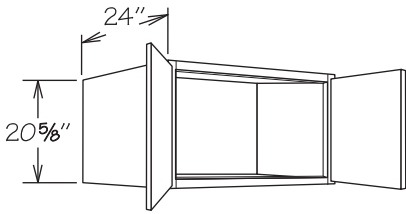
OPTIONS

CFO
FE
MI ▲
RD
VDO ▲

NOTES

- No shelf
- Not drilled for adjustable shelf
- Specialty Door (SD) cabinets feature matching interior standard
- Options marked with a ▲ are not available for selected SKUs

Wall Refrigerator • 21" High x 24" Deep • 2 Butt Doors



SKU

W3021 X 24 DP BUTT
W3321 X 24 DP BUTT
W3621 X 24 DP BUTT
W3021 X 24 DP BUTT SD ▲
W3321 X 24 DP BUTT SD ▲
W3621 X 24 DP BUTT SD ▲

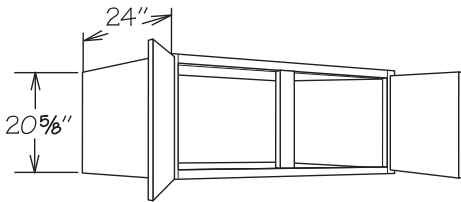
OPTIONS

CFO
FE
MI ▲
RD
VDO ▲

NOTES

- No shelf
- Not drilled for adjustable shelf
- Specialty Door (SD) cabinets feature matching interior standard
- Options marked with a ▲ are not available for selected SKUs

Wall Refrigerator • 21" High x 24" Deep • 2 Doors



SKU

W3921 x 24 DP
W3921 x 24 DP SD ▲

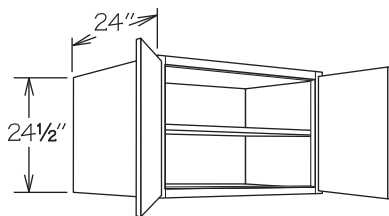
OPTIONS

CFO
FE
MI ▲
RD
VDO ▲

NOTES

- No shelf
- Not drilled for adjustable shelf
- Specialty Door (SD) cabinets feature matching interior standard
- Options marked with a ▲ are not available for selected SKUs

Wall Refrigerator • 24" High x 24" Deep • 2 Butt Doors



SKU

W3024 X 24 DP BUTT
W3324 X 24 DP BUTT
W3624 X 24 DP BUTT
W3024 X 24 DP BUTT SD ▲
W3324 X 24 DP BUTT SD ▲
W3624 X 24 DP BUTT SD ▲

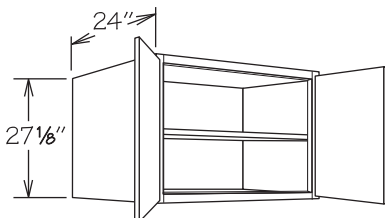
OPTIONS

CFO
FE
MI ▲
RD
VDO ▲

NOTES

- 1 adjustable shelf
- **essential** construction features half-depth shelf
- Specialty Door (SD) cabinets feature matching interior standard
- Options marked with a ▲ are not available for selected SKUs

Wall Refrigerator • 27" High x 24" Deep • 2 Butt Doors



SKU

W3027 X 24 DP BUTT
W3027 X 24 DP BUTT SD ▲

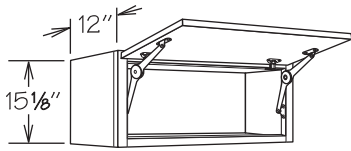
OPTIONS

CFO
FE
MI ▲
RD
VDO ▲

NOTES

- 1 adjustable shelf
- **essential** construction features half-depth shelf
- Specialty Door (SD) cabinets feature matching interior standard
- Options marked with a ▲ are not available for selected SKUs

Wall Top Hinge • 15" High • 1 Door

**SKU**

WTH3015

WTH3615

WTH3015 SD ▲

WTH3615 SD ▲

OPTIONS

FE

ID

MI ▲

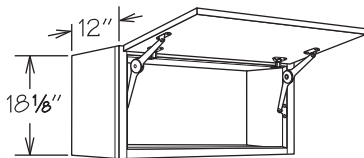
RD

VDO ▲

NOTES

- No shelf
- Features one pair of factory installed, field adjustable door stays that support door securely at any angle up to 105 degrees
- Cabinet can be flipped to open downwards and door stay can be adjusted to support door
- Rail and stile configuration and insert panel grain direction will differ from standard wall cabinets
- Specialty Door (SD) cabinets feature matching interior standard
- Options marked with a ▲ are not available for selected SKUs

Wall Top Hinge • 18" High • 1 Door

**SKU**

WTH3018

WTH3618

WTH3018 SD ▲

WTH3618 SD ▲

OPTIONS

FE

ID

MI ▲

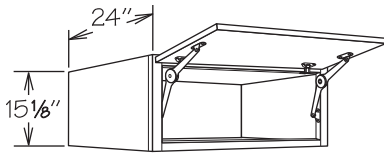
RD

VDO ▲

NOTES

- No shelf
- Features one pair of factory installed, field adjustable door stays that support door securely at any angle up to 105 degrees
- Cabinet can be flipped to open downwards and door stay can be adjusted to support door
- Rail and stile configuration and insert panel grain direction will differ from standard wall cabinets
- Specialty Door (SD) cabinets feature matching interior standard
- Options marked with a ▲ are not available for selected SKUs

Wall Top Hinge • 15" High x 24" Deep • 1 Door



SKU

- WTH3015 X 24 DP
- WTH3615 X 24 DP
- WTH3015 X 24 DP SD ▲
- WTH3615 X 24 DP SD ▲

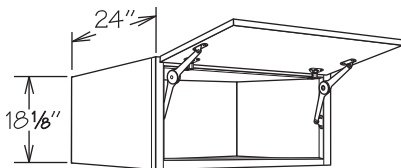
OPTIONS

FE	
MI	▲
RD	
VDO	▲

NOTES

- No shelf
- Features one pair of factory installed, field adjustable door stays that support door securely at any angle up to 105 degrees
- Cabinet can be flipped to open downwards and door stay can be adjusted to support door
- Rail and stile configuration and insert panel grain direction will differ from standard wall cabinets
- Specialty Door (SD) cabinets feature matching interior standard
- Options marked with a ▲ are not available for selected SKUs

Wall Top Hinge • 18" High x 24" Deep • 1 Door



SKU

- WTH3018 X 24 DP
- WTH3618 X 24 DP
- WTH3018 X 24 DP SD ▲
- WTH3618 X 24 DP SD ▲

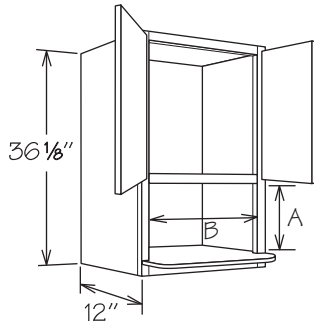
OPTIONS

FE	
MI	▲
RD	
VDO	▲

NOTES

- No shelf
- Features one pair of factory installed, field adjustable door stays that support door securely at any angle up to 105 degrees
- Cabinet can be flipped to open downwards and door stay can be adjusted to support door
- Rail and stile configuration and insert panel grain direction will differ from standard wall cabinets
- Specialty Door (SD) cabinets feature matching interior standard
- Options marked with a ▲ are not available for selected SKUs

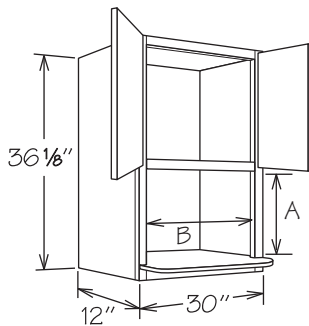
Wall Compact Microwave • 36" High • 2 Butt Doors



SKU	Lower Frame Opening A	Lower Frame Opening B	Shelf Depth
WCMSC241236 BUTT	15 5/8"	20 3/4"	17 3/4"
WCMSC271236 BUTT	15 5/8"	23 3/4"	17 3/4"

OPTIONS	NOTES
FE	● Cabinet interior and microwave shelf opening finished to match cabinet exterior
RD	● 3/4" plywood removable microwave shelf finished to match cabinet exterior included for all construction packages - not field trimmable
VDO	● Designed to accommodate countertop style microwave
	● Unit must be installed between two adjacent cabinets or one cabinet and wall
	● Not drilled for adjustable shelf
	● Refer to appliance manufacturer's specifications for adequate clearances

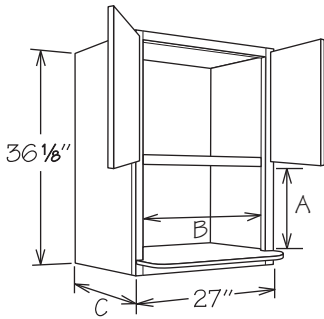
Wall Microwave • 36" High • 2 Butt Doors



SKU	Lower Frame Opening A	Lower Frame Opening B	Shelf Depth
WMSC301236 BUTT	18 5/8"	26 3/4"	17 3/4"

OPTIONS	NOTES
FE	● Cabinet interior and microwave shelf opening finished to match cabinet exterior
RD	● 3/4" plywood removable microwave shelf finished to match cabinet exterior included for all construction packages - not field trimmable
VDO	● Designed to accommodate countertop style microwave
	● Unit must be installed between two adjacent cabinets or one cabinet and wall
	● Not drilled for adjustable shelf
	● Refer to appliance manufacturer's specifications for adequate clearances

Wall Microwave • 36" High • 2 Butt Doors



SKU		Lower Frame Opening A	Lower Frame Opening B	C Depth	Shelf Depth
WMSC271236	BUTT	18 5/8"	23 3/4"	12"	17 3/4"
WMSC271836	BUTT	18 5/8"	23 3/4"	18"	23 3/4"

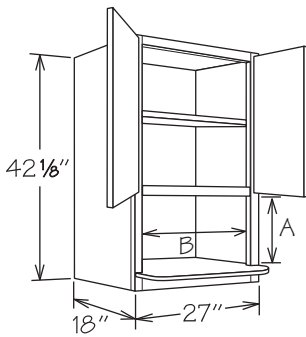
OPTIONS

FE
RD
VDO

NOTES

- Cabinet interior and microwave shelf opening finished to match cabinet exterior
- 3/4" plywood removable microwave shelf finished to match cabinet exterior included for all construction packages - not field trimmable
- Designed to accommodate countertop style microwave
- Unit must be installed between two adjacent cabinets or one cabinet and wall
- Not drilled for adjustable shelf
- **Refer to appliance manufacturer's specifications for adequate clearances**

Wall Microwave • 42" High • 2 Butt Doors



SKU		Lower Frame Opening A	Lower Frame Opening B	Shelf Depth
WMSC271842	BUTT	15 1/4"	23 3/4"	23 3/4"

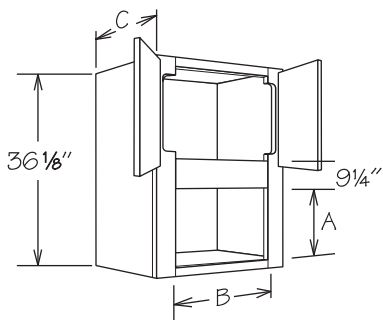
OPTIONS

FE
RD
VDO

NOTES

- Cabinet interior, microwave shelf opening and one adjustable shelf finished to match cabinet exterior
- 3/4" plywood removable microwave shelf finished to match cabinet exterior included for all construction packages - not field trimmable
- Designed to accommodate countertop style microwave
- Unit must be installed between two adjacent cabinets or one cabinet and wall
- **Refer to appliance manufacturer's specifications for adequate clearances**

Wall Microwave • 36" High • 2 Butt Doors



SKU	A Actual	A Max.	B Actual	B Max.	C Depth
WMC271836 BUTT	11 3/4"	19 1/2"	20 3/4"	25"	18"
WMC272136 BUTT	11 3/4"	19 1/2"	20 3/4"	25"	21"

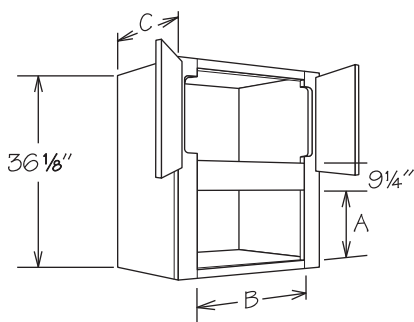
OPTIONS

FE
ID
MI
RD

NOTES

- Must be installed between two cabinets or a cabinet and a wall
- Designed to accommodate microwaves with trim kit
- A cutout exists in the door area where the 3 1/8" stiles are routed to 1 5/8"
- Not drilled for adjustable shelf
- **Refer to appliance manufacturer's specifications for adequate clearances**

Wall Microwave • 36" High • 2 Butt Doors



SKU	A Actual	A Max.	B Actual	B Max.	C Depth
WMC301836 BUTT	11 3/4"	19 1/2"	23 3/4"	28"	18"
WMC302136 BUTT	11 3/4"	19 1/2"	23 3/4"	28"	21"

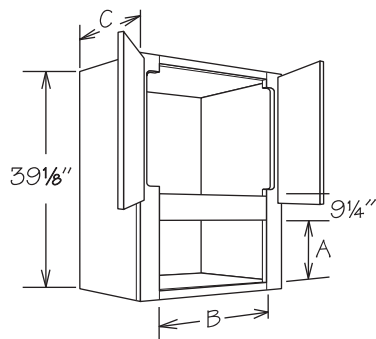
OPTIONS

FE
ID
MI
RD

NOTES

- Must be installed between two cabinets or a cabinet and a wall
- Designed to accommodate microwaves with trim kit
- A cutout exists in the door area where the 3 1/8" stiles are routed to 1 5/8"
- Not drilled for adjustable shelf
- **Refer to appliance manufacturer's specifications for adequate clearances**

Wall Microwave • 39" High • 2 Butt Doors



SKU	A Actual	A Max.	B Actual	B Max.	C Depth
WMC271839 BUTT	12 3/4"	19 1/2"	23 3/4"	28"	18"
WMC272139 BUTT	12 3/4"	19 1/2"	23 3/4"	28"	21"

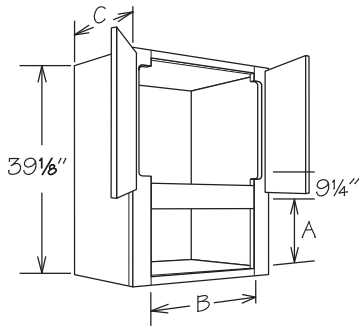
OPTIONS

FE
ID
MI
RD

NOTES

- Must be installed between two cabinets or a cabinet and a wall
- Designed to accommodate microwaves with trim kit
- A cutout exists in the door area where the 3 1/8" stiles are routed to 1 5/8"
- Not drilled for adjustable shelf
- **Refer to appliance manufacturer's specifications for adequate clearances**

Wall Microwave • 39" High • 2 Butt Doors



SKU	A		B		C
	Actual	Max.	Actual	Max.	Depth
WMC301839 BUTT	11 3/4"	19 1/2"	23 3/4"	28"	18"
WMC302139 BUTT	11 3/4"	19 1/2"	23 3/4"	28"	21"

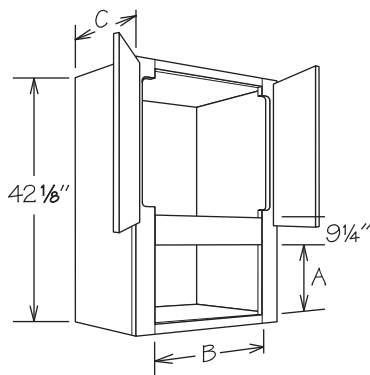
OPTIONS

FE
ID
MI
RD

NOTES

- Must be installed between two cabinets or a cabinet and a wall
- Designed to accommodate microwaves with trim kit
- A cutout exists in the door area where the 3 1/8" stiles are routed to 1 5/8"
- Not drilled for adjustable shelf
- **Refer to appliance manufacturer's specifications for adequate clearances**

Wall Microwave • 42" High • 2 Butt Doors



SKU	A		B		C
	Actual	Max.	Actual	Max.	Depth
WMC301842 BUTT	12 3/4"	19 1/2"	23 3/4"	28"	18"
WMC302142 BUTT	12 3/4"	19 1/2"	23 3/4"	28"	21"

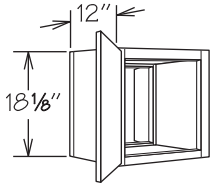
OPTIONS

FE
ID
MI
RD

NOTES

- Must be installed between two cabinets or a cabinet and a wall
- Designed to accommodate microwaves with trim kit
- A cutout exists in the door area where the 3 1/8" stiles are routed to 1 5/8"
- Not drilled for adjustable shelf
- **Refer to appliance manufacturer's specifications for adequate clearances**

Peninsula Wall • 18" High • 2 Doors



SKU

PW1818

PW1818 SD ▲

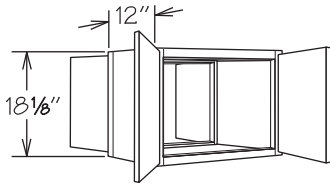
OPTIONS

FE
ID
MI ▲
RD
VDO ▲

NOTES

- No shelf
- Specialty Door (SD) cabinets feature matching interior standard
- Options marked with a ▲ are not available for selected SKUs

Peninsula Wall • 18" High • 4 Butt Doors



SKU

PW2418 BUTT

PW3018 BUTT

PW3618 BUTT

PW2418 BUTT SD ▲

PW3018 BUTT SD ▲

PW3618 BUTT SD ▲

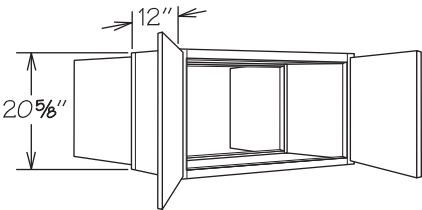
OPTIONS

FE
ID
MI ▲
RD
VDO ▲

NOTES

- No shelf
- Specialty Door (SD) cabinets feature matching interior standard
- Options marked with a ▲ are not available for selected SKUs

Peninsula Wall • 21" High • 4 Butt Doors



SKU

PW3021 BUTT

PW3621 BUTT

PW3021 BUTT SD ▲

PW3621 BUTT SD ▲

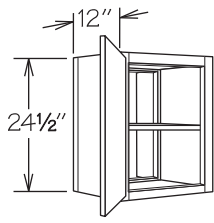
OPTIONS

FE
ID
MI ▲
RD
VDO ▲

NOTES

- No shelf
- Specialty Door (SD) cabinets feature matching interior standard
- Options marked with a ▲ are not available for selected SKUs

Peninsula Wall • 24" High • 2 Doors



SKU

PW1224

PW1824

PW1224 SD ▲

PW1824 SD ▲

OPTIONS

FE

ID

MI ▲

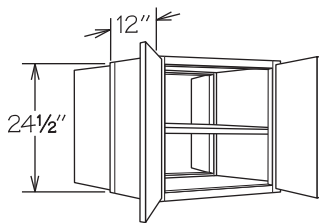
RD

VDO ▲

NOTES

- 1 adjustable shelf
- Specialty Door (SD) cabinets feature matching interior standard
- Options marked with a ▲ are not available for selected SKUs

Peninsula Wall • 24" High • 4 Butt Doors



SKU

PW2424 BUTT

PW3024 BUTT

PW3624 BUTT

PW2424 BUTT SD ▲

PW3024 BUTT SD ▲

PW3624 BUTT SD ▲

OPTIONS

FE

ID

MI ▲

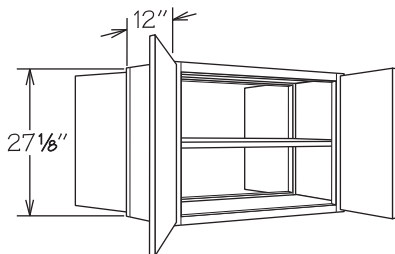
RD

VDO ▲

NOTES

- 1 adjustable shelf
- Specialty Door (SD) cabinets feature matching interior standard
- Options marked with a ▲ are not available for selected SKUs

Peninsula Wall • 27" High • 4 Butt Doors



SKU

PW3027 BUTT

PW3027 BUTT SD ▲

OPTIONS

FE

ID

MI ▲

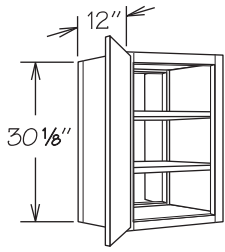
RD

VDO ▲

NOTES

- 1 adjustable shelf
- Specialty Door (SD) cabinets feature matching interior standard
- Options marked with a ▲ are not available for selected SKUs

Peninsula Wall • 30" High • 2 Doors



SKU

PW1230

PW1530

PW1830

PW2430

PW1230 SD ▲

PW1530 SD ▲

PW1830 SD ▲

OPTIONS

FE

ID

MI ▲

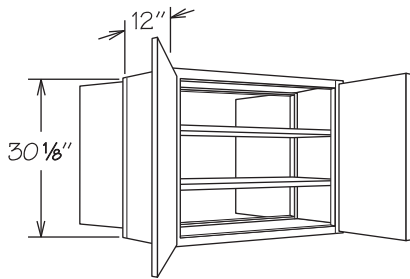
RD

VDO ▲

NOTES

- 2 adjustable shelves
- Hinged as shown
- Specialty Door (SD) cabinets feature matching interior standard
- Options marked with a ▲ are not available for selected SKUs

Peninsula Wall • 30" High • 4 Butt Doors



SKU

PW2430 BUTT

PW3030 BUTT

PW3630 BUTT

PW2430 BUTT SD ▲

PW3030 BUTT SD ▲

PW3630 BUTT SD ▲

OPTIONS

FE

ID

MI ▲

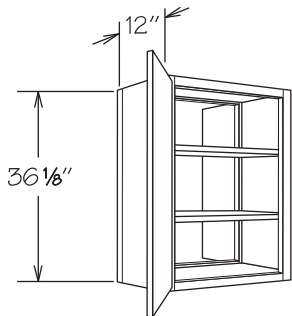
RD

VDO ▲

NOTES

- 2 adjustable shelves
- Specialty Door (SD) cabinets feature matching interior standard
- Options marked with a ▲ are not available for selected SKUs

Peninsula Wall • 36" High • 2 Doors



SKU

PW2436

OPTIONS

FE

ID

MI

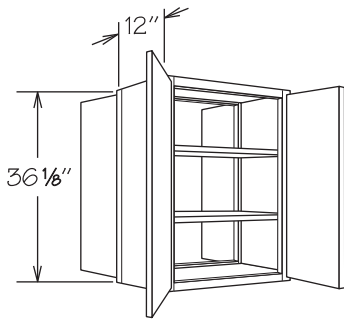
RD

VDO

NOTES

- 2 adjustable shelves
- Hinged as shown

Peninsula Wall • 36" High • 4 Butt Doors



SKU

PW2436 BUTT

PW3036 BUTT

PW3636 BUTT

PW2436 BUTT SD ▲

PW3036 BUTT SD ▲

PW3636 BUTT SD ▲

OPTIONS

FE

ID

MI ▲

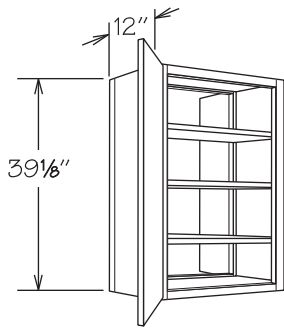
RD

VDO ▲

NOTES

- 2 adjustable shelves
- Specialty Door (SD) cabinets feature matching interior standard
- Options marked with a ▲ are not available for selected SKUs

Peninsula Wall • 39" High • 2 Doors



SKU

PW2439

OPTIONS

FE

ID

MI

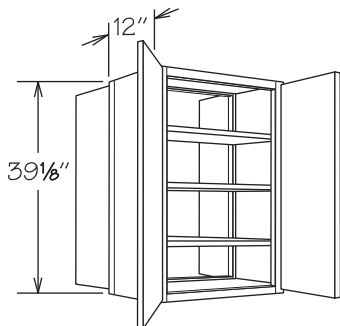
RD

VDO

NOTES

- 3 adjustable shelves
- Hinged as shown

Peninsula Wall • 39" High • 4 Butt Doors



SKU

PW2439 BUTT

PW3039 BUTT

PW3639 BUTT

PW2439 BUTT SD ▲

PW3039 BUTT SD ▲

PW3639 BUTT SD ▲

OPTIONS

FE

ID

MI ▲

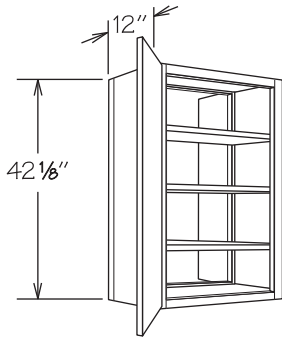
RD

VDO ▲

NOTES

- 3 adjustable shelves
- Specialty Door (SD) cabinets feature matching interior standard
- Options marked with a ▲ are not available for selected SKUs

Peninsula Wall • 42" High • 2 Doors

**SKU**

PW2442

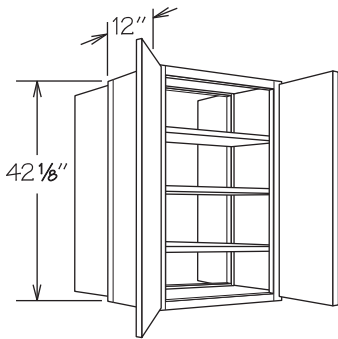
OPTIONS

FE
ID
MI
RD
VDO

NOTES

- 3 adjustable shelves
- Hinged as shown

Peninsula Wall • 42" High • 4 Butt Doors

**SKU**

PW2442 BUTT

PW3042 BUTT

PW3642 BUTT

PW2442 BUTT SD ▲

PW3042 BUTT SD ▲

PW3642 BUTT SD ▲

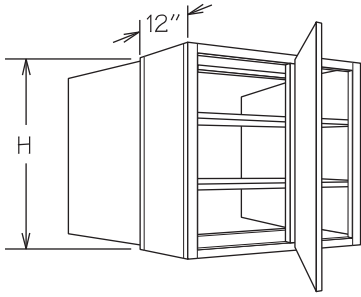
OPTIONS

FE
ID
MI ▲
RD
VDO ▲

NOTES

- 3 adjustable shelves
- Specialty Door (SD) cabinets feature matching interior standard
- Options marked with a ▲ are not available for selected SKUs

Blind Peninsula Wall • 3 Doors



SKU	H	Shelves
BLPW2424 BUTT	24½"	1
BLPW2430 BUTT	30⅞"	2
BLPW2436 BUTT	36⅞"	2
BLPW2439 BUTT	39⅞"	3
BLPW2442 BUTT	42⅞"	3
BLPW2424 BUTT SD ▲	24½"	1
BLPW2430 BUTT SD ▲	30⅞"	2
BLPW2436 BUTT SD ▲	36⅞"	2
BLPW2439 BUTT SD ▲	39⅞"	3
BLPW2442 BUTT SD ▲	42⅞"	3

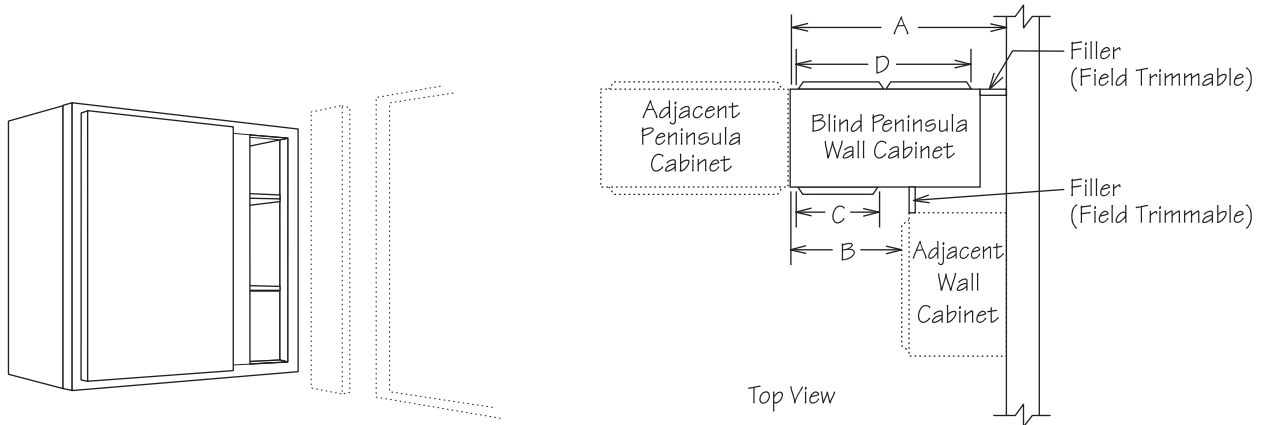
OPTIONS

FE	
ID	
MI	▲
RD	
VDO	▲

NOTES

- Includes ⅛" panel to cover blind opening (field trim and install)
- Refer to Blind Peninsula Wall Cabinet Installation Chart for specifications
- Must order Universal Fillers separately
- Specialty Door (SD) cabinets feature matching interior standard
- Options marked with a ▲ are not available for selected SKUs

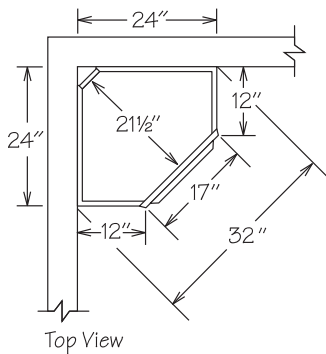
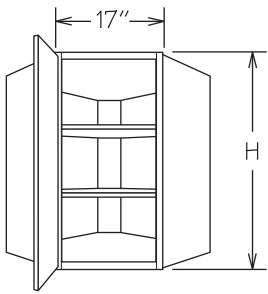
Blind Peninsula Wall Cabinet Installation Chart



SKU	ACTUAL CABINET WIDTH	DOOR OPENING C	DOOR C	DOOR OPENING D	DOORS (2) D	WALL SPACE A			EXPOSED FRAME B		FILLER (AT WALL)	
						MIN. SPACE	MAX. PULL	MAX. SPACE*	MIN. SPACE	MAX. SPACE*	MIN.	MAX.*
BLPW2424 BUTT (SD)	24"	8¾"	DR1224	20¾"	DR1224 BUTT	26¼"	¾"	27"	14¼"	15"	2¼"	3"
BLPW2430 BUTT (SD)	24"	8¾"	DR1230	20¾"	DR1230 BUTT	26¼"	¾"	27"	14¼"	15"	2¼"	3"
BLPW2436 BUTT (SD)	24"	8¾"	DR1236	20¾"	DR1236 BUTT	26¼"	¾"	27"	14¼"	15"	2¼"	3"
BLPW2439 BUTT (SD)	24"	8¾"	DR1239	20¾"	DR1239 BUTT	26¼"	¾"	27"	14¼"	15"	2¼"	3"
BLPW2442 BUTT (SD)	24"	8¾"	DR1242	20¾"	DR1242 BUTT	26¼"	¾"	27"	14¼"	15"	2¼"	3"

*Must use these dimensions if optional Overlay Fillers will be used.

Corner Wall • 24" Wide



SKU	H	Shelves
CW2418	18 1/8"	0
CW2424	24 1/2"	1
CW2430	30 1/8"	2
CW2436	36 1/8"	2
CW2439	39 1/8"	3
CW2442	42 1/8"	3
CW2418 SD ▲	18 1/8"	0
CW2424 SD ▲	24 1/2"	1
CW2430 SD ▲	30 1/8"	2
CW2436 SD ▲	36 1/8"	2
CW2439 SD ▲	39 1/8"	3
CW2442 SD ▲	42 1/8"	3

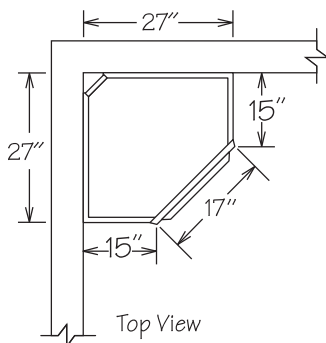
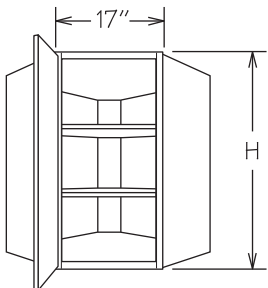
OPTIONS

FE	
MI	▲
VDO	▲

NOTES

- 11 3/4" wide door opening
- Shelf in CW2424 is adjustable but non-removable
- Glass Shelf Kit is not available for CW2424 or CW2418
- Specialty Door (SD) cabinets feature matching interior standard
- Options marked with a ▲ are not available for selected SKUs

Corner Wall • 27" Wide



SKU	H	Shelves
CW2718	18 1/8"	0
CW2724	24 1/2"	1
CW2730	30 1/8"	2
CW2736	36 1/8"	2
CW2739	39 1/8"	3
CW2742	42 1/8"	3
CW2718 SD ▲	18 1/8"	0
CW2724 SD ▲	24 1/2"	1
CW2730 SD ▲	30 1/8"	2
CW2736 SD ▲	36 1/8"	2
CW2739 SD ▲	39 1/8"	3
CW2742 SD ▲	42 1/8"	3

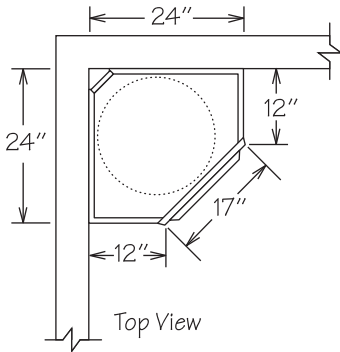
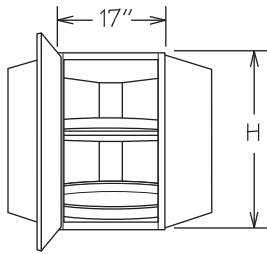
OPTIONS

FE	
MI	▲
VDO	▲

NOTES

- 11 3/4" wide door opening
- Adjustable shelf is non-removable in CW2724
- Glass Shelf Kit is not available for CW2724 or CW2718
- Specialty Door (SD) cabinets feature matching interior standard
- Options marked with a ▲ are not available for selected SKUs

Corner Wall • Wood Spin Units



SKU	H
CWS2430 WD	30 1/8"
CWS2436 WD	36 1/8"
CWS2439 WD	39 1/8"
CWS2442 WD	42 1/8"
CWS2430 WD SD ▲	30 1/8"
CWS2436 WD SD ▲	36 1/8"
CWS2439 WD SD ▲	39 1/8"
CWS2442 WD SD ▲	42 1/8"

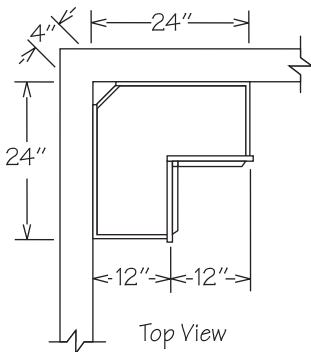
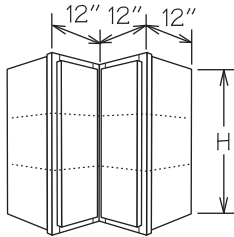
OPTIONS

FE	
MI	▲
VDO	▲

NOTES

- Fixed wood spin unit mounted on cabinet floor
- 30" and 36" high feature additional spin unit attached to 3/4" adjustable shelf
- 39" and 42" high feature two additional spin units attached to 3/4" adjustable shelves
- Natural finish wood spin units feature 1" lip and are 18" in diameter
- 11 3/4" wide door opening
- Specialty Door (SD) cabinets feature matching interior standard
- Options marked with a ▲ are not available for selected SKUs

Wall Easy Reach



SKU	H	Shelves
WER2430	30 1/8"	2
WER2436	36 1/8"	2
WER2439	39 1/8"	3
WER2442	42 1/8"	3

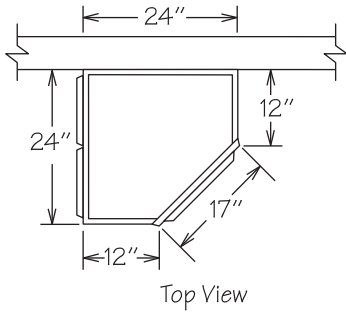
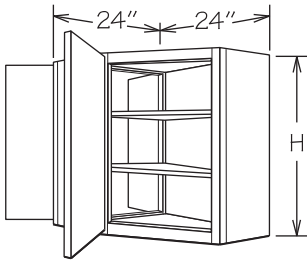
OPTIONS

FE	
MI	

NOTES

- Features adjustable shelves

Peninsula Corner Wall • 3 Doors



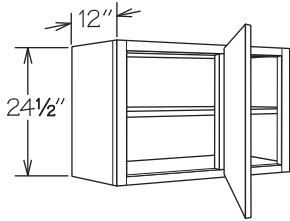
SKU	H	Shelves
PWCW2430 BUTT	30 $\frac{1}{8}$ "	2
PWCW2436 BUTT	36 $\frac{1}{8}$ "	2
PWCW2439 BUTT	39 $\frac{1}{8}$ "	3
PWCW2442 BUTT	42 $\frac{1}{8}$ "	3
PWCW2430 BUTT SD ▲	30 $\frac{1}{8}$ "	2
PWCW2436 BUTT SD ▲	36 $\frac{1}{8}$ "	2
PWCW2439 BUTT SD ▲	39 $\frac{1}{8}$ "	3
PWCW2442 BUTT SD ▲	42 $\frac{1}{8}$ "	3

OPTIONS **NOTES**

FE	
MI	▲
VDO	▲

- Features 2 butt doors on back opening
- Recommend attachment to soffit or ceiling and to all adjacent cabinets
- Specialty Door (SD) cabinets feature matching interior standard
- Options marked with a ▲ are not available for selected SKUs

Blind Wall • 24" High • 1 Door



SKU

BLW24/2724
BLW27/3024
BLW30/3324
BLW33/3624
BLW24/2724 SD ▲
BLW27/3024 SD ▲
BLW30/3324 SD ▲
BLW33/3624 SD ▲

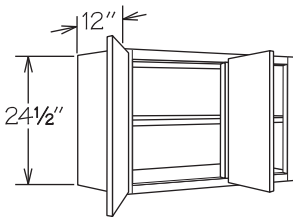
OPTIONS

CFO
FE
ID
MI ▲
RD
VDO ▲

NOTES

- 1 adjustable shelf
- Cabinet shown as right indicating blind opening is on the right side of the cabinet (can be reversed in the field)
- Includes 1/8" panel to cover blind opening (field trim and install)
- Refer to Blind Wall Cabinet Installation Chart for specifications
- Must order Universal Filler separately
- Hinged as shown and can be reversed in the field
- Specialty Door (SD) cabinets feature matching interior standard
- Options marked with a ▲ are not available for selected SKUs

Blind Wall • 24" High • 2 Butt Doors



SKU

BLW36/3924 BUTT
BLW36/3924 BUTT SD ▲

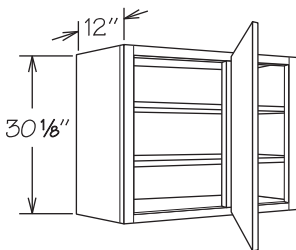
OPTIONS

CFO
FE
ID
MI ▲
RD
VDO ▲

NOTES

- 1 adjustable shelf
- Cabinet shown as right indicating blind opening is on the right side of the cabinet (can be reversed in the field)
- Includes 1/8" panel to cover blind opening (field trim and install)
- Refer to Blind Wall Cabinet Installation Chart for specifications
- Must order Universal Filler separately
- Specialty Door (SD) cabinets feature matching interior standard
- Options marked with a ▲ are not available for selected SKUs

Blind Wall • 30" High • 1 Door



SKU

BLW24/2730
BLW27/3030
BLW30/3330
BLW33/3630
BLW24/2730 SD ▲
BLW27/3030 SD ▲
BLW30/3330 SD ▲
BLW33/3630 SD ▲

OPTIONS

CFO
FE
ID
MI ▲
RD
VDO ▲

NOTES

- 2 adjustable shelves
- Cabinet shown as right indicating blind opening is on the right side of the cabinet (can be reversed in the field)
- Includes 1/8" panel to cover blind opening (field trim and install)
- Refer to Blind Wall Cabinet Installation Chart for specifications
- Must order Universal Filler separately
- Hinged as shown and can be reversed in the field
- Specialty Door (SD) cabinets feature matching interior standard
- Options marked with a ▲ are not available for selected SKUs

Blind Wall • 30" High • 2 Butt Doors

**SKU**

BLW36/3930 BUTT

BLW36/3930 BUTT SD ▲

OPTIONS

CFO

FE

ID

MI ▲

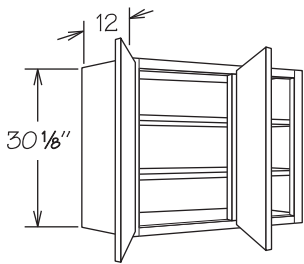
RD

VDO ▲

NOTES

- 2 adjustable shelves
- Cabinet shown as right indicating blind opening is on the right side of the cabinet (can be reversed in the field)
- Includes 1/8" panel to cover blind opening (field trim and install)
- Refer to Blind Wall Cabinet Installation Chart for specifications
- Must order Universal Filler separately
- Specialty Door (SD) cabinets feature matching interior standard
- Options marked with a ▲ are not available for selected SKUs

Blind Wall • 30" High • 2 Butt Doors

**SKU**

BLW39/4230 BUTT

BLW42/4530 BUTT

BLW39/4230 BUTT SD ▲

BLW42/4530 BUTT SD ▲

OPTIONS

CFO

FE

ID

MI ▲

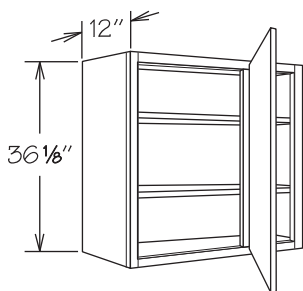
RD

VDO ▲

NOTES

- 2 adjustable shelves
- Cabinet shown as right indicating blind opening is on the right side of the cabinet (can be reversed in the field)
- Includes 1/8" panel to cover blind opening (field trim and install)
- Refer to Blind Wall Cabinet Installation Chart for specifications
- Must order Universal Filler separately
- Specialty Door (SD) cabinets feature matching interior standard
- Options marked with a ▲ are not available for selected SKUs

Blind Wall • 36" High • 1 Door

**SKU**

BLW24/2736

BLW27/3036

BLW30/3336

BLW33/3636

BLW24/2736 SD ▲

BLW27/3036 SD ▲

BLW30/3336 SD ▲

BLW33/3636 SD ▲

OPTIONS

CFO

FE

ID

MI ▲

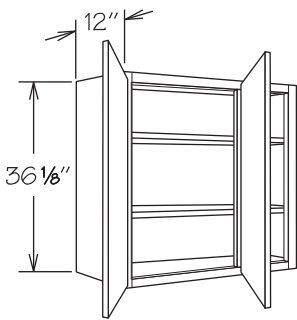
RD

VDO ▲

NOTES

- 2 adjustable shelves
- Cabinet shown as right indicating blind opening is on the right side of the cabinet (can be reversed in the field)
- Includes 1/8" panel to cover blind opening (field trim and install)
- Refer to Blind Wall Cabinet Installation Chart for specifications
- Must order Universal Filler separately
- Hinged as shown and can be reversed in the field
- Specialty Door (SD) cabinets feature matching interior standard
- Options marked with a ▲ are not available for selected SKUs

Blind Wall • 36" High • 2 Butt Doors



SKU

BLW36/3936 BUTT

BLW36/3936 BUTT SD ▲

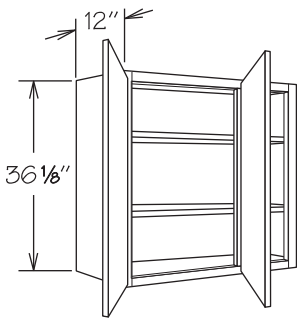
OPTIONS

CFO	
FE	
ID	
MI	▲
RD	
VDO	▲

NOTES

- 2 adjustable shelves
- Cabinet shown as right indicating blind opening is on the right side of the cabinet (can be reversed in the field)
- Includes 1/8" panel to cover blind opening (field trim and install)
- Refer to Blind Wall Cabinet Installation Chart for specifications
- Must order Universal Filler separately
- Specialty Door (SD) cabinets feature matching interior standard
- Options marked with a ▲ are not available for selected SKUs

Blind Wall • 36" High • 2 Butt Doors



SKU

BLW39/4236 BUTT

BLW42/4536 BUTT

BLW39/4236 BUTT SD ▲

BLW42/4536 BUTT SD ▲

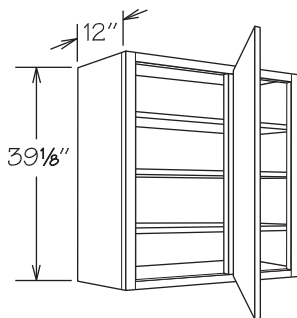
OPTIONS

CFO	
FE	
ID	
MI	▲
RD	
VDO	▲

NOTES

- 2 adjustable shelves
- Cabinet shown as right indicating blind opening is on the right side of the cabinet (can be reversed in the field)
- Includes 1/8" panel to cover blind opening (field trim and install)
- Refer to Blind Wall Cabinet Installation Chart for specifications
- Must order Universal Filler separately
- Specialty Door (SD) cabinets feature matching interior standard
- Options marked with a ▲ are not available for selected SKUs

Blind Wall • 39" High • 1 Door



SKU

BLW24/2739

BLW27/3039

BLW30/3339

BLW33/3639

BLW24/2739 SD ▲

BLW27/3039 SD ▲

BLW30/3339 SD ▲

BLW33/3639 SD ▲

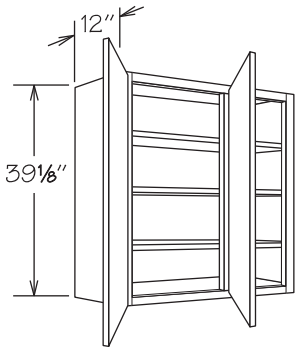
OPTIONS

CFO	
FE	
ID	
MI	▲
RD	
VDO	▲

NOTES

- 3 adjustable shelves
- Cabinet shown as right indicating blind opening is on the right side of the cabinet (can be reversed in the field)
- Includes 1/8" panel to cover blind opening (field trim and install)
- Refer to Blind Wall Cabinet Installation Chart for specifications
- Must order Universal Filler separately
- Hinged as shown and can be reversed in the field
- Specialty Door (SD) cabinets feature matching interior standard
- Options marked with a ▲ are not available for selected SKUs

Blind Wall • 39" High • 2 Butt Doors

**SKU**

BLW36/3939 BUTT

BLW36/3939 BUTT SD ▲

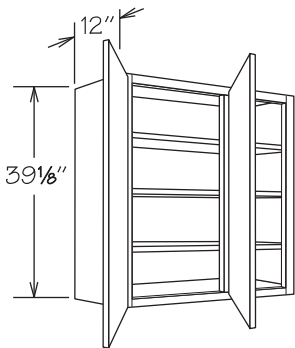
OPTIONS

CFO	
FE	
ID	
MI	▲
RD	
VDO	▲

NOTES

- 3 adjustable shelves
- Cabinet shown as right indicating blind opening is on the right side of the cabinet (can be reversed in the field)
- Includes 1/8" panel to cover blind opening (field trim and install)
- Refer to Blind Wall Cabinet Installation Chart for specifications
- Must order Universal Filler separately
- Specialty Door (SD) cabinets feature matching interior standard
- Options marked with a ▲ are not available for selected SKUs

Blind Wall • 39" High • 2 Butt Doors

**SKU**

BLW39/4239 BUTT

BLW42/4539 BUTT

BLW39/4239 BUTT SD ▲

BLW42/4539 BUTT SD ▲

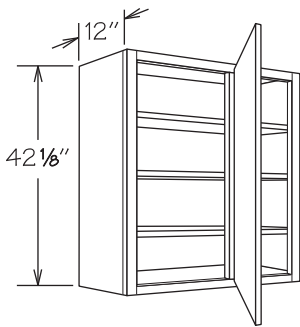
OPTIONS

CFO	
FE	
MI	▲
RD	
VDO	▲

NOTES

- 3 adjustable shelves
- Cabinet shown as right indicating blind opening is on the right side of the cabinet (can be reversed in the field)
- Includes 1/8" panel to cover blind opening (field trim and install)
- Refer to Blind Wall Cabinet Installation Chart for specifications
- Must order Universal Filler separately
- Specialty Door (SD) cabinets feature matching interior standard
- Options marked with a ▲ are not available for selected SKUs

Blind Wall • 42" High • 1 Door



SKU

BLW24/2742

BLW27/3042

BLW30/3342

BLW33/3642

BLW24/2742 SD ▲

BLW27/3042 SD ▲

BLW30/3342 SD ▲

BLW33/3642 SD ▲

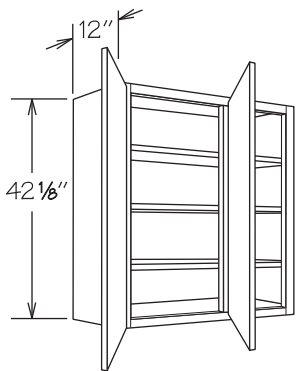
OPTIONS

CFO	
FE	
ID	
MI	▲
RD	
VDO	▲

NOTES

- 3 adjustable shelves
- Cabinet shown as right indicating blind opening is on the right side of the cabinet (can be reversed in the field)
- Includes 1/8" panel to cover blind opening (field trim and install)
- Refer to Blind Wall Cabinet Installation Chart for specifications
- Must order Universal Filler separately
- Hinged as shown and can be reversed in the field
- Specialty Door (SD) cabinets feature matching interior standard
- Options marked with a ▲ are not available for selected SKUs

Blind Wall • 42" High • 2 Butt Doors



SKU

BLW36/3942 BUTT

BLW36/3942 BUTT SD ▲

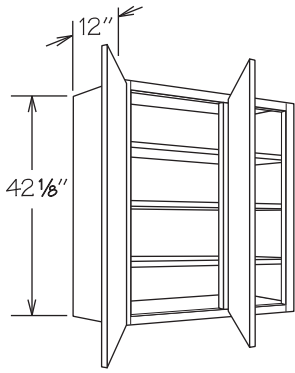
OPTIONS

CFO	
FE	
ID	
MI	▲
RD	
VDO	▲

NOTES

- 3 adjustable shelves
- Cabinet shown as right indicating blind opening is on the right side of the cabinet (can be reversed in the field)
- Includes 1/8" panel to cover blind opening (field trim and install)
- Refer to Blind Wall Cabinet Installation Chart for specifications
- Must order Universal Filler separately
- Specialty Door (SD) cabinets feature matching interior standard
- Options marked with a ▲ are not available for selected SKUs

Blind Wall • 42" High • 2 Butt Doors

**SKU**

BLW39/4242 BUTT

BLW42/4542 BUTT

BLW39/4242 BUTT SD ▲

BLW42/4542 BUTT SD ▲

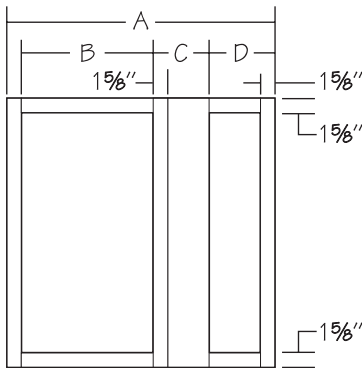
OPTIONS

CFO
FE
MI ▲
RD
VDO ▲

NOTES

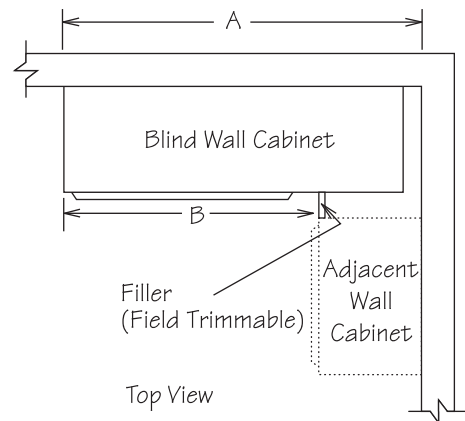
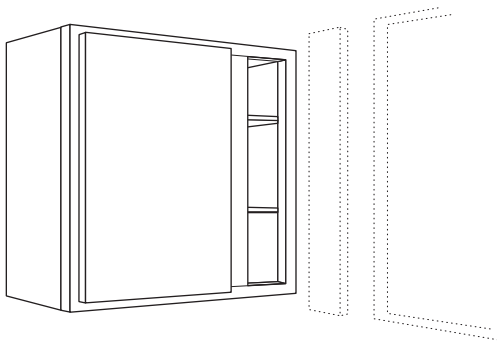
- 3 adjustable shelves
- Cabinet shown as right indicating blind opening is on the right side of the cabinet (can be reversed in the field)
- Includes 1/8" panel to cover blind opening (field trim and install)
- Refer to Blind Wall Cabinet Installation Chart for specifications
- Must order Universal Filler separately
- Specialty Door (SD) cabinets feature matching interior standard
- Options marked with a ▲ are not available for selected SKUs

Blind Wall Cabinet Dimensions



Cabinet	Cabinet Width A	Door Opening B	C	D
BLW24/27 (SD)	24"	8 3/4"	6 1/4"	7 3/8"
BLW27/30 (SD)	27"	11 3/4"	6 1/4"	7 3/8"
BLW30/33 (SD)	30"	14 3/4"	6 1/4"	7 3/8"
BLW33/36 (SD)	33"	17 3/4"	6 1/4"	7 3/8"
BLW36/39 BUTT (SD)	36"	20 3/4"	6 1/4"	7 3/8"
BLW39/42 BUTT (SD)	39"	23 3/4"	6 1/4"	7 3/8"
BLW42/45 BUTT (SD)	42"	26 3/4"	6 1/4"	7 3/8"

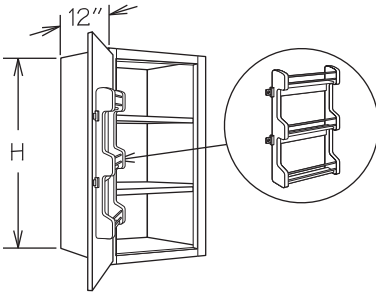
Blind Wall Cabinet Installation Chart



CABINET	ACTUAL CABINET WIDTH	DOOR OPENING	DOOR(S)	WALL SPACE A			EXPOSED FRAME B	
				MIN. SPACE*	MAX. PULL	MAX. SPACE	MIN. SPACE*	MAX. SPACE
BLW24/27 (SD)	24"	8 3/4"	DR12__	26 1/4"	1 3/4"	28"	14 1/4"	16"
BLW27/30 (SD)	27"	11 3/4"	DR15__	29 1/4"	1 3/4"	31"	17 1/4"	19"
BLW30/33 (SD)	30"	14 3/4"	DR18__	32 1/4"	1 3/4"	34"	20 1/4"	22"
BLW33/36 (SD)	33"	17 3/4"	DR21__	35 1/4"	1 3/4"	37"	23 1/4"	25"
BLW36/39 BUTT (SD)	36"	20 3/4"	DR12__ BUTT (2)	38 1/4"	1 3/4"	40"	26 1/4"	28"
BLW39/42 BUTT (SD)	39"	23 3/4"	DR13__ BUTT (2)	41 1/4"	1 3/4"	43"	29 1/4"	31"
BLW42/45 BUTT (SD)	42"	26 3/4"	DR15__ BUTT (2)	44 1/4"	1 3/4"	46"	32 1/4"	34"

*Dimension requirements do not include optional Overlay Fillers – add 7/8" if Overlay Fillers will be used.

Wall with Spice Rack • 1 Door



SKU	H	Shelves
W1530 SR	30 $\frac{1}{8}$ "	2
W1830 SR	30 $\frac{1}{8}$ "	2
W2130 SR	30 $\frac{1}{8}$ "	2
W1536 SR	36 $\frac{1}{8}$ "	2
W1836 SR	36 $\frac{1}{8}$ "	2
W2136 SR	36 $\frac{1}{8}$ "	2
W1539 SR	39 $\frac{1}{8}$ "	3
W1839 SR	39 $\frac{1}{8}$ "	3
W2139 SR	39 $\frac{1}{8}$ "	3
W1542 SR	42 $\frac{1}{8}$ "	3
W1842 SR	42 $\frac{1}{8}$ "	3
W2142 SR	42 $\frac{1}{8}$ "	3

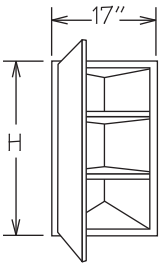
OPTIONS

FE
ID
MI

NOTES

- Spice Rack Kit packaged separately for field installation
- Position adjustable shelves prior to installation
- Kit features natural finish solid wood with chrome rails and three fixed shelves

Wall End Angle • 1 Door



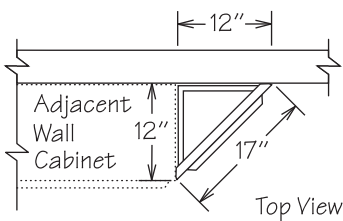
SKU	H	Shelves	Door
WEA1230	30 $\frac{1}{8}$ "	2	DR1530
WEA1236	36 $\frac{1}{8}$ "	2	DR1536
WEA1239	39 $\frac{1}{8}$ "	3	DR1539
WEA1242	42 $\frac{1}{8}$ "	3	DR1542
WEA1230 SD ▲	30 $\frac{1}{8}$ "	2	DR1530 SD
WEA1236 SD ▲	36 $\frac{1}{8}$ "	2	DR1536 SD
WEA1239 SD ▲	39 $\frac{1}{8}$ "	3	DR1539 SD
WEA1242 SD ▲	42 $\frac{1}{8}$ "	3	DR1542 SD

OPTIONS

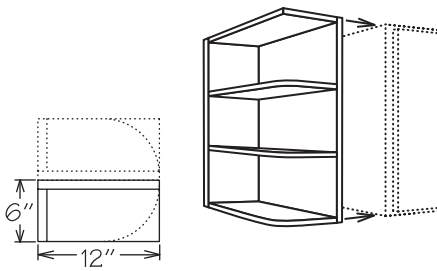
MI	▲
VDO	▲

NOTES

- Requires 12" x 12" space
- Specialty Door (SD) cabinets feature matching interior standard
- Options marked with a ▲ are not available for selected SKUs



Shelf End Wall with Square Top and Round Bottom

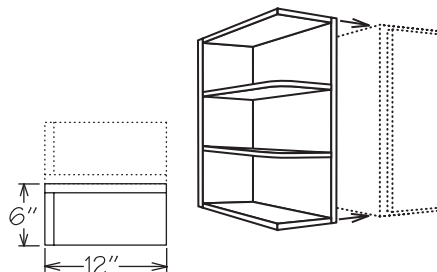


SKU	H	Shelves
SEW30L SQT	30 1/8"	2
SEW30R SQT	30 1/8"	2
SEW36L SQT	36 1/8"	2
SEW36R SQT	36 1/8"	2
SEW39L SQT	39 1/8"	3
SEW39R SQT	39 1/8"	3
SEW42L SQT	42 1/8"	3
SEW42R SQT	42 1/8"	3

NOTES

- Interior finished to match cabinet exterior
- **Must be ordered as right or left – NOT reversible**
- Features 1/2" veneered engineered wood back and side for all construction packages
- Shelves, tops and bottoms are 3/4" veneered engineered wood for all construction packages
- Center shelves and bottom feature a 3" radius
- 1 1/8" screw recommended from inside of adjacent cabinet for installation
- Bottom molding cannot be installed

Shelf End Wall with Square Top and Bottom

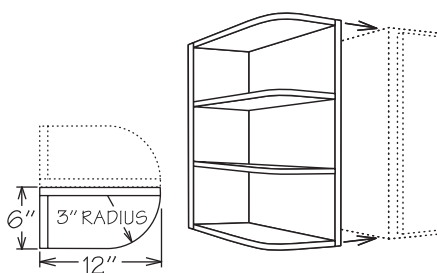


SKU	H	Shelves
SEW30 SQTb	30 1/8"	2
SEW36 SQTb	36 1/8"	2
SEW39 SQTb	39 1/8"	3
SEW42 SQTb	42 1/8"	3

NOTES

- Interior finished to match cabinet exterior
- Invert for left or right
- Features 1/2" veneered engineered wood back and side for all construction packages
- Shelves, tops and bottoms are 3/4" veneered engineered wood for all construction packages
- Center shelves feature a 3" radius
- 1 1/8" screw recommended from inside of adjacent cabinet for installation

Shelf End Wall with Round Top and Bottom

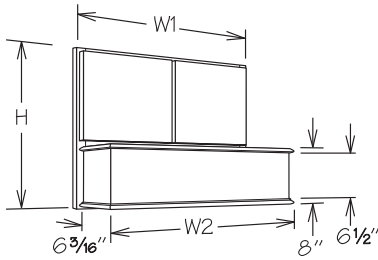


SKU	H	Shelves
SEW30	30 1/8"	2
SEW36	36 1/8"	2
SEW39	39 1/8"	3
SEW42	42 1/8"	3

NOTES

- Interior finished to match cabinet exterior
- Invert for left or right
- Features 1/2" veneered engineered wood back and side for all construction packages
- Shelves, top and bottom are 3/4" veneered engineered wood with 3" radius for all construction packages
- 1 1/8" screw recommended from inside of adjacent cabinet for installation
- Top and bottom molding cannot be installed

Wall Range Hood • Straight Valance

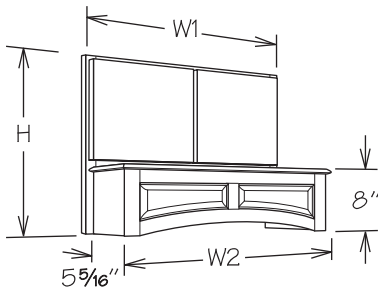


SKU	W1	H	W2	Doors
WRH3024 SV	30"	24"	29 9/16"	(2) DR1515 BUTT
WRH3027 SV	30"	27"	29 9/16"	(2) DR1518 BUTT
WRH3030 SV	30"	30"	29 9/16"	(2) DR1521 BUTT
WRH3624 SV	36"	24"	35 9/16"	(2) DR1815 BUTT
WRH3627 SV	36"	27"	35 9/16"	(2) DR1818 BUTT
WRH3630 SV	36"	30"	35 9/16"	(2) DR1821 BUTT

NOTES

- Must be installed between two wall cabinets
- **Silver metallic liner included**
- Order range hood blower separately
- Not intended for use with RHVENT960

Wall Range Hood • Arched Valance

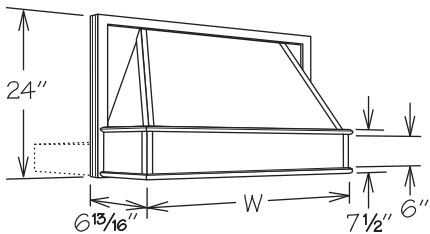


SKU	W1	H	W2	Doors
WRH3024 AV	30"	24"	27 13/16"	(2) DR1515 BUTT
WRH3027 AV	30"	27"	27 13/16"	(2) DR1518 BUTT
WRH3030 AV	30"	30"	27 13/16"	(2) DR1521 BUTT
WRH3624 AV	36"	24"	33 13/16"	(2) DR1815 BUTT
WRH3627 AV	36"	27"	33 13/16"	(2) DR1818 BUTT
WRH3630 AV	36"	30"	33 13/16"	(2) DR1821 BUTT

NOTES

- Must be installed between two wall cabinets
- **Silver metallic liner included**
- Order range hood blower separately
- Not intended for use with RHVENT960

Tapered Range Hood

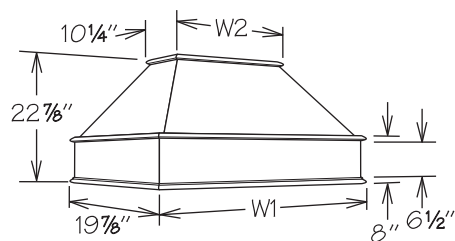


SKU	W
RH3024 T	30"
RH3624 T	36"

NOTES

- Must be installed between two wall cabinets
- **Silver metallic liner included**
- Order range hood blower separately
- Not intended for use with RHVENT960

Straight Valance Range Hood

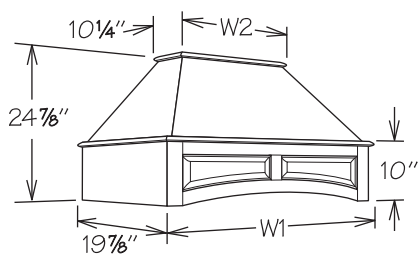


SKU	W1	W2
RH3624 SV	37 3/4"	18 3/4"
RH4224 SV	43 3/4"	24 3/4"
RH4824 SV	49 3/4"	30 3/4"

NOTES

- Wall mounted installation only
- **Silver metallic liner included**
- Order range hood blower separately
- May be accessorized with Range Hood Chimney – order separately

Raised Panel Arched Valance Range Hood

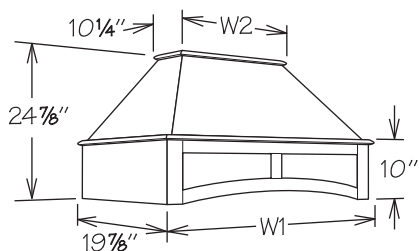


SKU	W1	W2
RH3624 AV	37 3/4"	18 3/4"
RH4224 AV	43 3/4"	24 3/4"
RH4824 AV	49 3/4"	30 3/4"

NOTES

- Wall mounted installation only
- **Silver metallic liner included**
- Order range hood blower separately
- May be accessorized with Range Hood Chimney – order separately

Flat Panel Arched Valance Range Hood

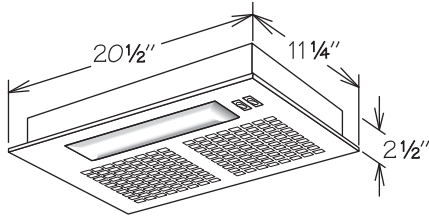


SKU	W1	W2
RH3624 FV	37 3/4"	18 1/2"
RH4224 FV	43 3/4"	24 1/2"
RH4824 FV	49 3/4"	30 1/2"

NOTES

- Wall mounted installation only
- **Silver metallic liner included**
- Order range hood blower separately
- May be accessorized with Range Hood Chimney – order separately

Range Hood Blower • 250 CFM Vented

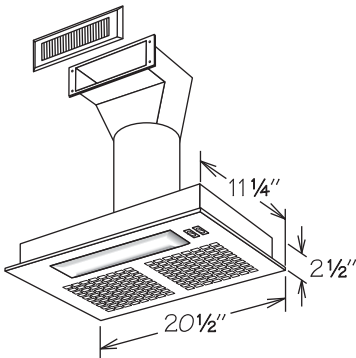
**SKU**

RHVENT 250

NOTES

- Designed for vented installation where exhaust is vented to exterior of home
- Durable, powder-coated silver finish
- Features a two-speed motor and enclosed light controlled by rocker switches
- 6⁵/₈" fan provides 250 CFM air delivery and sound level of 8.0 sones
- Includes one-piece washable aluminum mesh filter and two incandescent 40-watt candelabra bulbs
- Requires 7" round duct for venting to exterior (not included)
- Installation and care instructions included
- Liner not included

Range Hood Blower • 250 CFM Recirculating

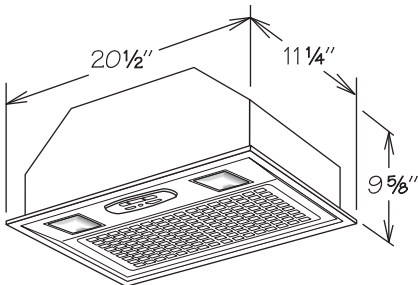
**SKU**

RHVENT 250R

NOTES

- Designed for recirculating installation where exhaust is vented back into kitchen
- Includes ductwork, metal soffit air grille, charcoal filter(s) and clips
- Durable, powder-coated silver finish
- Features a two-speed motor and enclosed light controlled by rocker switches
- 6⁵/₈" fan provides 250 CFM air delivery and sound level of 8.0 sones
- Includes one-piece washable aluminum mesh filter and two incandescent 40-watt candelabra bulbs
- Metal grille measures 5⁵/₁₆" x 11¹/₄"
- 3"x10" cutout required for metal grille
- Installation and care instructions included
- Liner not included

Range Hood Blower • 390 CFM Vented

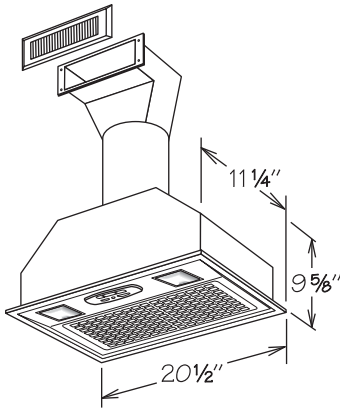
**SKU**

RHVENT 390

NOTES

- Designed for vented installation where exhaust is vented to exterior of home
- Durable, powder coated silver finish
- Features a multi-speed fan and enclosed light controlled by separate switches
- Centrifugal blower provides 390 CFM air delivery and sound level of 5.5 sones
- Includes one-piece washable aluminum mesh filter and two incandescent 40-watt candelabra bulbs
- Requires 6" round duct for venting to exterior (not included)
- Installation and care instructions included

Range Hood Blower • 390 CFM Recirculating



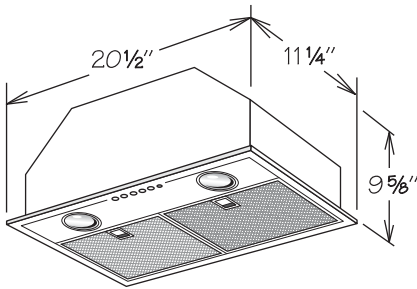
SKU

RHVENT 390R

NOTES

- Designed for recirculating installation where exhaust is vented back into kitchen
- Includes ductwork, metal soffit air grille, charcoal filter(s) and clips
- Durable, powder coated silver finish
- Features a multi-speed fan and enclosed light controlled by separate switches
- Centrifugal blower provides 390 CFM air delivery and sound level of 5.5 sones
- Includes one-piece washable aluminum mesh filter and two incandescent 40-watt candelabra bulbs
- Metal grille measures 5 5/8" x 11 1/4"
- Installation and care instructions included

Range Hood Blower • 500 CFM Vented



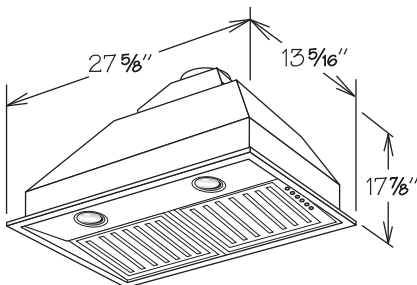
SKU

RHVENT 500

NOTES

- Designed for vented installation where exhaust is vented to exterior of home
- Durable, stainless steel with brushed finish
- Features a multi-speed fan and enclosed light controlled by separate switches
- Centrifugal blower provides 500 CFM air delivery and sound level of 8.0 sones
- Includes two 12V 20W halogen lamps
- Includes two washable filters with stainless steel covers
- Requires 6" round duct for venting to exterior (not included)
- Installation and care instructions included

Range Hood Blower • 960 CFM Vented



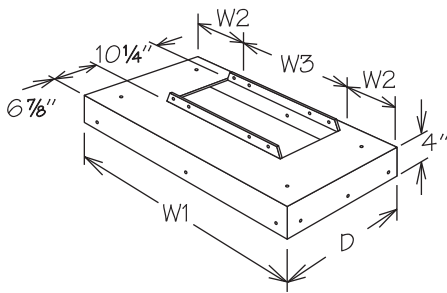
SKU

RHVENT 960

NOTES

- Designed for vented installation where exhaust is vented to exterior of home
- Durable stainless steel with brushed finish
- Features a 4-speed push-button control to offer greater CFM flexibility; 960 CFM, 660 CFM, 480 CFM and 300 CFM
- Centrifugal blower provides 960 CFM air delivery and sound level of 5.1 sones on highest speed
- Includes two 4 watt 12V MR16 LED bulbs - Daylight
- Stainless baffle filters are easily removed for cleaning (dishwasher safe)
- 10 minute delay off timer
- Requires 7" round duct for venting to exterior (not included)
- Installation and care instructions included
- Not designed for use with the following:
 - ◆ Tapered Range Hoods
 - ◆ Wall Range Hood - Straight Valance
 - ◆ Wall Range Hood - Arched Valance

Straight Valance Hood Liner

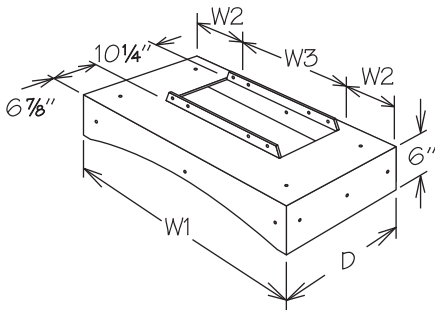


SKU	W1	W2	W3	D
RHLINER 36S	34 1/32"	7 7/16"	19 1/2"	18 1/4"
RHLINER 42S	40 1/32"	10 7/16"	19 1/2"	18 1/4"
RHLINER 48S	46 1/32"	13 7/16"	19 1/2"	18 1/4"
RHLINER 36S SL1	34 1/32"	3 3/4"	26 13/16"	18 3/16"
RHLINER 42S SL1	40 1/32"	6 3/4"	26 13/16"	18 3/16"
RHLINER 48S SL1	46 1/32"	9 3/4"	26 13/16"	18 3/16"

NOTES

- Liner is silver metallic powder coated metal
- Liner used for Straight Valance Range Hood
- RHLINER __S SL1 must be used for RHVENT 960 blower

Arched Valance Hood Liner

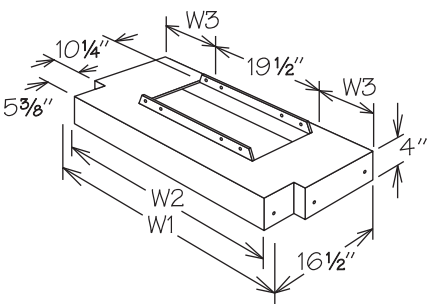


SKU	W1	W2	W3	D
RHLINER 36A	34 17/32"	7 17/32"	19 1/2"	18 1/4"
RHLINER 42A	40 17/32"	10 17/32"	19 1/2"	18 1/4"
RHLINER 48A	46 17/32"	13 17/32"	19 1/2"	18 1/4"
RHLINER 36A SL1	34 17/32"	3 7/8"	26 13/16"	18 1/4"
RHLINER 42A SL1	40 17/32"	6 7/8"	26 13/16"	18 1/4"
RHLINER 48A SL1	46 17/32"	9 7/8"	26 13/16"	18 1/4"

NOTES

- Liner is silver metallic powder coated metal
- Liner features front arch to correspond with the Arched or Flat Valance Range Hood
- RHLINER __A SL1 must be used for RHVENT 960 blower

Hood Liner

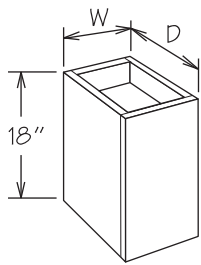


SKU	W1	W2	W3
RHLINER 30	29 15/16"	26 3/16"	5 7/32"
RHLINER 36	35 15/16"	32 3/16"	8 7/32"

NOTES

- Liner is silver metallic powder coated metal
- Liner used for Tapered Range Hood
- Liner used for Arched & Straight Valance Wall Range Hood

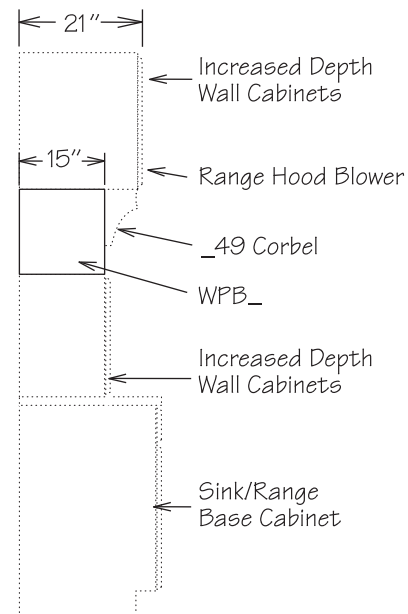
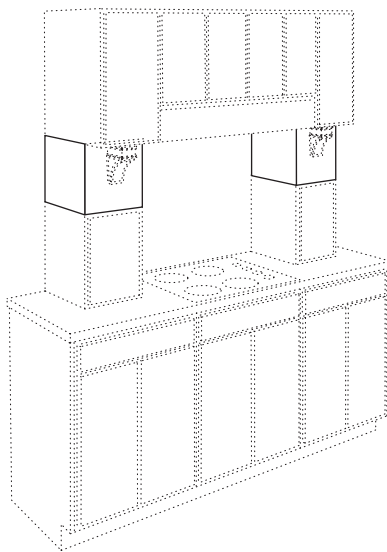
Wall Plain Box



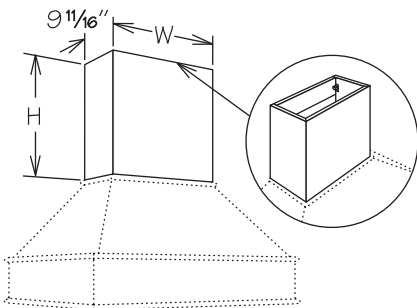
SKU	W	D
WPB91815	9"	15"
WPB121815	12"	15"

NOTES

- Veneered engineered wood
- Features 1/4" reveal
- Trimmable in height to 14 1/8" tall
- Reversible for left or right installation



Range Hood Chimney

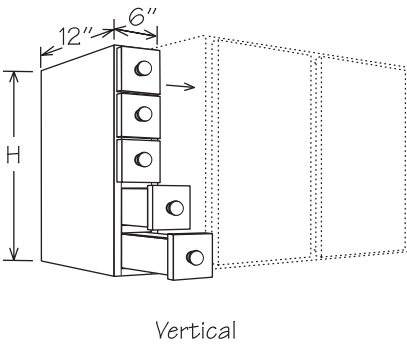
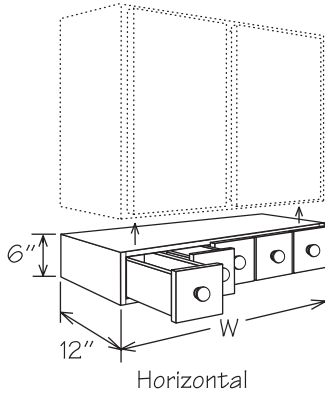


SKU	W	H
RHC3623	17 3/8"	23 1/2"
RHC4223	23 3/8"	23 1/2"
RHC4823	29 3/8"	23 1/2"
RHC3631	17 3/8"	31 1/2"
RHC4231	23 3/8"	31 1/2"
RHC4831	29 3/8"	31 1/2"

NOTES

- Field trimmable in height
- Features 3/4" solid wood finished to match cabinet exterior
- Includes two chimney mounting blocks with metal fasteners
- For use with Straight Valance, Arched Valance or Flat Valance Range Hood

Spice Drawer Cabinet

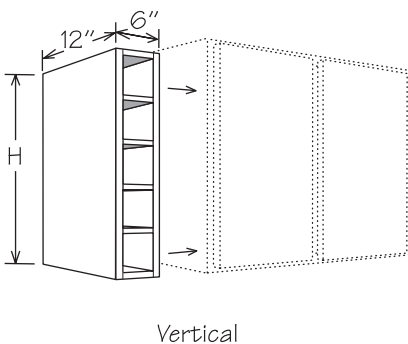
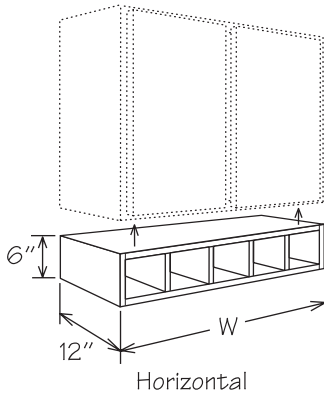


SKU	W/H	Number of Drawers
SDC18	18"	3
SDC24	24"	4
SDC30	30"	5
SDC36	36"	6

NOTES

- Designed for vertical or horizontal installation
- Vertical installation may require the use of fillers and/or molding – order separately
- Features veneered engineered wood for all construction packages
- Flush sides with no face frame or ¼" reveals
- Features ½" thick drawer fronts
- Drawer bodies feature dovetail construction
- AVELEY, BICKERSHIRE, BRAMBLETON and DAWLEY door styles feature white porcelain knobs, all other door styles feature matching wooden knobs

Storage Cubes

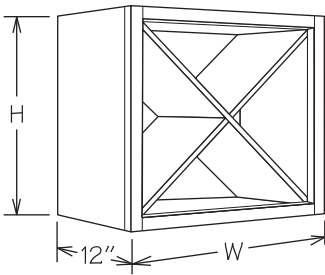


SKU	W/H	Number of Openings
SC30	30"	5
SC36	36"	6
SC42	42"	7

NOTES

- Designed for horizontal or vertical installation
- Vertical installation may require the use of fillers and/or molding - order separately
- Opening size is 5" wide x 4 ½" high (horizontal) which will accommodate most wine bottles and various other storage needs
- Features ¾" veneered engineered wood finished to match cabinet exterior for all construction packages
- Interior finished to match cabinet exterior
- Flush sides with no face frame or ¼" reveals
- Cannot be retrofitted with Spice Drawer Cabinet drawers

Wine Storage Cabinet



SKU	W	H	Number of Bottles
WSC1818	18"	18 1/8"	12
WSC2424	24"	24 1/2"	30

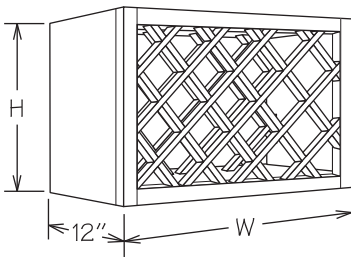
OPTIONS

FE

NOTES

- Interior finished to match cabinet exterior
- Features 3/4" plywood partitions finished to match cabinet exterior for all construction packages
- Unit must be installed between two adjacent cabinets or one cabinet and wall
- Accent Molding recommended – order separately

Wine Rack Cabinet



SKU	W	H	Number of Bottles
WRC1530	15"	30 1/8"	10
WRC1830	18"	30 1/8"	11
WRC3015	30"	15 1/8"	10
WRC3018	30"	18 1/8"	11
WRC3615	36"	15 1/8"	13

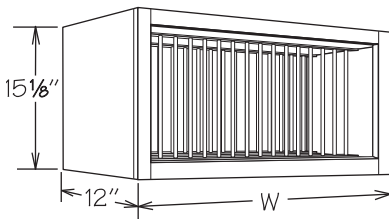
OPTIONS

FE

NOTES

- Interior finished to match cabinet exterior
- Wine bottle opening is 4" x 4"
- Unit must be installed between two adjacent cabinets or one cabinet and wall

Wall China Cabinet



SKU	W	Number of Plates
WCC2415	24"	9
WCC3015	30"	12
WCC3615	36"	15

OPTIONS

FE

NOTES

- Interior finished to match cabinet exterior
- Use with 11 1/2" diameter (or smaller) dinner plates
- Spindles can be removed for cleaning
- Spindles shipped uninstalled
- Accent Molding recommended – order separately
- Use of Accent Molding will reduce available plate diameter to 11"

Wall Bookshelf



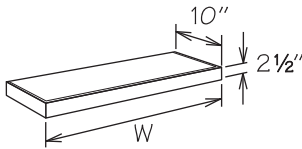
SKU	W	H	Adjustable Shelves
BSPLY1848	18"	48"	3
BSPLY2448	24"	48"	3
BSPLY3048	30"	48"	3
BSPLY3648	36"	48"	3
BSPLY1860	18"	60"	4
BSPLY2460	24"	60"	4
BSPLY3060	30"	60"	4
BSPLY3660	36"	60"	4

OPTIONS NOTES

FE
ID
RD

- Interior finished to match cabinet exterior
- Adjustable $\frac{3}{4}$ " plywood shelves finished to match cabinet exterior included for all construction packages
- All shelving packaged separately for field installation
- All construction packages feature plywood box construction

Floating Shelf

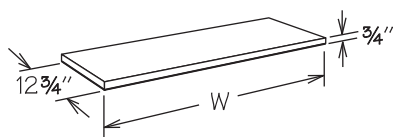


SKU	W	Maximum Load
FLSH2410	24"	30 lbs.
FLSH3010	30"	37 lbs.
FLSH3610	36"	45 lbs.
FLSH4210	42"	52 lbs.
FLSH4810	48"	60 lbs.

NOTES

- Not trimmable
- Finished on all sides to match cabinet exterior
- Veneered engineered wood top and bottom and solid wood front and sides for all construction packages
- Must be secured to studs in wall
- Installation instructions, metal mounting brackets and screws included

Finished Shelf

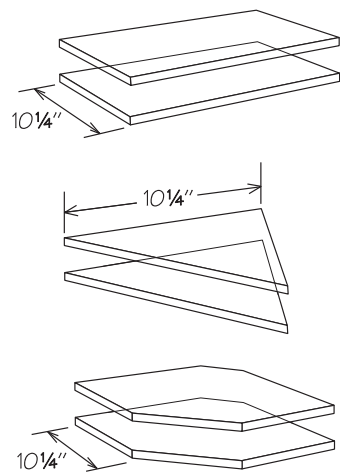


SKU	W
FS4812	48 1/4"
FS6012	60 1/4"
FS7212	72 1/4"

NOTES

- Veneered engineered wood, edge banded all sides for all construction packages
- Field trimmable

Glass Shelf Kit • 12" Deep

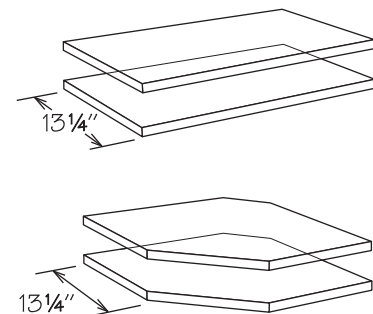


SKU	
GSK12	GSK30
GSK15	GSK33
GSK18	GSK36
GSK21	GSKCW24
GSK24	GSKWEA12
GSK27	

NOTES

- For use in 12" deep wall cabinets
- Glass Shelf Kit includes two 1/4" high-strength tempered glass shelves
- Kit does not include shelf rest
- Refer to individual SKU box for number of shelves required and/or available
- Tempered glass cannot be field trimmed
- Glass Shelf Kits 12"-24" wide have a 15 lb. per square foot load rating
- Glass Shelf Kits 27"-36" wide have a 5 lb. per square foot load rating

Glass Shelf Kit • 15" Deep

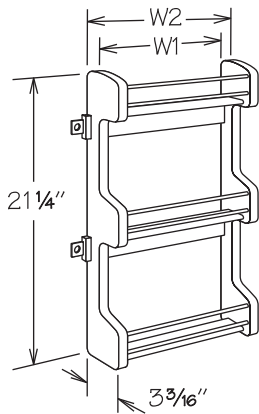


SKU	
GSK12-15	GSK27-15
GSK15-15	GSK30-15
GSK18-15	GSK33-15
GSK21-15	GSK36-15
GSK24-15	GSKCW27

NOTES

- For use in 15" deep wall cabinets
- Glass Shelf Kit includes two 1/4" high-strength tempered glass shelves
- Kit does not include shelf rests
- Refer to individual cabinet SKU box for number of shelves required and/or available
- Tempered glass cannot be field trimmed
- Glass Shelf Kits 12" - 24" wide have a 15 lb. per square foot load rating
- Glass Shelf Kits 27" - 36" wide have a 5 lb. per square foot load rating

Spice Rack Kit

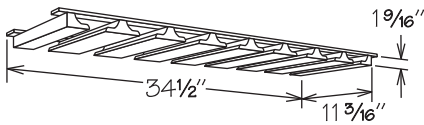


SKU	W1	W2
SRK15	9 1/2"	10 1/2"
SRK18	12 1/2"	13 1/2"
SRK21	15 1/2"	16 1/2"

NOTES

- Field installation accessory
- Position cabinet adjustable shelves prior to installation
- For Wall cabinets 30" or higher
- Natural finish solid wood with chrome rails
- Three fixed shelves
- SRK15 mounts to 15" or 16" wide door
- SRK18 mounts to 18" or 19" wide door
- SRK21 mounts to 21" wide door

Stem Glass Holder



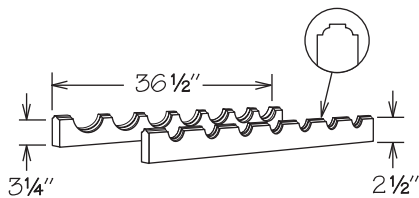
SKU

SGH36U

NOTES

- Features solid wood finished to match cabinet exterior
- For installation below 36" wide Wall cabinet
- Field trimmable to install below 30", 24" or 18" wide Wall cabinet
- Maximum stem glass base diameter is 3 1/2"
- Not sized to fit modified depth cabinets

Wine Rack



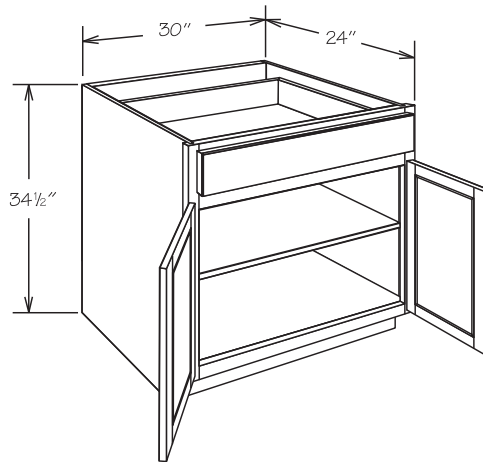
SKU

WR36

NOTES

- Features solid wood finished to match cabinet exterior
- Sized to hold seven bottles
- Field trimmable to 24" (five bottles) or 30" (six bottles)

base cabinets



AVAILABLE OPTIONS

- CFO** Cabinet Front Only
- FE** Furniture Ends
- ID** Increased Depth
- RD** Reduced Depth
- RTK** Recessed Toe Kick
- VTD** Void Top Drawer

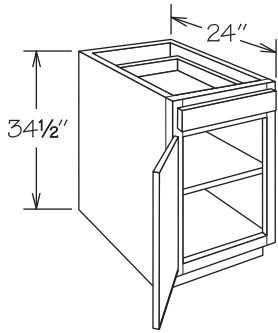
DIMENSIONS

WIDTH	HEIGHT	DEPTH
6" to 48"	34 1/2"	24"

SKU CODING

B	30	BUTT
Cabinet Type	Width in Inches	Door Type

Base • 1 Door • 1 Drawer

**SKU**

B12

B15

B18

B21

B24

OPTIONS

CFO

FE

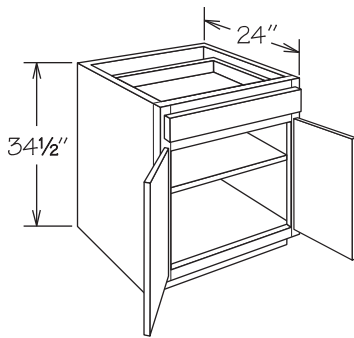
RD

RTK

NOTES

- Features one adjustable shelf
- Hinged left, can be reversed in the field

Base • 2 Butt Doors • 1 Drawer

**SKU**

B24 BUTT

B27 BUTT

B30 BUTT

B33 BUTT

B36 1TD BUTT

OPTIONS

CFO

FE

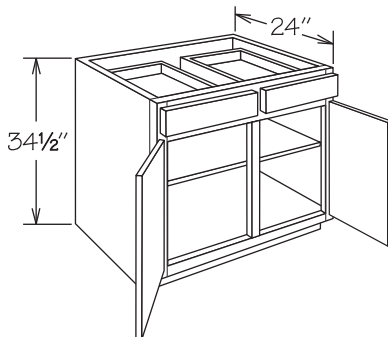
RD

RTK

NOTES

- Features one adjustable shelf

Base • 2 Doors with Center Stile • 2 Drawers

**SKU**

B39

B42

B48

OPTIONS

CFO

FE

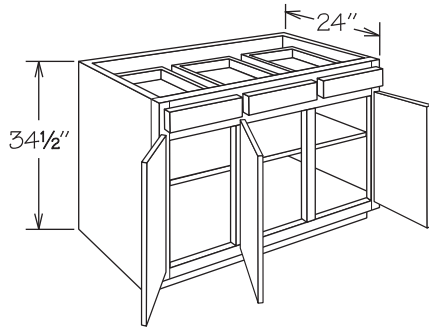
RD

RTK

NOTES

- Features one adjustable shelf

Base • 3 Doors • 3 Drawers



SKU

B45

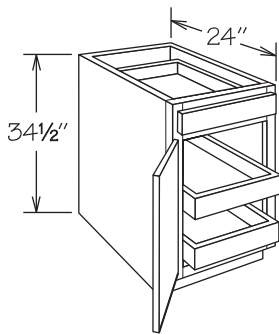
OPTIONS

CFO
FE
RD
RTK

NOTES

- Features one adjustable shelf
- Full-depth shelf for **select** and **luxury** must be installed through top of cabinet and cannot be removed through door opening
- Hinged as shown – center door may be reversed in field

Base • 1 Door • 1 Drawer • 2 Deep Roll Out Trays



SKU

B12 2FWT
B15 2FWT
B18 2FWT
B21 2FWT
B24 2FWT

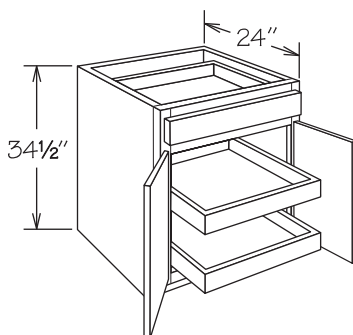
OPTIONS

FE
RD
RTK
VTD

NOTES

- Two dovetail Deep Roll Out Trays
- Deep Roll Out Trays are not adjustable
- Hinged left, can be reversed in the field

Base • 2 Butt Doors • 1 Drawer • 2 Deep Roll Out Trays



SKU

B24 2FWT BUTT
B27 2FWT BUTT
B30 2FWT BUTT
B33 2FWT BUTT
B36 1TD 2FWT BUTT

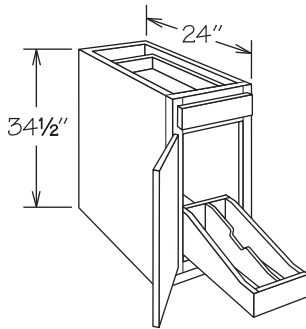
OPTIONS

FE
RD
RTK
VTD

NOTES

- Two dovetail Deep Roll Out Trays
- Deep Roll Out Trays are not adjustable

Base with Roll Out Tray Divider

**SKU**

B12 ROTD

B15 ROTD

OPTIONS

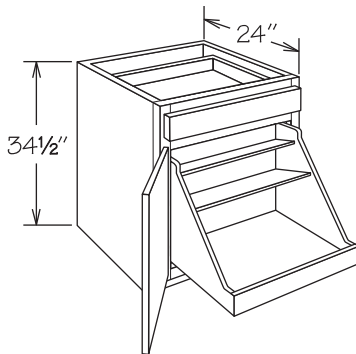
FE

RTK

NOTES

- Roll Out Tray Divider features natural finish solid wood, wood veneer and dovetail (front only) construction with MDF bottom for all construction packages
- No shelf
- B12__ROTD features two compartments (one partition)
- B15__ROTD features three compartments (two partitions)
- Partition(s) are field installed
- Hinged left, can be reversed in the field

Base Pot and Pan Organizer • 1 Door • 1 Drawer

**SKU**

B24 BPPO

OPTIONS

FE

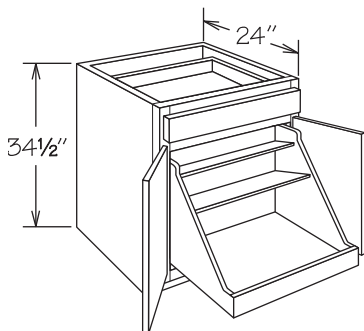
RTK

VTD

NOTES

- Organizer features natural finish solid wood, wood veneer and dovetail (front only) construction with MDF bottom for all construction packages
- Top shelf measures 6 3/16" deep
- Middle shelf measures 9 3/4" deep
- Hinged left, can be reversed in the field

Base Pot and Pan Organizer • 2 Butt Doors • 1 Drawer

**SKU**

B24 BUTT BPPO

B27 BUTT BPPO

B30 BUTT BPPO

B33 BUTT BPPO

B36 1TD BUTT BPPO

OPTIONS

FE

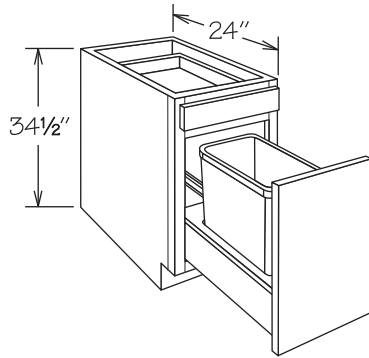
RTK

VTD

NOTES

- Organizer features natural finish solid wood, wood veneer and dovetail (front only) construction with MDF bottom for all construction packages
- Top shelf measures 6 3/16" deep
- Middle shelf measures 9 3/4" deep

Base • 1 Door • 1 Drawer • 1 Bottom Mount Wastebasket

**SKU**

BWBB15

OPTIONS

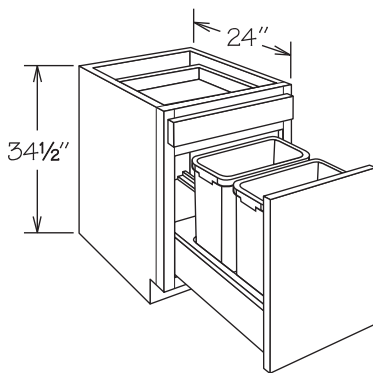
FE

RTK

NOTES

- Features one silver plastic 35-quart capacity bin
- Wastebaskets rest in a natural finish frame
- **essential** wastebasket frame slides on full-access heavy duty glides
- **select** and **luxury** wastebasket frame slides on full-access soft-close heavy duty glides
- Decorative hardware strongly recommended

Base • 1 Door • 1 Drawer • 2 Bottom Mount Wastebaskets

**SKU**

BWBB15-2

BWBB18-2

BWBB21-2

OPTIONS

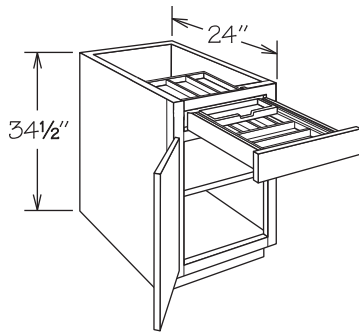
FE

RTK

NOTES

- BWBB15-2 features two silver plastic 27-quart capacity bins
- BWBB18-2 and BWBB21-2 feature two silver plastic 35-quart capacity bins
- Wastebaskets rest in a natural finish frame
- **essential** wastebasket frame slides on full-access heavy duty glides
- **select** and **luxury** wastebasket frame slides on full-access soft-close heavy duty glides
- Decorative hardware strongly recommended

Base with Wood Tiered Cutlery Divider



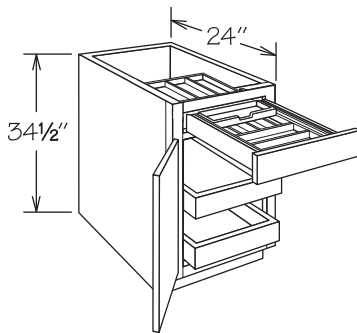
SKU	Doors	Upper Sections	Lower Sections
B15 WTCD	1	5	5
B18 WTCD	1	5	6
B21 WTCD	1	6	7
B24 WTCD	1	7	7
B24 BUTT WTCD	2	7	7

OPTIONS **NOTES**

FE
RTK

- Features 21" deep drawer box with Full-Access Hidden Glides for all construction packages
- Double tiered cutlery divider slides independently from drawer
- Wood Tiered Cutlery Divider is solid hardwood and plywood in natural finish
- Features one adjustable shelf
- Hinged left, can be reversed in the field

Base with Wood Tiered Cutlery Divider • 2 Deep Roll Out Trays



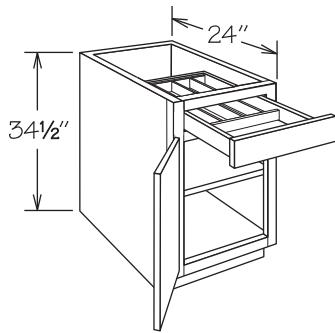
SKU	Doors	Upper Sections	Lower Sections
B15 2FWT WTCD	1	5	5
B18 2FWT WTCD	1	5	6
B21 2FWT WTCD	1	6	7
B24 2FWT WTCD	1	7	7
B24 2FWT BUTT WTCD	2	7	7

OPTIONS **NOTES**

FE
RTK

- Deep Roll Out Trays are not adjustable
- Features 21" deep drawer box with Full-Access Hidden Glides for all construction packages
- Double tiered cutlery divider slides independently from drawer
- Wood Tiered Cutlery Divider is solid hardwood and plywood in natural finish
- Hinged left, can be reversed in the field

Base with Cutlery Divider



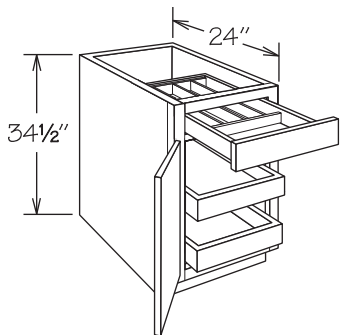
SKU	Doors	Sections
B15 CD	1	3
B18 CD	1	4
B21 CD	1	5
B24 CD	1	5
B24 BUTT CD	2	5

OPTIONS NOTES

FE
RTK

- Features 21" deep drawer box with Full-Access Hidden Glides for all construction packages
- Cutlery Divider is solid hardwood and plywood in natural finish
- Features one adjustable shelf
- Hinged left, can be reversed in the field

Base with Cutlery Divider • 2 Deep Roll Out Trays



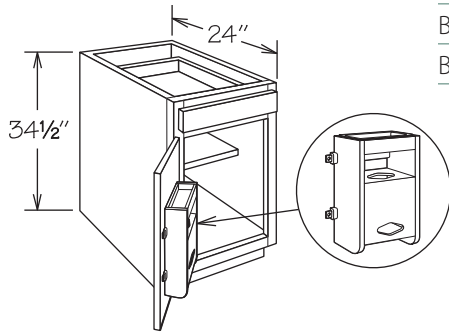
SKU	Doors	Sections
B15 2FWT CD	1	3
B18 2FWT CD	1	4
B21 2FWT CD	1	5
B24 2FWT CD	1	5
B24 2FWT BUTT CD	2	5

OPTIONS NOTES

FE
RTK

- Deep Roll Out Trays are not adjustable
- Features 21" deep drawer box with Full-Access Hidden Glides for all construction packages
- Cutlery Divider is solid hardwood and plywood in natural finish
- Hinged left, can be reversed in the field

Base • 1 Door • 1 Drawer • Plastic Bag Door Storage Unit



SKU

B15 PBDSU

B18 PBDSU

OPTIONS

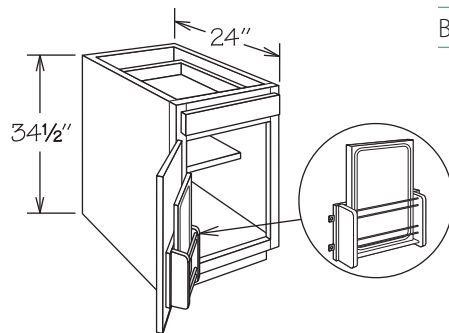
FE

RTK

NOTES

- Plastic Bag Door Storage Unit packaged separately for field installation
- Unit features natural finish solid wood and wood veneer
- Full-depth adjustable shelf for **select** and **luxury** must be field trimmed to half-depth
- Cannot be accessorized with Deep Roll Out Tray(s)
- Removable white plastic tray is NOT dishwasher safe
- Hinged left, can be reversed in the field

Base • 1 Door • 1 Drawer • Cutting Board Door Rack Kit



SKU

B18 CBDR

OPTIONS

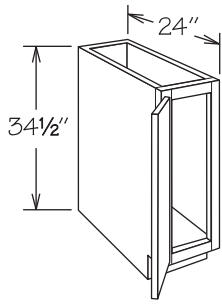
FE

RTK

NOTES

- Cutting Board Door Rack Kit packaged separately for field installation
- Kit features natural finish solid wood with chrome rails
- Full-depth adjustable shelf for **select** and **luxury** must be field trimmed to half-depth
- Cannot be accessorized with Deep Roll Out Tray(s)
- Solid wood cutting board is NOT dishwasher safe
- Cutting Board measures 15¹⁵/₁₆" x 10⁹/₁₆" x 1³/₁₆"
- Hinged left, can be reversed in the field

Full-Height Base • 1 Door • No Shelf

**SKU**

TB9

OPTIONS

CFO

FE

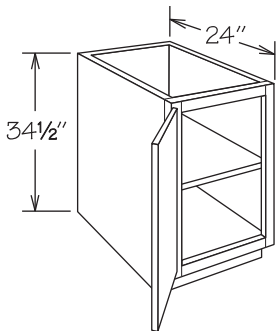
RD

RTK

NOTES

- No shelf
- Full-height door
- For vertical tray storage
- Order S924 adjustable shelf separately
- Not available with Recessed Toe Kick Both (RTKB) Option
- Hinged left, can be reversed in the field

Full-Height Base • 1 Door • 1 Adjustable Shelf

**SKU**

B12 FH

B15 FH

B18 FH

B21 FH

OPTIONS

CFO

FE

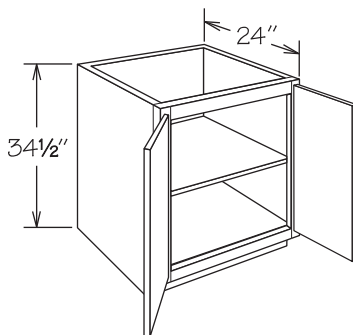
RD

RTK

NOTES

- One adjustable shelf
- Full-height door
- Hinged left, can be reversed in the field

Full-Height Base • 2 Butt Doors • 1 Adjustable Shelf

**SKU**

B24 BUTT FH

B30 BUTT FH

B36 BUTT FH

OPTIONS

CFO

FE

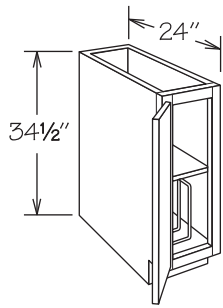
RD

RTK

NOTES

- One adjustable shelf
- Full-height doors

Full-Height Base • 1 Door • 1 Shelf • 1 Tray Divider

**SKU**

TB9 TDS

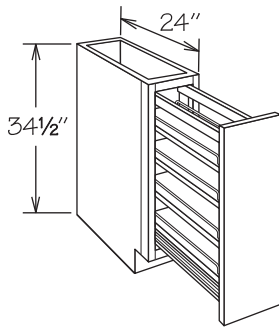
OPTIONS

FE
RD
RTK

NOTES

- One full-depth adjustable shelf for all construction packages
- Full-height door
- TD3 Cabinet Tray Divider packaged separately for field installation
- Reduced Depth minimum is 14"
- Not available with Recessed Toe Kick Both (RTKB) option
- Hinged left, can be reversed in the field

Base Pantry Pull Out

**SKU**

BPP9

BPP12

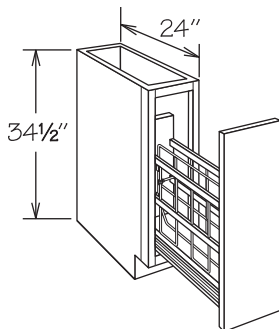
OPTIONS

FE
RTK

NOTES

- **select** and **luxury** construction packages feature full-access soft-close glides and **essential** features full-access glides
- Full-height door
- One fixed and three adjustable shelves with chrome rails
- BPP9 not available with Recessed Toe Kick Both (RTKB) option

Base Tray Divider Pull Out

**SKU**

BTDP9

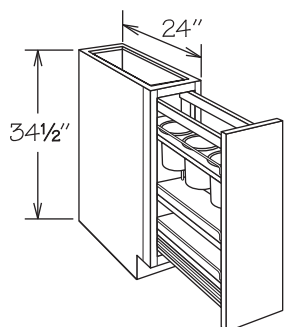
OPTIONS

FE
RTK

NOTES

- **select** and **luxury** construction packages feature full-access soft-close glides and **essential** features full-access glides
- Full-height door
- Tray divider is adjustable to accommodate various storage solutions
- Adjustable T-Bar included for storage customization
- Not available with Recessed Toe Kick Both (RTKB) option

Full-Height Base Pantry Pull Out Utensil Storage



SKU

BPPUS9

BPPUS12

OPTIONS

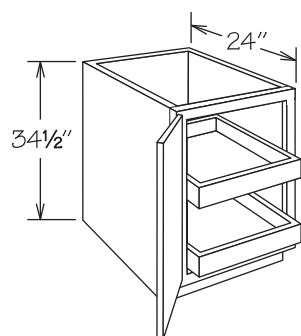
FE

RTK

NOTES

- Full-height door
- **select** and **luxury** construction packages feature full-access soft-close glides and **essential** features full-access glides
- Bottom natural finish shelf with chrome rails
- Upper natural finish fixed shelf with chrome rails and three stainless steel removable storage bins
- Stainless steel bins measure 5 1/4" wide by 6 7/8" deep
- BPPUS9 not available with Recessed Toe Kick Both (RTKB) option

Full-Height Base • 1 Door • 2 Deep Roll Out Trays



SKU

B18 FH 2FWT

OPTIONS

FE

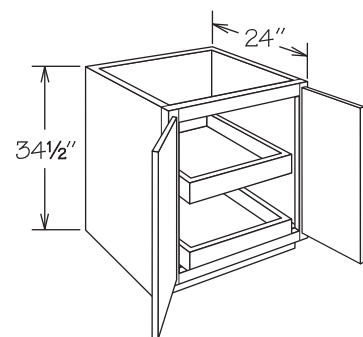
RD

RTK

NOTES

- Full-height door
- Two Dovetail Deep Roll Out Trays (DROT)
- Hinged left, can be reversed in the field

Full-Height Base • 2 Butt Doors • 2 Deep Roll Out Trays



SKU

B24 BUTT FH 2FWT

B30 BUTT FH 2FWT

OPTIONS

FE

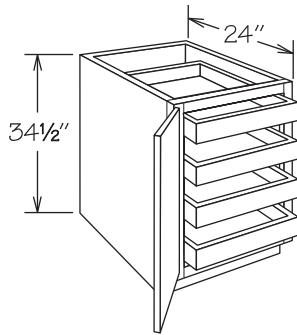
RD

RTK

NOTES

- Full-height doors
- Two Dovetail Deep Roll Out Trays (DROT)

Full-Height Base • 1 Door • 4 Deep Roll Out Trays

**SKU**

B18 FH 4FWT

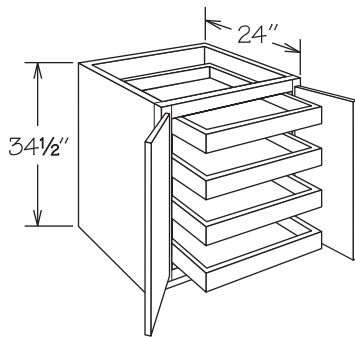
OPTIONS

FE
RD
RTK

NOTES

- Full-height door
- Four Dovetail Deep Roll Out Trays (DROT)
- Hinged left, can be reversed in the field

Full-Height Base • 2 Butt Doors • 4 Deep Roll Out Trays

**SKU**

B24 BUTT FH 4FWT

B30 BUTT FH 4FWT

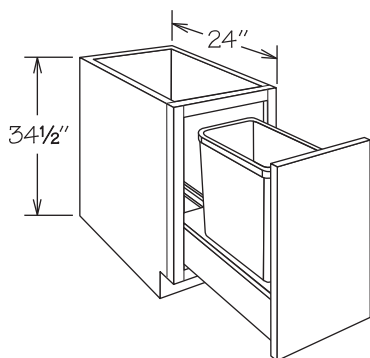
OPTIONS

FE
RD
RTK

NOTES

- Full-height door
- Four Dovetail Deep Roll Out Trays (DROT)

Full-Height Base • 1 Bottom Mount Wastebasket



SKU

BWBB15 FH

BWBB18 FH

OPTIONS

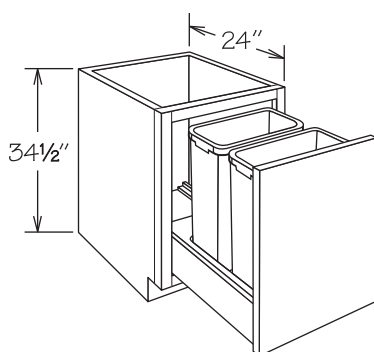
FE

RTK

NOTES

- Full-height door
- Features one silver plastic 50-quart capacity bin
- Wastebasket rests in a natural finish frame
- **essential** wastebasket frame slides on full-access heavy duty glides
- **select** and **luxury** wastebasket frame slides on full-access soft-close heavy duty glides
- Decorative hardware strongly recommended

Full-Height Base • 2 Bottom Mount Wastebaskets



SKU

BWBB21-2 FH

OPTIONS

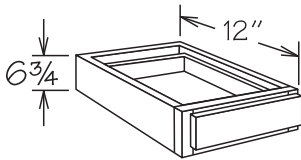
FE

RTK

NOTES

- Full-height door
- Features two silver plastic 50-quart capacity bins
- Wastebasket rests in a natural finish frame
- **essential** wastebasket frame slides on full-access heavy duty glides
- **select** and **luxury** wastebasket frame slides on full-access soft-close heavy duty glides
- Decorative hardware strongly recommended

Furniture Drawer Cabinet • 6" High • 12" Deep

**SKU**

FD121206

FD151206

FD181206

FD211206

FD241206

FD271206

FD301206

FD331206

FD361206

OPTIONS

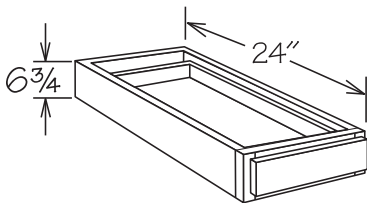
CFO

FE

NOTES

- One standard drawer
- No toe kick
- Bottom of cabinet must be fully supported

Furniture Drawer Cabinet • 6" High • 24" Deep

**SKU**

FD122406

FD152406

FD182406

FD212406

FD242406

FD272406

FD302406

FD332406

FD362406

OPTIONS

CFO

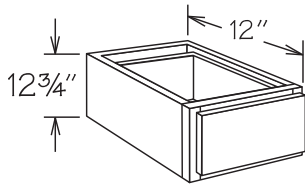
FE

RD

NOTES

- One standard drawer
- No toe kick
- Bottom of cabinet must be fully supported
- Reduced depth minimum is 13"

Furniture Drawer Cabinet • 12" High • 12" Deep



SKU

- FD121212
- FD151212
- FD181212
- FD211212
- FD241212
- FD271212
- FD301212
- FD331212
- FD361212

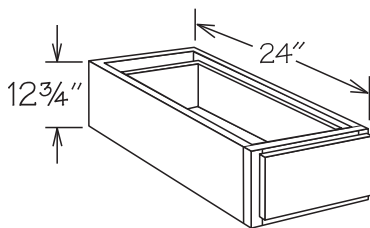
OPTIONS

- | |
|-----|
| CFO |
| FE |

NOTES

- One large drawer
- No toe kick
- Bottom of cabinet must be fully supported

Furniture Drawer Cabinet • 12" High • 24" Deep



SKU

- FD122412
- FD152412
- FD182412
- FD212412
- FD242412
- FD272412
- FD302412
- FD332412
- FD362412

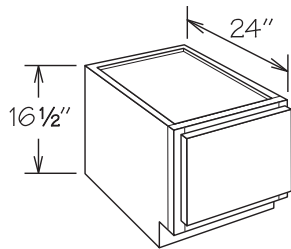
OPTIONS

- | |
|-----|
| CFO |
| FE |
| RD |

NOTES

- One large drawer
- No toe kick
- Bottom of cabinet must be fully supported
- Reduced depth minimum is 13"

Pedestal Drawer Base



SKU

PD1217 1DWR

PD1517 1DWR

PD1817 1DWR

PD2117 1DWR

PD2417 1DWR

PD2717 1DWR

PD3017 1DWR

PD3317 1DWR

PD3617 1DWR

OPTIONS

CFO

FE

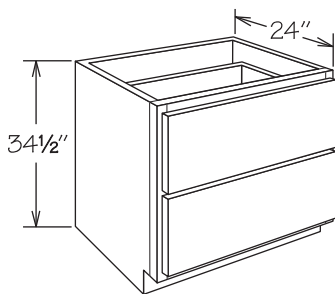
RD

RTK

NOTES

- One large drawer
- Features solid top

Drawer Base • 2 Drawers



SKU

DB30 2DWR

DB36 2DWR

OPTIONS

CFO

FE

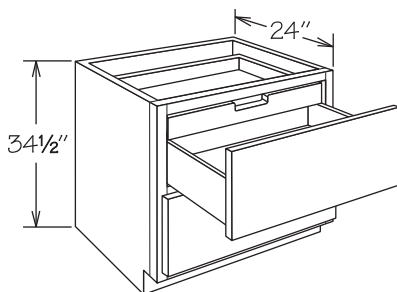
RD

RTK

NOTES

- Two large drawers with extra large drawer fronts
- Reduced Depth Minimum is 21"
- Features full-access soft-close heavy duty glides for all construction packages
- Features 21" deep dovetail drawer box for all construction packages

Drawer Base • 2 Drawers • 1 Scalloped Roll Out Tray



SKU

DB30 2DWR SFWT

DB36 2DWR SFWT

OPTIONS

FE

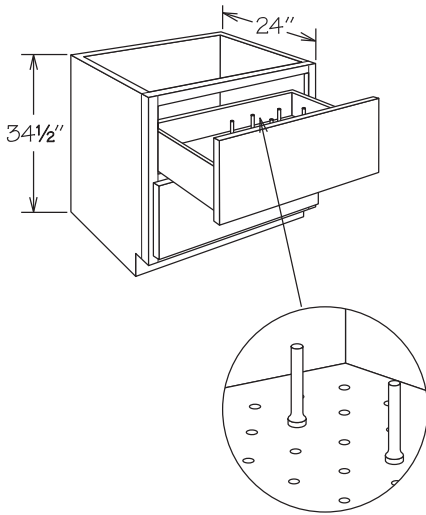
RD

RTK

NOTES

- Two large drawers with extra large drawer fronts
- Reduced Depth Minimum is 21"
- Drawers feature full-access soft-close heavy duty glides for all construction packages
- Features full-access soft-close Scalloped Deep Roll Out Tray in top opening for all construction packages
- Features 21" deep dovetail drawer box for all construction packages

Drawer Base • 2 Drawers • 1 Peg Dish Organizer



SKU

DB30 2DWR PDO
DB36 2DWR PDO

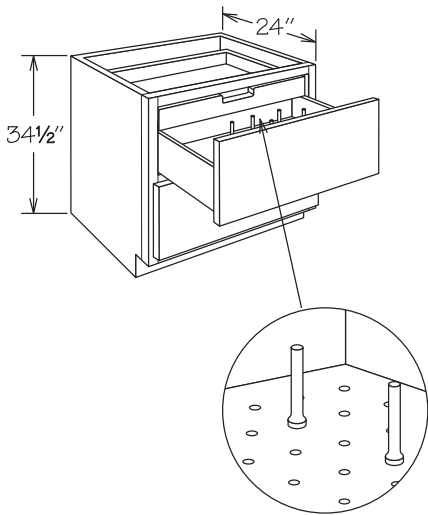
OPTIONS

FE
RTK

NOTES

- Two large drawers with extra large drawer fronts
- Features full-access soft-close heavy duty glides for all construction packages
- One Peg Dish Organizer in natural finish and features 12 adjustable pegs packaged separately for field installation
- Additional pegs available as an accessory (PEG KIT 4 PK)
- Features 21" deep dovetail drawer box for all construction packages

Drawer Base • 2 Drawers • 1 Peg Dish Organizer • 1 Scalloped Roll Out Tray



SKU

DB30 2DWR SFWT PDO
DB36 2DWR SFWT PDO

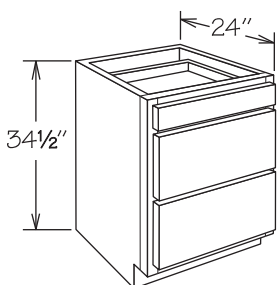
OPTIONS

FE
RTK

NOTES

- Two large drawers with extra large drawer fronts
- Drawers feature full-access soft-close heavy duty glides for all construction packages
- Features full-access soft-close Scalloped Deep Roll Out Tray in top opening for all construction packages
- One Peg Dish Organizer in natural finish and features 12 adjustable pegs packaged separately for field installation
- Additional pegs available as an accessory (PEG KIT 4 PK)
- Features 21" deep dovetail drawer box for all construction packages

Drawer Base • 3 Drawers



SKU

DB12
DB15
DB18
DB21
DB24
DB27
DB30
DB33
DB36 1TD

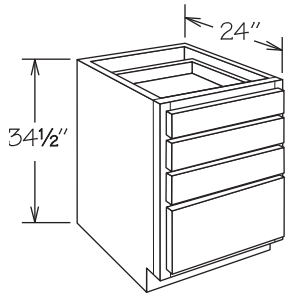
OPTIONS

CFO
FE
RD
RTK
VTD

NOTES

- One standard and two large drawers

Drawer Base • 4 Drawers

**SKU**

DB12 4DWR

DB15 4DWR

DB18 4DWR

DB21 4DWR

DB24 4DWR

OPTIONS

CFO

FE

RD

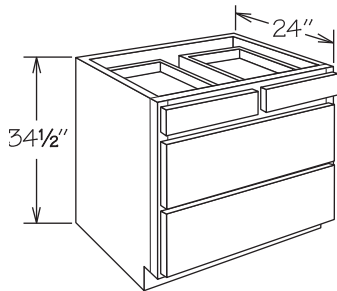
RTK

VTD

NOTES

- One large and three standard drawers

Drawer Base • 4 Drawers

**SKU**

DB36

OPTIONS

CFO

FE

RD

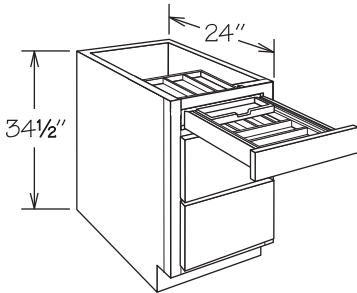
RTK

VTD

NOTES

- Two standard and two large drawers

3 Drawer Base • with Wood Tiered Cutlery Divider



SKU	Upper Sections	Lower Sections
DB15 WTCD	5	5
DB18 WTCD	5	6
DB21 WTCD	6	7
DB24 WTCD	7	7

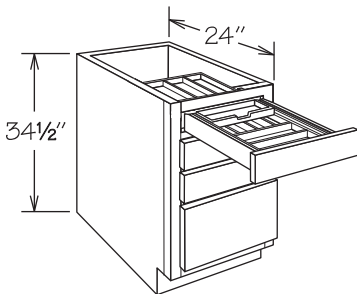
OPTIONS

FE
RTK

NOTES

- One standard and two large drawers
- Wood Tiered Cutlery Divider factory installed in top drawer only
- Features 21" deep drawer box with full-access hidden glides for all construction packages

4 Drawer Base • with Wood Tiered Cutlery Divider



SKU	Upper Sections	Lower Sections
DB15 4DWR WTCD	5	5
DB18 4DWR WTCD	5	6
DB21 4DWR WTCD	6	7
DB24 4DWR WTCD	7	7

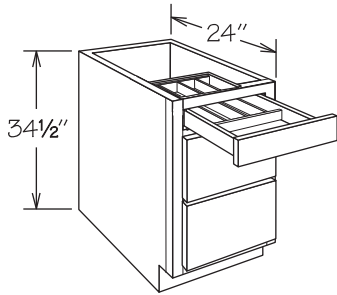
OPTIONS

FE
RTK

NOTES

- Three standard and one large drawers
- Wood Tiered Cutlery Divider factory installed in top drawer only
- Features 21" deep drawer box with full-access hidden glides for all construction packages

3 Drawer Base • With Cutlery Divider



SKU	Sections
DB15 CD	3
DB18 CD	4
DB21 CD	5
DB24 CD	5

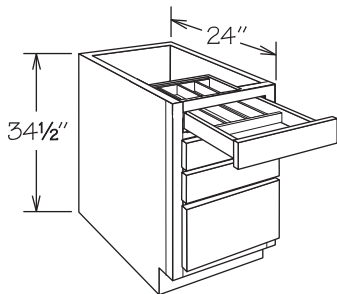
OPTIONS

FE
RTK

NOTES

- One standard and two large drawers
- Cutlery Divider is solid hardwood and plywood in natural finish
- Features 21" deep drawer box with full-access hidden glides for all construction packages

4 Drawer Base • With Cutlery Divider



SKU	Sections
DB15 4DWR CD	3
DB18 4DWR CD	4
DB21 4DWR CD	5
DB24 4DWR CD	5

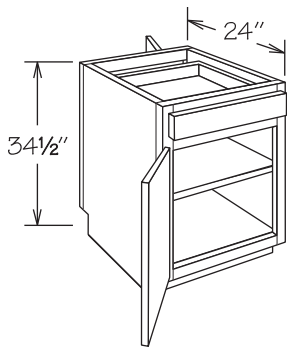
OPTIONS

FE
RTK

NOTES

- One standard and two large drawers
- Cutlery Divider is solid hardwood and plywood in natural finish
- Features 21" deep drawer box with full-access hidden glides for all construction packages

Peninsula Base • 2 Doors • 1 Drawer



SKU

- PB12
- PB18
- PB24

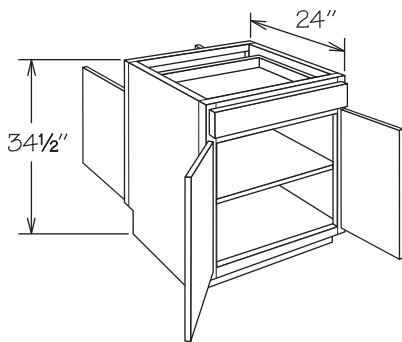
OPTIONS

- | |
|-----|
| FE |
| RD |
| RTK |
| VTD |

NOTES

- Full-depth adjustable shelf for all construction packages
- Drawer accessible on one side only
- Panel on opposite side of drawer
- Drawer side indicates front of cabinet when selecting Recessed Toe Kick Right (RTKR) or Left (RTKL)
- Hinged left, can be reversed in the field

Peninsula Base • 4 Butt Doors • 1 Drawer



SKU

- PB24 BUTT
- PB30 BUTT
- PB36 1TD BUTT

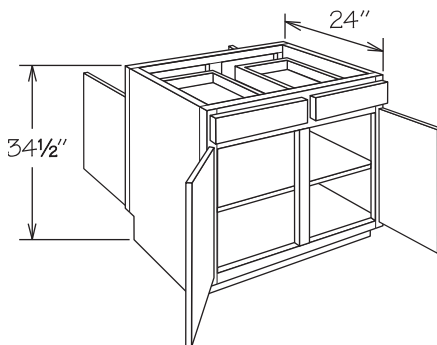
OPTIONS

- | |
|-----|
| FE |
| RD |
| RTK |
| VTD |

NOTES

- Full-depth adjustable shelf for all construction packages
- Drawer accessible on one side only
- Panel on opposite side of drawer
- Drawer side indicates front of cabinet when selecting Recessed Toe Kick Right (RTKR) or Left (RTKL)

Peninsula Base • 4 Doors • Center Stiles • 2 Drawers



SKU

- PB42

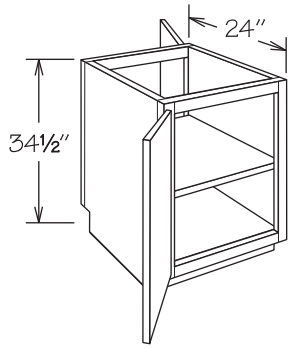
OPTIONS

- | |
|-----|
| FE |
| RD |
| RTK |
| VTD |

NOTES

- Full-depth adjustable shelf for all construction packages
- Drawers accessible on one side only
- Features two panels on opposite side of drawers
- Drawer side indicates front of cabinet when selecting Recessed Toe Kick Right (RTKR) or Left (RTKL)

Full-Height Peninsula Base • 2 Doors

**SKU**

PB12 FH

PB18 FH

OPTIONS

FE

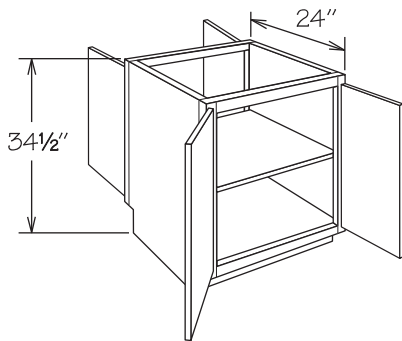
RD

RTK

NOTES

- Full-height doors
- One adjustable shelf
- Hinged left, can be reversed in the field

Full-Height Peninsula Base • 4 Butt Doors

**SKU**

PB24 BUTT FH

PB30 BUTT FH

PB36 BUTT FH

OPTIONS

FE

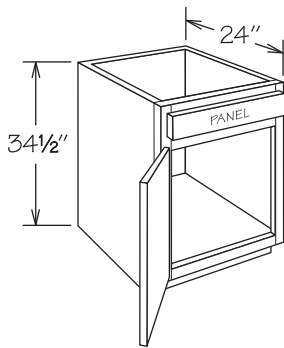
RD

RTK

NOTES

- Full-height doors
- One adjustable shelf

Sink/Cooktop Base • 1 Door • 1 Panel



SKU

SB18
SB21
SB24

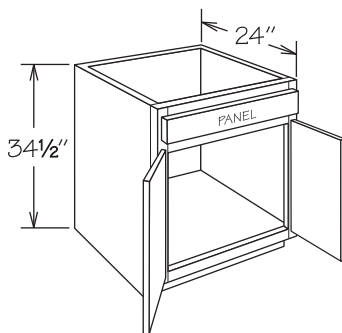
OPTIONS

FE
RD
RTK

NOTES

- No shelf
- Subtract 1 1/2" from width and depth for available opening - removal of corner blocks may be required
- **Refer to sink and appliance manufacturer's specifications for adequate clearance and required installation materials**
- Hinged left, can be reversed in the field

Sink/Cooktop Base • 2 Butt Doors • 1 Panel



SKU

SB24 BUTT
SB27 BUTT
SB30 BUTT
SB33 BUTT
SB36 BUTT

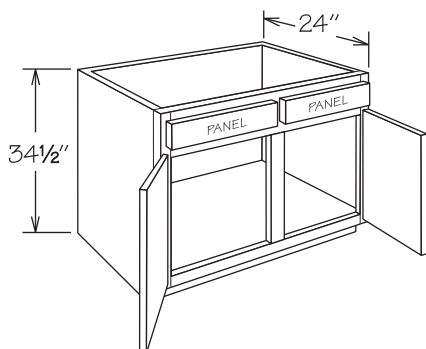
OPTIONS

FE
RD
RTK

NOTES

- No shelf
- Subtract 1 1/2" from width and depth for available opening - removal of corner blocks may be required
- **Refer to sink and appliance manufacturer's specifications for adequate clearance and required installation materials**

Sink/Cooktop Base • 2 Doors • Center Stile • 2 Panels



SKU

SB39
SB42
SB48

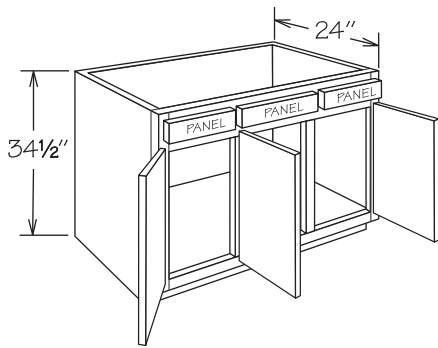
OPTIONS

FE
RD
RTK

NOTES

- No shelf
- Subtract 1 1/2" from width and depth for available opening - removal of corner blocks may be required
- **Refer to sink and appliance manufacturer's specifications for adequate clearance and required installation materials**

Sink/Cooktop Base • 3 Doors • 3 Panels



SKU

SB45

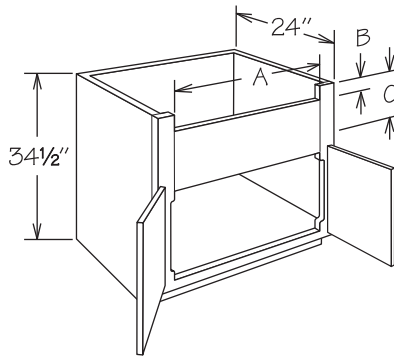
OPTIONS

FE
RD
RTK

NOTES

- No shelf
- Subtract 1 1/2" from width and depth for available opening - removal of corner blocks may be required
- Hinged as shown - center door may be reversed in field
- **Refer to sink and appliance manufacturer's specifications for adequate clearance and required installation materials**

Deep Sink/Range Base • 2 Butt Doors



SKU

	A Min.	A Max.	B	C Max.
DSB30 BUTT	23 3/4"	28"	27/8"	10"
DSB33 BUTT	26 3/4"	31"	27/8"	10"
DSB36 BUTT	29 3/4"	34"	27/8"	10"

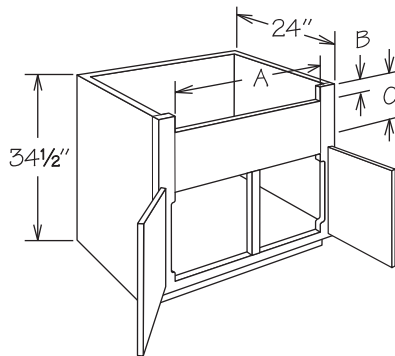
OPTIONS

FE
RD
RTK

NOTES

- Intended for use with farm sinks
- Apron stiles are 3 1/8" wide and trimmable
- A cutout exists in the door area where the 3 1/8" stiles are routed to 1 5/8"
- **Refer to sink and appliance manufacturer's specifications for adequate clearance and required installation materials**

Deep Sink/Range Base • 2 Doors



SKU	A Min.	A Max.	B	C Max.
DSB39	32 3/4"	37"	27 7/8"	10"

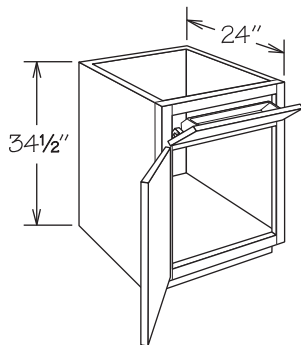
OPTIONS

FE
RD
RTK

NOTES

- Intended for use with farm sinks
- Apron stiles are 3 1/8" wide and trimmable
- A cutout exists in the door area where the 3 1/8" stiles are routed to 1 5/8"
- **Refer to sink and appliance manufacturer's specifications for adequate clearance and required installation materials**

Sink Base • 1 Door • 1 Tilt-Out Tray



SKU

SB18 STO
SB21 STO
SB24 STO

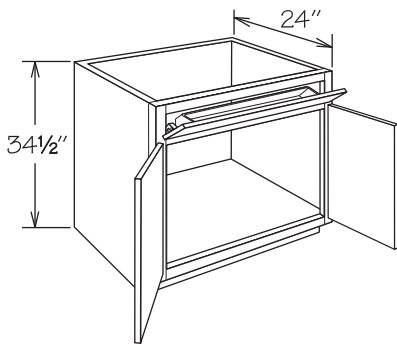
OPTIONS

FE
RD
RTK

NOTES

- No shelf
- Subtract 1 1/2" from width and 3 3/4" from depth for available sink bowl opening - removal of corner blocks may be required
- Stainless Tilt-Out Tray is NOT dishwasher safe
- **Refer to sink and appliance manufacturer's specifications for adequate clearance and required installation materials**
- Hinged left, can be reversed in the field

Sink Base • 2 Butt Doors • 1 Tilt-Out Tray

**SKU**

SB24 BUTT STO

SB27 BUTT STO

SB30 BUTT STO

OPTIONS

FE

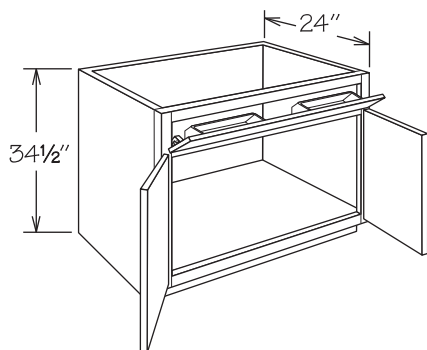
RD

RTK

NOTES

- No shelf
- Subtract 1 1/2" from width and 3 3/4" from depth for available sink bowl opening - removal of corner blocks may be required
- Stainless Tilt-Out Tray is NOT dishwasher safe
- **Refer to sink and appliance manufacturer's specifications for adequate clearance and required installation materials**

Sink Base • 2 Butt Doors • 2 Tilt-Out Trays • 1 Panel

**SKU**

SB33 STO

SB36 STO

OPTIONS

FE

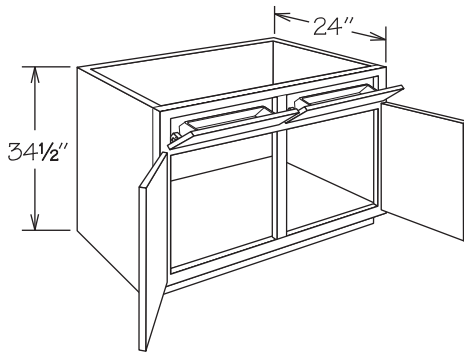
RD

RTK

NOTES

- No shelf
- Subtract 1 1/2" from width and 3 3/4" from depth for available sink bowl opening - removal of corner blocks may be required
- Stainless Tilt-Out Trays are NOT dishwasher safe
- **Refer to sink and appliance manufacturer's specifications for adequate clearance and required installation materials**

Sink Base • 2 Doors • Center Stile • 2 Tilt-Out Trays • 2 Panels



SKU

SB39 STO

SB42 STO

SB48 STO

OPTIONS

FE

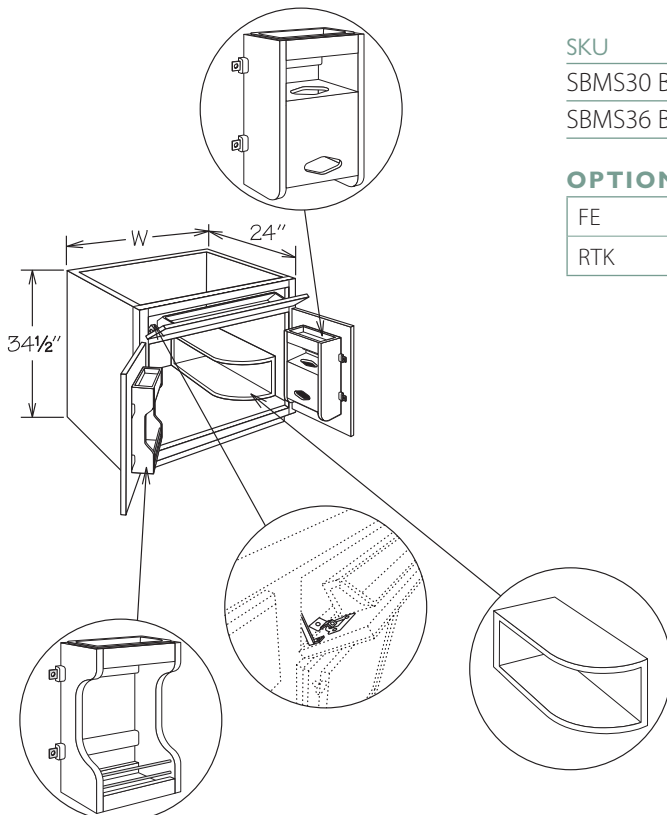
RD

RTK

NOTES

- No shelf
- Subtract 1 1/2" from width and 3 3/4" from depth for available sink bowl opening - removal of corner blocks may be required
- Stainless Tilt-Out Trays are NOT dishwasher safe
- **Refer to sink and appliance manufacturer's specifications for adequate clearance and required installation materials**

Sink Base • Multi-Storage • 2 Butt Doors



SKU

SBMS30 BUTT STO

SBMS36 BUTT STO

W

30"

36"

Tilt-Out Trays

1

2

OPTIONS

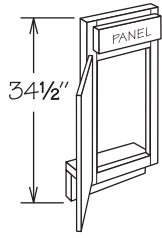
FE

RTK

NOTES

- Features factory installed Sink Base Door Storage Unit on left door and Plastic Bag Door Storage Unit on right door
- Sink Base Multi-Storage Shelf (SBMSS) shipped separately for field installation left or right
- Features factory installed Stainless Tilt-Out Tray(s)
- Sink Base Multi-Storage Shelf measures 8 3/16" wide x 8" high x 17 1/2" deep
- Subtract 1 1/2" from width and 3 3/4" from depth for available sink bowl opening - removal of corner blocks may be required
- Stainless Tilt-Out Tray(s) and white plastic door storage unit trays are NOT dishwasher safe
- **Refer to sink manufacturer's specifications for adequate clearance and required installation materials**

Sink/Cooktop Front • 1 Door • 1 Panel



SKU

SF12

SF15

SF18

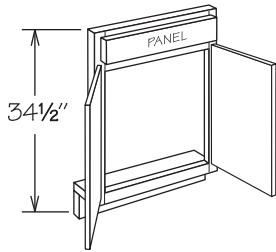
SF21

SF24

NOTES

- Sink/Cooktop Front not trimmable
- **Order floors and returns separately – refer to Panel Section for availability**
- Hinged left, can be reversed in the field

Sink/Cooktop Front • 2 Butt Doors • 1 Panel



SKU

SF24 BUTT

SF27 BUTT

SF30 BUTT

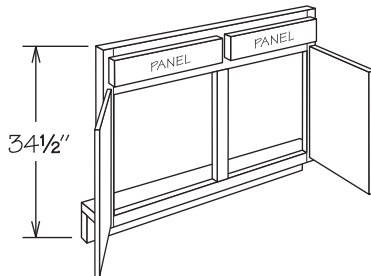
SF33 BUTT

SF36 BUTT

NOTES

- Sink/Cooktop Front not trimmable
- **Order floors and returns separately – refer to Panel Section for availability**

Sink/Cooktop Front with Center Stile



SKU

SF39

SF42

SF45

SF48

Doors

2

2

3

2

Panels

2

2

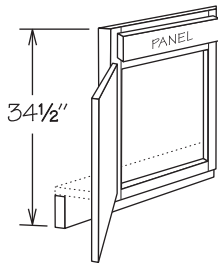
3

2

NOTES

- Sink/Cooktop Front not trimmable
- SF45 features hinged left center door which may be reversed in the field
- **Order floors and returns separately – refer to Panel Section for availability**

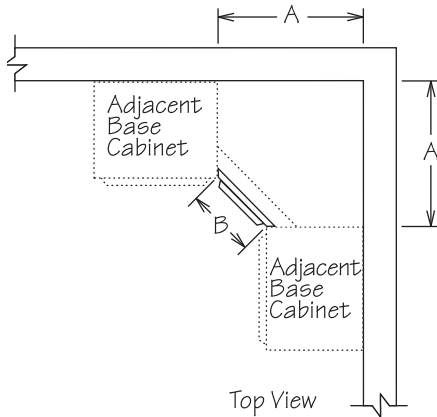
Corner Sink Front • 1 Door • 1 Panel



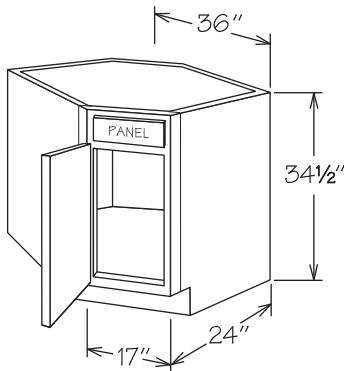
SKU	A	B
CSF36	35 ³ / ₃₂ "	16 ¹⁵ / ₁₆ "
CSF42	42 ¹¹ / ₃₂ "	25 ¹⁵ / ₁₆ "

NOTES

- Corner Sink Front not trimmable
- Vertical edges of frame are mitered to attach to adjacent cabinet frames
- **Order floors and returns separately (trimming may be required) – refer to Panel Section for availability**
- Hinged left, can be reversed in the field



Corner Sink Base • 1 Door • 1 Panel



SKU

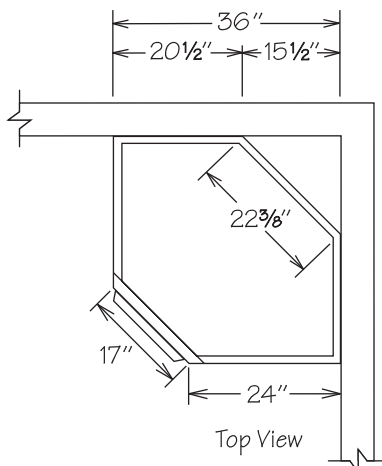
CSB36

OPTIONS

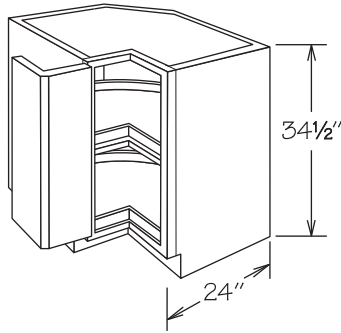
FE

NOTES

- No shelf
- Sides are finished
- Additional space recommended if appliance is installed on either side of this cabinet for proper appliance door operation
- Cabinet features solid top which must be field cut for sink installation as per manufacturer's specifications
- **Maximum sink width is 25 ³/₄" if cut out is 4" back from face of front frame**
- **Refer to sink manufacturer's specifications for adequate clearance and required installation materials**
- Cabinet requires a minimum of 34" to fit through doorway
- Hinged left, can be reversed in the field



Base Super Susan • Wood Spin Units

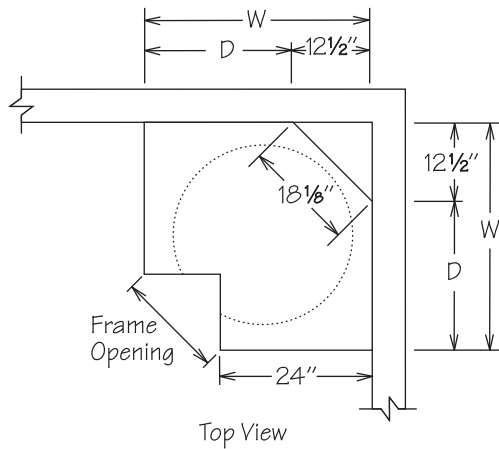


SKU	W	D	Frame Opening
BSS33L WD	33"	20 1/2"	10 7/16"
BSS33R WD	33"	20 1/2"	10 7/16"
BSS36L WD	36"	23 1/2"	14 5/8"
BSS36R WD	36"	23 1/2"	14 5/8"

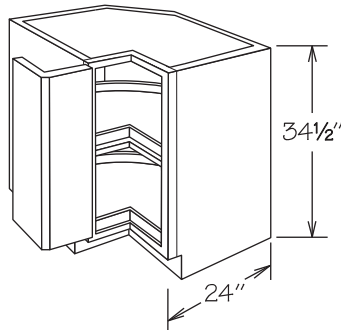
OPTIONS NOTES

FE

- Fixed wood spin unit mounted on cabinet floor
- Features one wood spin unit attached to 3/4" adjustable shelf
- Natural finish wood spin units feature 1" lip
- Wood spin diameter is 28" for BSS33 and 32" for BSS36
- **All door styles must be ordered hinged left or right**
- Sides are finished
- Doors open 170 degrees
- Additional space recommended if appliance is installed on either side of this cabinet for proper door operation
- Cabinet features a solid top
- Cabinet requires a minimum of 34" to fit through doorway



Asymmetrical Base Super Susan • Wood Spin Units

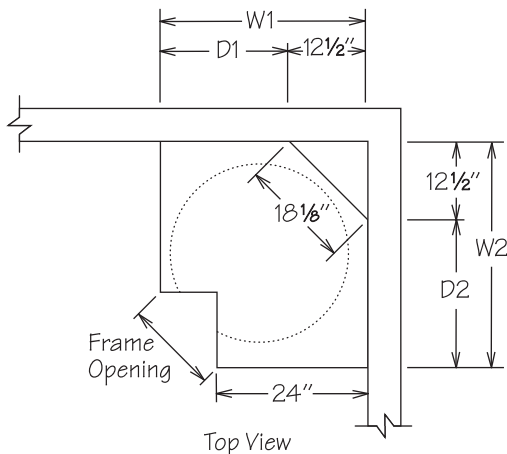


SKU	W1	W2	D1	D2	Frame Opening
BSS3336R WD	33"	36"	20 1/2"	23 1/2"	12 1/2"
BSS3336L WD	33"	36"	20 1/2"	23 1/2"	12 1/2"
BSS3633R WD	36"	33"	23 1/2"	20 1/2"	12 1/2"
BSS3633L WD	36"	33"	23 1/2"	20 1/2"	12 1/2"

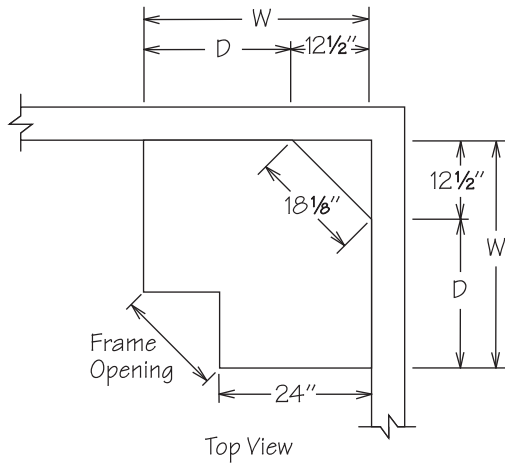
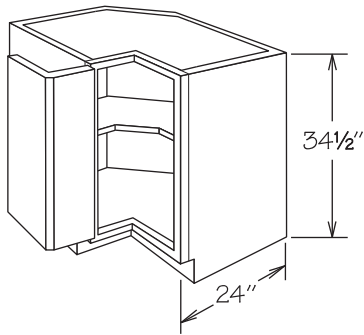
OPTIONS NOTES

FE

- Fixed wood spin unit mounted on cabinet floor
- Features one wood spin unit attached to 3/4" adjustable shelf
- Natural finish wood spin units feature 1" lip and are 28" in diameter
- **All door styles must be ordered hinged left or right**
- Sides are finished
- Doors open 170 degrees
- Additional space recommended if appliance is installed on either side of this cabinet for proper door operation
- Cabinet features a solid top
- Cabinet requires a minimum of 34" to fit through doorway



Base Easy Reach



SKU	W	D	Frame Opening
BER33L	33"	20 1/2"	10 7/16"
BER33R	33"	20 1/2"	10 7/16"
BER36L	36"	23 1/2"	14 5/8"
BER36R	36"	23 1/2"	14 5/8"

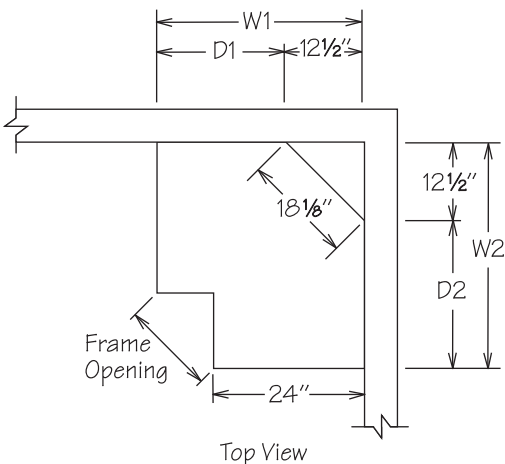
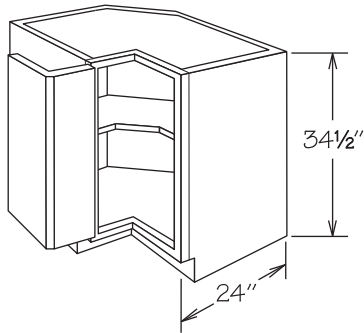
OPTIONS

FE

NOTES

- One adjustable half-depth shelf (non-removable) for all construction packages
- **All door styles must be ordered hinged left or right**
- Sides are finished
- Doors open 170 degrees
- Additional space recommended if appliance is installed on either side of this cabinet for proper door operation
- Cabinet features a solid top
- Cabinet requires a minimum of 34" to fit through doorway

Asymmetrical Base Easy Reach



SKU	W1	W2	D1	D2	Frame Opening
BER3336R	33"	36"	20 1/2"	23 1/2"	12 1/2"
BER3336L	33"	36"	20 1/2"	23 1/2"	12 1/2"
BER3633R	36"	33"	23 1/2"	20 1/2"	12 1/2"
BER3633L	36"	33"	23 1/2"	20 1/2"	12 1/2"

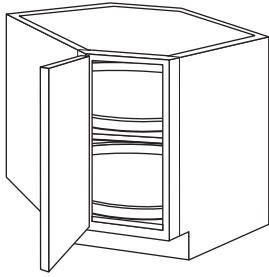
OPTIONS

FE

NOTES

- One adjustable half-depth shelf (non-removable) for all construction packages
- **All door styles must be ordered hinged left or right**
- Sides are finished
- Doors open 170 degrees
- Additional space recommended if appliance is installed on either side of this cabinet for proper door operation
- Cabinet features a solid top
- Cabinet requires a minimum of 34" to fit through doorway

Corner Base • Wood Spin Units



SKU

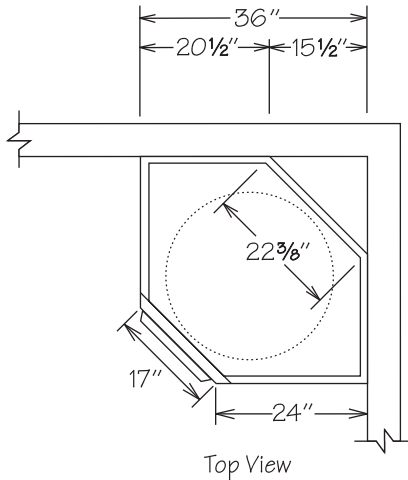
CBS36 WD

OPTIONS

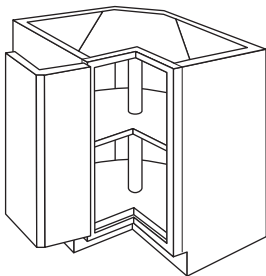
FE

NOTES

- Fixed wood spin unit mounted on cabinet floor
- Features one wood spin unit attached to $\frac{3}{4}$ " adjustable shelf
- Natural finish wood spin units feature 1" lip and are 28" in diameter
- Sides are finished
- Door opens 170 degrees
- Additional space recommended if appliance is installed on the hinge side of this cabinet for proper door operation
- Cabinet features solid top
- Cabinet requires a minimum of 34" to fit through doorway
- Hinged left, can be reversed in the field



Corner Base Carousel



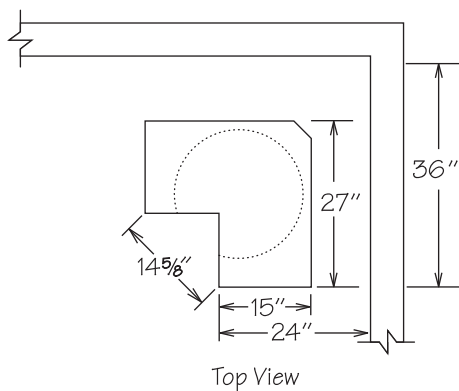
SKU

CAR36L WD

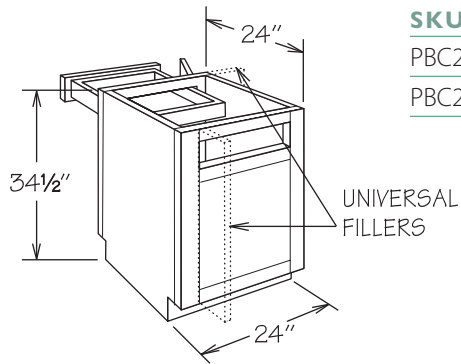
CAR36R WD

NOTES

- Natural finish 24" diameter solid hardwood spin unit features center pole
- **All door styles must be ordered hinged left or right**
- Sides are unfinished
- Doors open 170 degrees
- If unit has an exposed side, order end panel separately
- Additional support for countertop at wall is necessary
- Additional space recommended if appliance is installed on either side of this cabinet for proper door operation
- **Unit must be pulled to install in a 36" x 36" space**



Blind Peninsula Corner Base

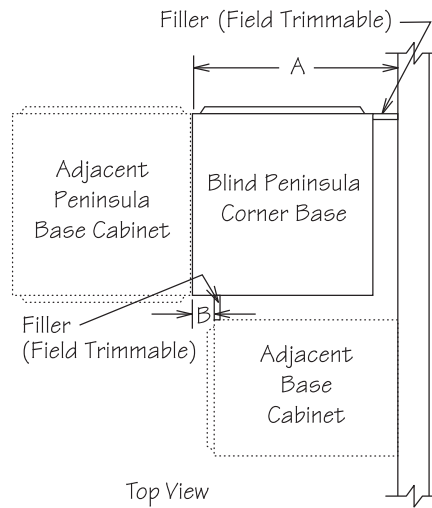


SKU
PBC24
PBC24 BUTT

OPTIONS
FE
RD

- NOTES**
- Full-depth adjustable shelf for all construction packages
 - PBC24 BUTT features two butt doors
 - For left or right installation
 - Universal fillers are recommended for use between cabinet and wall and adjoining base cabinet or appliance for hardware clearance and proper door operation
 - Roll out accessories are not recommended
 - Refer to the chart below for installation specifications
 - Must order Universal Fillers separately
 - PBC24 hinged left, can be reversed in the field

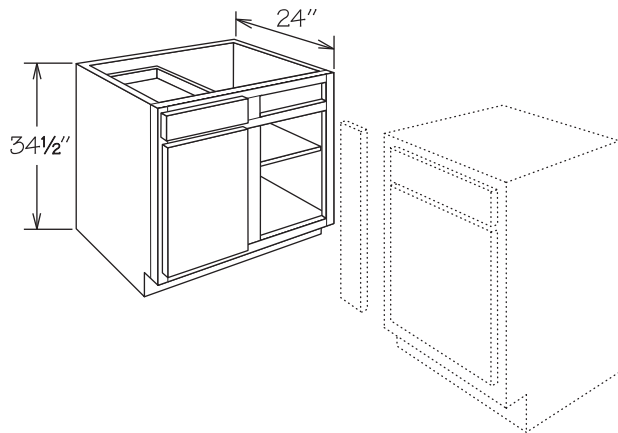
Blind Peninsula Corner Base Installation Chart



CABINET	ACTUAL CABINET WIDTH	DOOR OPENING	DOOR(S)	WALL SPACE A			EXPOSED FRAME B		FILLER (AT WALL)	
				MIN. SPACE	MAX. PULL	MAX.* SPACE	MIN. SPACE	MAX.* SPACE	MIN.	MAX.*
PBC24	24"	20 3/4"	DR2424	26 1/4"	3/4"	27"	2 1/4"	3"	2 1/4"	3"
PBC24 BUTT	24"	20 3/4"	DR1224 BUTT (2)	26 1/4"	3/4"	27"	2 1/4"	3"	2 1/4"	3"

*Must use these dimensions if optional Overlay Fillers will be used.

Blind Corner Base • 1 Door • 1 Drawer



SKU

BLB36/39

BLB39/42

BLB42/45

BLB45/48

BLB48/51

OPTIONS

CFO

FE

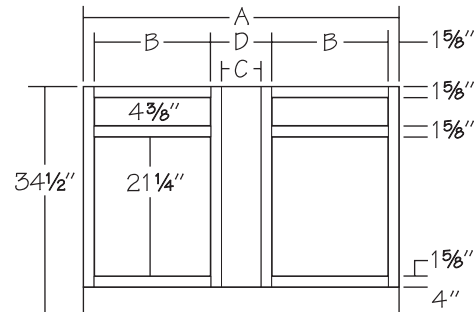
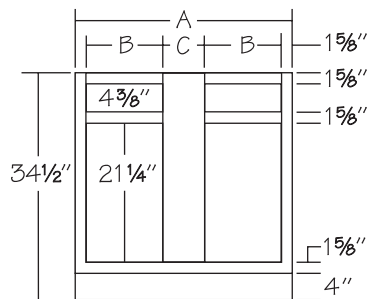
RD

RTK

NOTES

- Includes 1/8" panel to cover blind opening (field trim and install)
- Features one adjustable shelf
- Blind base door and drawer are installed in the left section
- Door and drawer may be reversed in the field as blind sections are identical
- Refer to the charts for installation specifications
- Recessed Toe Kick (RTK) only available as Both (RTKB)
- Must order Universal Filler separately

Blind Corner Base Dimensions

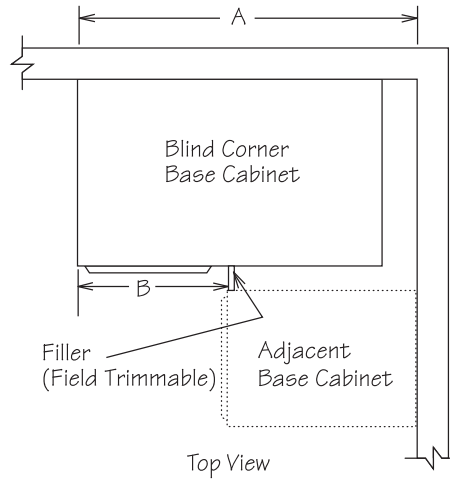


BLB48/51

Cabinet	Cabinet Width	Door Opening	C
	A	B	
BLB36/39	27"	8 3/4"	6 1/4"
BLB39/42	33"	11 3/4"	6 1/4"
BLB42/45	39"	14 3/4"	6 1/4"
BLB45/48	45"	17 3/4"	6 1/4"

Cabinet	Cabinet Width	Door Opening	C	D
	A	B		
BLB48/51	48"	17 3/4"	6"	9 1/4"

Blind Corner Base Installation Chart

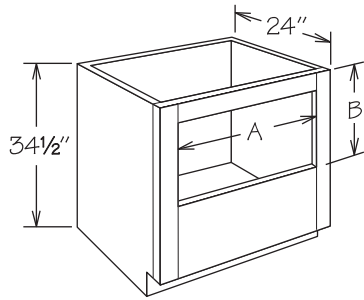


CABINET	ACTUAL CABINET WIDTH	DOOR OPENING	DOOR	WALL SPACE A			EXPOSED FRAME B	
				MIN. SPACE*	MAX. PULL**	MAX. SPACE**	MIN. SPACE*	MAX. SPACE
BLB36/39	27"	8 3/4"	DR1224	38 1/4"	1 3/4"	40"	14 1/4"	16"
BLB39/42	33"	11 3/4"	DR1524	41 1/4"	1 3/4"	43"	17 1/4"	19"
BLB42/45	39"	14 3/4"	DR1824	44 1/4"	1 3/4"	46"	20 1/4"	22"
BLB45/48	45"	17 3/4"	DR2124	47 1/4"	1 3/4"	49"	23 1/4"	25"
BLB48/51	48"	17 3/4"	DR2124	48"	4"	52"	24"	28"

*Dimension requirements do not include optional Overlay Fillers – add 7/8" if Overlay Fillers will be used, except for BLB48/51 add 1/8".

**Additional pull may be required for appliances deeper than 24"

Base Oven Universal



SKU	W	A Min.	A Max.	B Min.	B Max.*
BOCU27	27"	20 3/4"	24 15/16"	18 1/4"	29"
BOCU30	30"	23 3/4"	27 15/16"	18 1/4"	29"
BOCU33	33"	26 3/4"	30 15/16"	18 1/4"	29"

*Includes removal of top rail

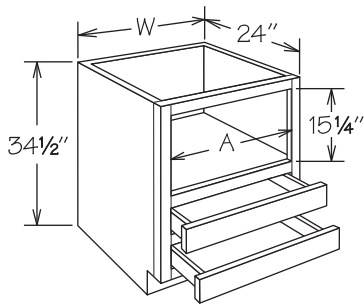
OPTIONS

FE
RD
RTK

NOTES

- Designed for mounting single oven below countertop
- 3" top rail is field removable or field trimmable
- 3 1/8" stiles
- Will accommodate certain cooktops (in conjunction with undercounter oven) or drop-in ranges
- **Most ovens require a top rail of varying heights to create a finished look and to allow for the oven door to clear the countertop when opened**
- **Refer to appliance manufacturer's specifications for adequate clearances and required installation materials**

Base Microwave



SKU	W	A
BMC24	24"	20 3/4"
BMC27	27"	23 3/4"
BMC30	30"	26 3/4"

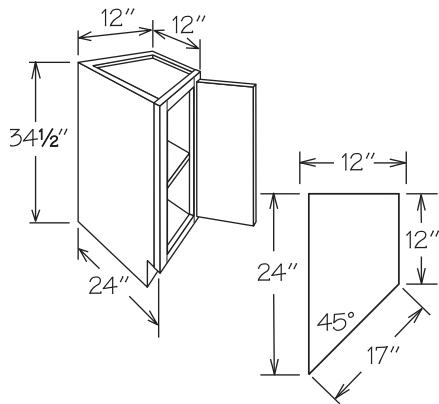
OPTIONS

FE
RD
RTK

NOTES

- Microwave opening finished to match cabinet exterior
- Designed to accommodate countertop style microwaves
- Features two bottom drawers
- Accent Molding recommended – order separately
- **Refer to appliance manufacturer's specifications for adequate clearances**

Base End Angle • 1 Full-Height Door



SKU

BEA12L FH

BEA12R FH

OPTIONS

FE

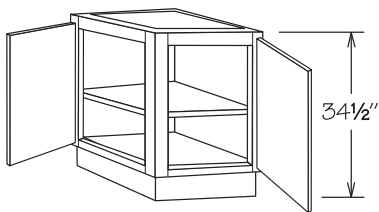
RD

RTK

NOTES

- One adjustable shelf
- Right cabinet shown
- Recessed Toe Kick (RTK) only available on 12" side
- Reduced depth minimum is 18"
- **Cabinet dimensions are for reference purposes ONLY – countertop must be measured and fabricated after cabinet installation**
- Hinged left, can be reversed in the field

Base End Angle • 2 Full-Height Doors



SKU

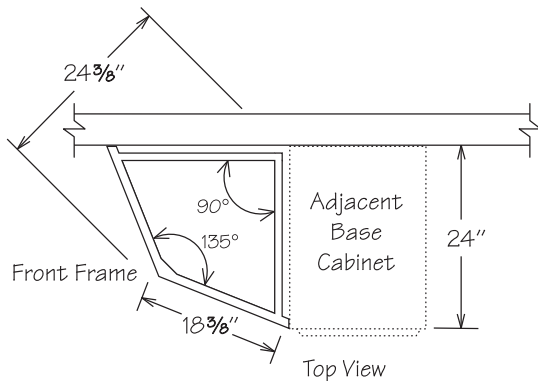
BEA24 FH

OPTIONS

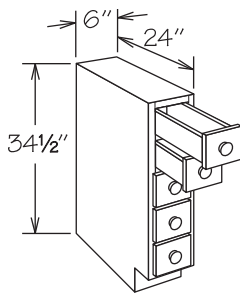
FE

NOTES

- Requires 24" x 24" space
- One adjustable shelf
- **Cabinet dimensions are for reference purposes ONLY – countertop must be measured and fabricated after cabinet installation**



Base Spice Drawer



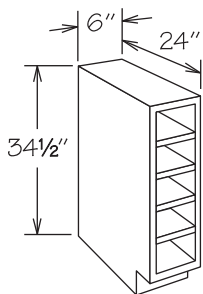
SKU

BSDC6

NOTES

- Features veneered engineered wood for all construction packages
- Exterior only finished
- Five individual full-depth drawers
- Drawer fronts complement door style
- Features 1/2" thick drawer fronts
- Flush sides with no face frame or 1/4" reveals
- All wood drawer body with dovetail construction
- AVELEY, BICKERSHIRE, BRAMBLETON and DAWLEY door styles feature white porcelain knobs, all other door styles feature matching wooden knobs

Base Wine Rack



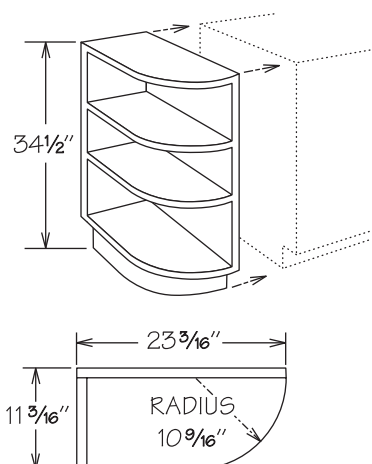
SKU

BWRC6

NOTES

- Features veneered engineered wood for all construction packages
- Finished to match cabinet exterior
- Interior finished to match cabinet exterior
- Accommodates five wine bottles
- Each opening measures 5" high by 4 1/2" wide
- 3/4" thick sides and shelves
- Flush sides with no face frame or 1/4" reveals
- Cannot be retrofitted with Base Spice drawers

Shelf End Base



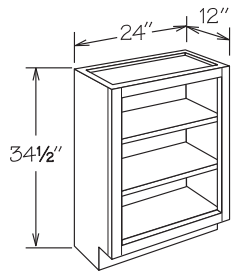
SKU

SEB

NOTES

- Interior finished to match cabinet exterior
- Features veneered engineered wood for all construction packages
- 3/4" shelves
- Distance between shelves is 9 3/16"
- 7/8" screws recommended from inside of adjacent cabinet for installation
- Toe kick is removable – invert unit for right or left
- **Cabinet dimensions are for reference purposes ONLY – countertop must be measured and fabricated after cabinet installation**

Base Bookshelf



SKU

BSPLY2434

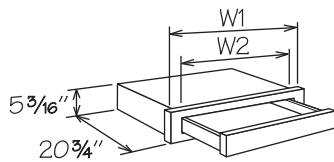
OPTIONS

FE
ID
RD
RTK

NOTES

- Interior finished to match cabinet exterior
- Two adjustable $\frac{3}{4}$ " plywood shelves finished to match cabinet exterior included for all construction packages
- All shelving packaged separately for field installation
- All construction packages feature plywood box construction

Kneehole Drawer



SKU

KDC27/21

W1

27"

W2

17 $\frac{3}{4}$ "

Maximum Trim

21" (3" each side)

KDC33/27

33"

23 $\frac{3}{4}$ "

27" (3" each side)

KDC36/33

36"

29 $\frac{3}{4}$ "33" (1 $\frac{1}{2}$ " each side)

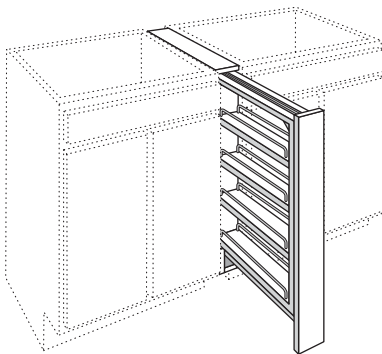
OPTIONS

RD

NOTES

- Drawer front complements door style
- Field trimmable in depth to 18"
- Field trimmable in height to 4 $\frac{3}{4}$ "

Base Filler Pull Out



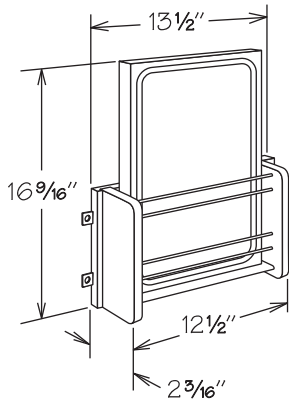
SKU

BFP3

NOTES

- **select** and **luxury** construction packages feature full-access soft-close glides and **essential** features full-access glides
- **Must be installed between two base cabinets in 3" of floor space**
- Cannot be installed next to an appliance or at the end of a run
- Features one fixed and three adjustable 2 $\frac{1}{8}$ " wide natural finish shelves with chrome rails
- Filler shipped unattached for field installation
- No side panels or toe kick
- An Overlay Filler is recommended – order separately

Cutting Board Door Rack Kit



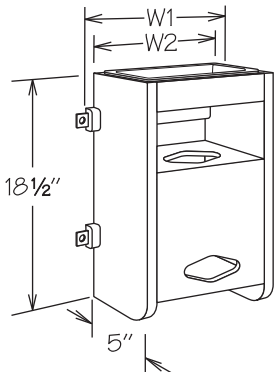
SKU

CBDRK18

NOTES

- Field installation accessory
- Natural finish solid wood with chrome rails
- Cannot be used with Deep Roll Out Trays
- Full-depth shelf must be field trimmed to half-depth
- Solid wood cutting board is NOT dishwasher safe
- Cutting board measures 15 15/16" x 10 9/16" x 1 3/16"
- CBDRK18 mounts to 18" wide and 19" wide base door

Plastic Bag Door Storage Unit



SKU

PBDSU15
PBDSU18

W1

10 1/2"
13 1/2"

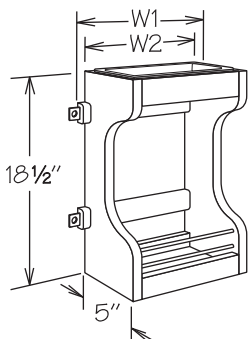
W2

9"
10 1/2"

NOTES

- Field installation accessory
- Natural finish solid wood and wood veneer for all construction packages
- Cannot be used with Deep Roll Out Trays
- Full-depth shelf must be field trimmed to half-depth
- Removable white plastic tray is NOT dishwasher safe
- PBDSU15 mounts to 15" or 16" wide base door
- PBDSU18 mounts to 18" or 19" wide base door

Sink Base Door Storage Unit



SKU

SBDSU15
SBDSU18

W1

10 1/2"
13 1/2"

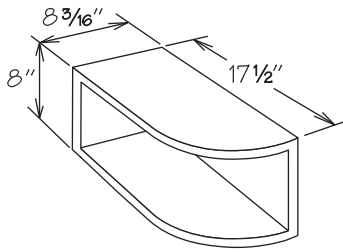
W2

9"
10 1/2"

NOTES

- Field installation accessory
- Natural finish solid wood for all construction packages
- Two fixed shelves
- Cannot be used with Deep Roll Out Trays
- Full-depth shelf must be field trimmed to half-depth
- Removable white plastic tray is NOT dishwasher safe
- SBDSU15 mounts to 15" or 16" wide base door
- SBDSU18 mounts to 18" or 19" wide base door

Sink Base Multi-Storage Shelf

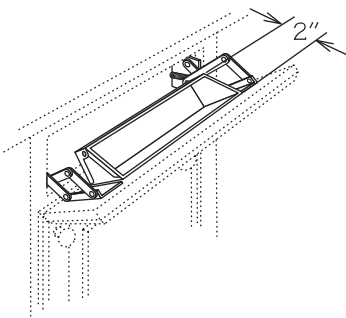
**SKU**

SBMSS

NOTES

- Field installation accessory
- 3/4" plywood with natural finish for all construction packages
- Invert for left or right installation

Stainless Tilt-out Tray Kit

**SKU**

STO TRAY 11

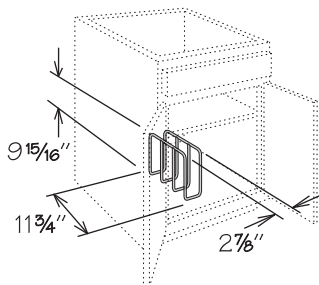
STO TRAY 14

STO TRAY 22

NOTES

- Field installation accessory
- Kit features one tray and one pair of scissor hinges
- STO TRAY 11:
Order one tray for SB18
Order two trays for SB33 or SB36
- STO TRAY 14:
Order one tray for SB21, SB24, SB27 or CSF42
Order two trays for SB39, SB42 or SB48
- STO TRAY 22:
Order one tray for SB30
- Cabinet Sink Fronts use same quantity of trays as sink base cabinets
- Stainless Tilt-Out Trays are NOT dishwasher safe

Cabinet Tray Divider

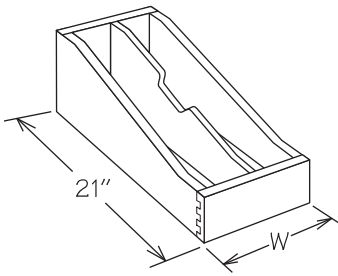
**SKU**

TD3

NOTES

- Field installation accessory
- Chrome finish
- For use in any 24" deep cabinet or reduced depth cabinet to RD-14"
- Mounting hardware included

Roll Out Tray Divider Kit

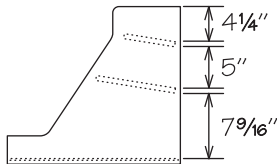
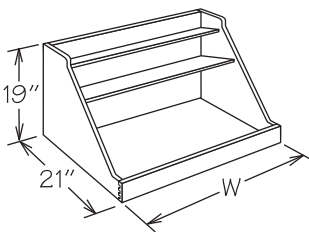


SKU	W	Cabinet Size
ROTDK12	7 3/4"	12"
ROTDK15	10 3/4"	15"

NOTES

- Field installation accessory
- Features natural finish solid wood and wood veneer with MDF bottom for all construction packages
- Front of organizer features dovetail construction
- ROTDK12 features two compartments (one partition)
- ROTDK15 features three compartments (two partitions)
- Partition(s) are field installed
- Not sized to fit reduced depth cabinets

Base Pot & Pan Organizer Kit

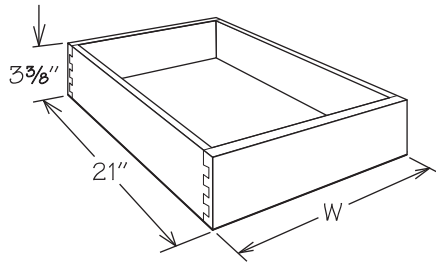


SKU	W	Base Cabinet Size	Oven Cabinet Size
BPPOK24	19 3/4"	24"	27"
BPPOK27	22 3/4"	27"	30"
BPPOK30	25 3/4"	30"	33"
BPPOK33	28 3/4"	33"	—
BPPOK36	31 3/4"	36"	—

NOTES

- Field installation accessory
- Features natural finish solid wood and wood veneer with MDF bottom for all construction packages
- Front of organizer features dovetail construction
- Top shelf measures 6 3/16" deep
- Middle shelf measures 9 3/4" deep
- Not sized to fit reduced depth cabinets

Deep Roll Out Tray



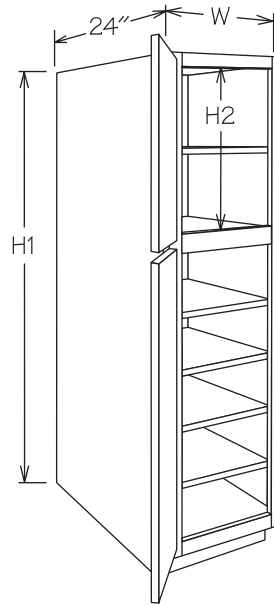
SKU	W
DROT12	7 3/4"
DROT15	10 3/4"
DROT18	13 3/4"
DROT19	15 1/4"
DROT21	16 3/4"
DROT24	19 3/4"
DROT27	22 3/4"
DROT30	25 3/4"
DROT33	28 3/4"
DROT36	31 3/4"

OPTIONS NOTES

RD

- Field installation accessory
- Natural finish dovetail drawer with MDF bottom for all construction packages
- Includes tray, all glide hardware and instructions
- DROT drill template is required for all double door cabinets that have a fixed center stile – contact allen + roth customer care for drill template

tall cabinets



AVAILABLE OPTIONS

- CFO** Cabinet Front Only
- FE** Furniture Ends
- MI** Matching Interior
- RD** Reduced Depth

DIMENSIONS

WIDTH	HEIGHT	DEPTH
15" to 36"	84" to 96"	24"

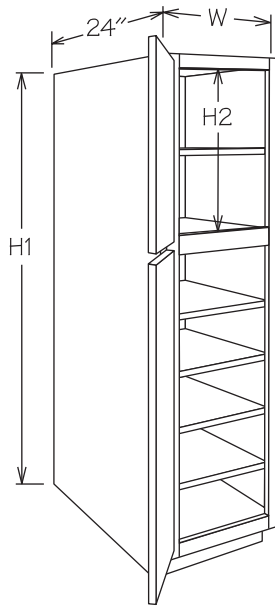
SKU CODING

UT	18	24 X 90	AS
Cabinet Type	Width	Depth x Height	Accessory
(e.g. UT=Utility Cabinet)			(e.g. AS=Adjustable Shelves)

AVAILABLE SPECIALTY DOOR (SD) CABINET OPTIONS

- AFBA** Aluminum Frame Door
- OFD** Open Frame Door

Utility • 2 Doors with Adjustable Shelves



SKU	W	H1	H2	Top Shelves
UT1524 X 84 AS	15"	84"	26 ⁷ / ₈ "	1
UT1824 X 84 AS	18"	84"	26 ⁷ / ₈ "	1
UT1524 X 90 AS	15"	90"	32 ⁷ / ₈ "	2
UT1824 X 90 AS	18"	90"	32 ⁷ / ₈ "	2
UT1524 X 93 AS	15"	93"	35 ⁷ / ₈ "	3
UT1824 X 93 AS	18"	93"	35 ⁷ / ₈ "	3
UT1524 X 96 AS	15"	96"	38 ⁷ / ₈ "	3
UT1824 X 96 AS	18"	96"	38 ⁷ / ₈ "	3
UT1524 X 84 AS SD ▲	15"	84"	26 ⁷ / ₈ "	1
UT1824 X 84 AS SD ▲	18"	84"	26 ⁷ / ₈ "	1
UT1524 X 90 AS SD ▲	15"	90"	32 ⁷ / ₈ "	2
UT1824 X 90 AS SD ▲	18"	90"	32 ⁷ / ₈ "	2
UT1524 X 93 AS SD ▲	15"	93"	35 ⁷ / ₈ "	3
UT1824 X 93 AS SD ▲	18"	93"	35 ⁷ / ₈ "	3
UT1524 X 96 AS SD ▲	15"	96"	38 ⁷ / ₈ "	3
UT1824 X 96 AS SD ▲	18"	96"	38 ⁷ / ₈ "	3

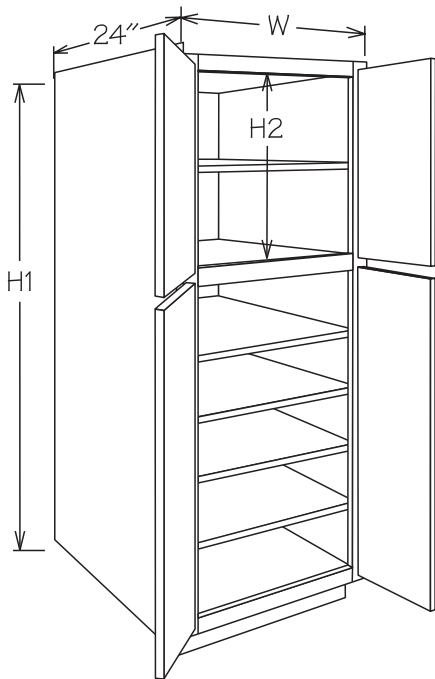
OPTIONS

CFO	
FE	
MI	▲
RD	

NOTES

- Features four shelves in lower section
- All shelving packaged separately for field installation
- 4" inset toe kick assembly shipped inside 93" and 96" high cabinets - TEP or molding recommended to hide seam
- Specialty Door (SD) cabinets feature matching interior standard
- Utility cabinet bottom door will have a center rail with the exception of AVELEY, PORT, STONEWALL and TENLEY
- Options marked with a ▲ are not available for selected SKUs

Utility • 4 Butt Doors with Adjustable Shelves



SKU	W	H1	H2	Top Shelves
UT2424 X 84 AS BUTT	24"	84"	26 ⁷ / ₈ "	1
UT3024 X 84 AS BUTT	30"	84"	26 ⁷ / ₈ "	1
UT3624 X 84 AS BUTT	36"	84"	26 ⁷ / ₈ "	1
UT2424 X 90 AS BUTT	24"	90"	32 ⁷ / ₈ "	2
UT3024 X 90 AS BUTT	30"	90"	32 ⁷ / ₈ "	2
UT3624 X 90 AS BUTT	36"	90"	32 ⁷ / ₈ "	2
UT2424 X 93 AS BUTT	24"	93"	35 ⁷ / ₈ "	3
UT3024 X 93 AS BUTT	30"	93"	35 ⁷ / ₈ "	3
UT3624 X 93 AS BUTT	36"	93"	35 ⁷ / ₈ "	3
UT2424 X 96 AS BUTT	24"	96"	38 ⁷ / ₈ "	3
UT3024 X 96 AS BUTT	30"	96"	38 ⁷ / ₈ "	3
UT3624 X 96 AS BUTT	36"	96"	38 ⁷ / ₈ "	3
UT2424 X 84 AS BUTT SD ▲	24"	84"	26 ⁷ / ₈ "	1
UT3024 X 84 AS BUTT SD ▲	30"	84"	26 ⁷ / ₈ "	1
UT3624 X 84 AS BUTT SD ▲	36"	84"	26 ⁷ / ₈ "	1
UT2424 X 90 AS BUTT SD ▲	24"	90"	32 ⁷ / ₈ "	2
UT3024 X 90 AS BUTT SD ▲	30"	90"	32 ⁷ / ₈ "	2
UT3624 X 90 AS BUTT SD ▲	36"	90"	32 ⁷ / ₈ "	2
UT2424 X 93 AS BUTT SD ▲	24"	93"	35 ⁷ / ₈ "	3
UT3024 X 93 AS BUTT SD ▲	30"	93"	35 ⁷ / ₈ "	3
UT3624 X 93 AS BUTT SD ▲	36"	93"	35 ⁷ / ₈ "	3
UT2424 X 96 AS BUTT SD ▲	24"	96"	38 ⁷ / ₈ "	3
UT3024 X 96 AS BUTT SD ▲	30"	96"	38 ⁷ / ₈ "	3
UT3624 X 96 AS BUTT SD ▲	36"	96"	38 ⁷ / ₈ "	3

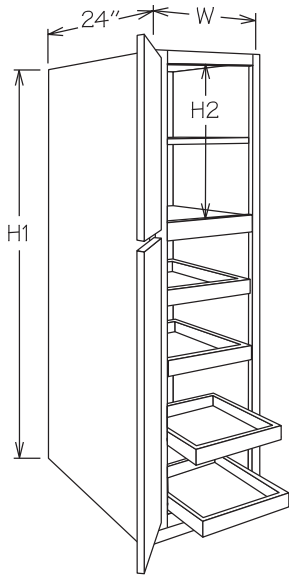
OPTIONS

CFO
FE
MI ▲
RD

NOTES

- Features four shelves in lower section
- All shelving packaged separately for field installation
- 4" inset toe kick assembly shipped inside 93" and 96" high cabinets - TEP or molding recommended to hide seam
- Specialty Door (SD) cabinets feature matching interior standard
- Utility cabinet bottom doors will have a center rail with the exception of AVELEY, PORT, STONEWALL and TENLEY
- Options marked with a ▲ are not available for selected SKUs

Utility • 2 Doors with Deep Roll Out Trays



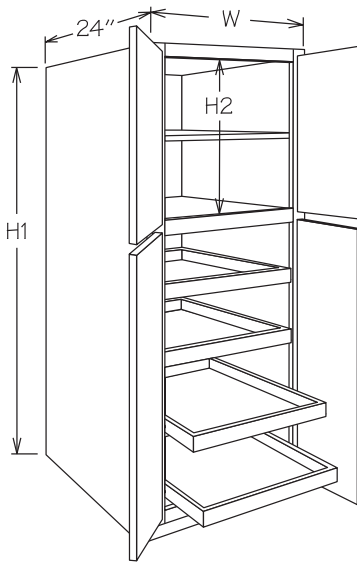
SKU	W	H1	H2	Top Shelves
UT1524 X 84 4ROT	15"	84"	26 ⁷ / ₈ "	1
UT1824 X 84 4ROT	18"	84"	26 ⁷ / ₈ "	1
UT1524 X 90 4ROT	15"	90"	32 ⁷ / ₈ "	2
UT1824 X 90 4ROT	18"	90"	32 ⁷ / ₈ "	2
UT1524 X 93 4ROT	15"	93"	35 ⁷ / ₈ "	3
UT1824 X 93 4ROT	18"	93"	35 ⁷ / ₈ "	3
UT1524 X 96 4ROT	15"	96"	38 ⁷ / ₈ "	3
UT1824 X 96 4ROT	18"	96"	38 ⁷ / ₈ "	3
UT1524 X 84 4ROT SD ▲	15"	84"	26 ⁷ / ₈ "	1
UT1824 X 84 4ROT SD ▲	18"	84"	26 ⁷ / ₈ "	1
UT1524 X 90 4ROT SD ▲	15"	90"	32 ⁷ / ₈ "	2
UT1824 X 90 4ROT SD ▲	18"	90"	32 ⁷ / ₈ "	2
UT1524 X 93 4ROT SD ▲	15"	93"	35 ⁷ / ₈ "	3
UT1824 X 93 4ROT SD ▲	18"	93"	35 ⁷ / ₈ "	3
UT1524 X 96 4ROT SD ▲	15"	96"	38 ⁷ / ₈ "	3
UT1824 X 96 4ROT SD ▲	18"	96"	38 ⁷ / ₈ "	3

OPTIONS NOTES

FE	
MI	▲
RD	

- Features four Deep Roll Out Trays in lower section
- All shelving and Deep Roll Out Trays packaged separately for field installation
- 4" inset toe kick assembly shipped inside 93" and 96" high cabinets - TEP or molding recommended to hide seam
- Specialty Door (SD) cabinets feature matching interior standard
- Utility cabinet bottom doors will have a center rail with the exception of AVELEY, PORT, STONEWALL and TENLEY
- Options marked with a ▲ are not available for selected SKUs

Utility • 4 Butt Doors with Deep Roll Out Trays



SKU	W	H1	H2	Top Shelves
UT2424 X 84 4ROT BUTT	24"	84"	26 7/8"	1
UT3024 X 84 4ROT BUTT	30"	84"	26 7/8"	1
UT3624 X 84 4ROT BUTT	36"	84"	26 7/8"	1
UT2424 X 90 4ROT BUTT	24"	90"	32 7/8"	2
UT3024 X 90 4ROT BUTT	30"	90"	32 7/8"	2
UT3624 X 90 4ROT BUTT	36"	90"	32 7/8"	2
UT2424 X 93 4ROT BUTT	24"	93"	35 7/8"	3
UT3024 X 93 4ROT BUTT	30"	93"	35 7/8"	3
UT3624 X 93 4ROT BUTT	36"	93"	35 7/8"	3
UT2424 X 96 4ROT BUTT	24"	96"	38 7/8"	3
UT3024 X 96 4ROT BUTT	30"	96"	38 7/8"	3
UT3624 X 96 4ROT BUTT	36"	96"	38 7/8"	3
UT2424 X 84 4ROT BUTT SD ▲	24"	84"	26 7/8"	1
UT3024 X 84 4ROT BUTT SD ▲	30"	84"	26 7/8"	1
UT3624 X 84 4ROT BUTT SD ▲	36"	84"	26 7/8"	1
UT2424 X 90 4ROT BUTT SD ▲	24"	90"	32 7/8"	2
UT3024 X 90 4ROT BUTT SD ▲	30"	90"	32 7/8"	2
UT3624 X 90 4ROT BUTT SD ▲	36"	90"	32 7/8"	2
UT2424 X 93 4ROT BUTT SD ▲	24"	93"	35 7/8"	3
UT3024 X 93 4ROT BUTT SD ▲	30"	93"	35 7/8"	3
UT3624 X 93 4ROT BUTT SD ▲	36"	93"	35 7/8"	3
UT2424 X 96 4ROT BUTT SD ▲	24"	96"	38 7/8"	3
UT3024 X 96 4ROT BUTT SD ▲	30"	96"	38 7/8"	3
UT3624 X 96 4ROT BUTT SD ▲	36"	96"	38 7/8"	3

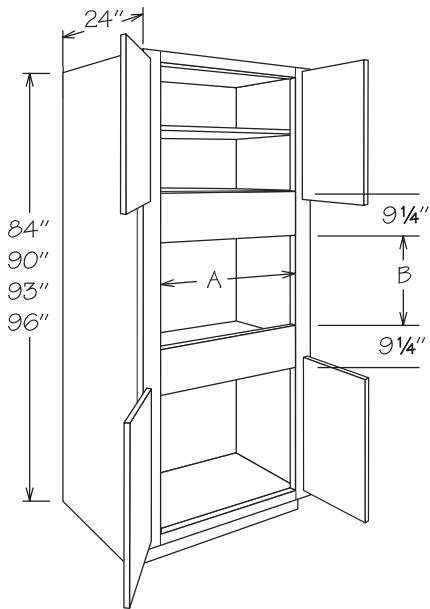
OPTIONS NOTES

FE
MI ▲
RD

- Features four Deep Roll Out Trays in lower section
- All shelving and Deep Roll Out Trays packaged separately for field installation
- 4" inset toe kick assembly shipped inside 93" and 96" high cabinets - TEP or molding recommended to hide seam
- Specialty Door (SD) cabinets feature matching interior standard
- Utility cabinet bottom doors will have a center rail with the exception of AVELEY, PORT, STONEWALL and TENLEY
- Options marked with a ▲ are not available for selected SKUs

tall cabinets

Single Oven Cabinet • 4 Butt Doors



SKU	A Actual	A Max.	B Actual	B Max.	Top Shelves
OVS2784 BUTT	20 ³ / ₄ "	25"	22 ¹ / ₈ "	37 ³ / ₈ "	0
OVS3084 BUTT	23 ³ / ₄ "	28"	22 ¹ / ₈ "	37 ³ / ₈ "	0
OVS3384 BUTT	26 ³ / ₄ "	31"	22 ¹ / ₈ "	37 ³ / ₈ "	0
OVS2790 AS BUTT	20 ³ / ₄ "	25"	21 ³ / ₄ "	37"	1
OVS3090 AS BUTT	23 ³ / ₄ "	28"	21 ³ / ₄ "	37"	1
OVS3390 AS BUTT	26 ³ / ₄ "	31"	21 ³ / ₄ "	37"	1
OVS2793 AS BUTT	20 ³ / ₄ "	25"	22 ¹ / ₈ "	37 ³ / ₈ "	2
OVS3093 AS BUTT	23 ³ / ₄ "	28"	22 ¹ / ₈ "	37 ³ / ₈ "	2
OVS3393 AS BUTT	26 ³ / ₄ "	31"	22 ¹ / ₈ "	37 ³ / ₈ "	2
OVS2796 AS BUTT	20 ³ / ₄ "	25"	22 ¹ / ₈ "	37 ³ / ₈ "	2
OVS3096 AS BUTT	23 ³ / ₄ "	28"	22 ¹ / ₈ "	37 ³ / ₈ "	2
OVS3396 AS BUTT	26 ³ / ₄ "	31"	22 ¹ / ₈ "	37 ³ / ₈ "	2

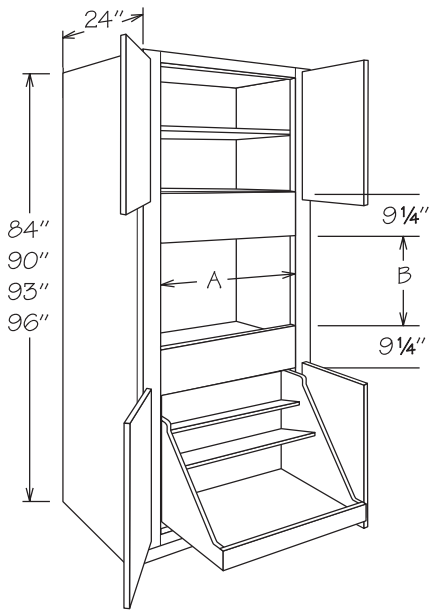
OPTIONS

CFO
FE
RD

NOTES

- Features a solid back
- Hinges are self-closing face-mounted hidden hinges
- Any shelves or accessories are packaged separately for field installation where applicable
- 4" inset toe kick assembly ships inside 93" and 96" high Oven cabinets - all 33" wide x 93" high oven toe kicks ship as two pieces. TEP or molding is recommended to hide the seam between toe kick box and cabinet side
- Order Oven Support Shelf (OSS_) separately
- **Please refer to appliance manufacturer's specifications for adequate clearances and required installation materials**

Single Oven Cabinet • 4 Butt Doors • 1 Pot & Pan Organizer



SKU	A Actual	A Max.	B Actual	B Max.	Top Shelves
OVS2784 BUTT BPPO	20 3/4"	25"	22 1/8"	37 3/8"	0
OVS3084 BUTT BPPO	23 3/4"	28"	22 1/8"	37 3/8"	0
OVS3384 BUTT BPPO	26 3/4"	31"	22 1/8"	37 3/8"	0
OVS2790 BUTT BPPO	20 3/4"	25"	21 3/4"	37"	1
OVS3090 BUTT BPPO	23 3/4"	28"	21 3/4"	37"	1
OVS3390 BUTT BPPO	26 3/4"	31"	21 3/4"	37"	1
OVS2793 BUTT BPPO	20 3/4"	25"	22 1/8"	37 3/8"	2
OVS3093 BUTT BPPO	23 3/4"	28"	22 1/8"	37 3/8"	2
OVS3393 BUTT BPPO	26 3/4"	31"	22 1/8"	37 3/8"	2
OVS2796 BUTT BPPO	20 3/4"	25"	22 1/8"	37 3/8"	2
OVS3096 BUTT BPPO	23 3/4"	28"	22 1/8"	37 3/8"	2
OVS3396 BUTT BPPO	26 3/4"	31"	22 1/8"	37 3/8"	2

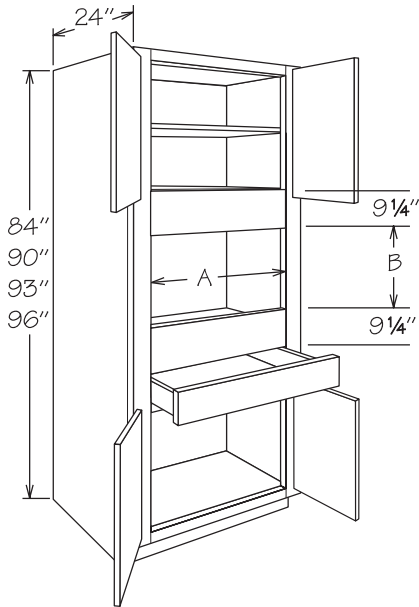
OPTIONS

FE

NOTES

- Features a solid back
- Organizer features natural finish solid wood, wood veneer and dovetail (front only) construction with MDF bottom for all construction packages
- Organizer top shelf is 6 3/16" deep, middle shelf is 9 3/4" deep
- Hinges are self-closing face-mounted hidden hinges
- Any shelves or accessories are packaged separately for field installation where applicable
- 4" inset toe kick assembly ships inside 93" and 96" high Oven cabinets - all 33" wide x 93" high oven toe kicks ship as two pieces. TEP or molding is recommended to hide the seam between toe kick box and cabinet side
- Order Oven Support Shelf (OSS_) separately
- **Please refer to appliance manufacturer's specifications for adequate clearances and required installation materials**

Single Oven Cabinet • 4 Butt Doors • 1 Drawer



SKU	A Actual	A Max.	B Actual	B Max.	Top Shelves
OVS2784 BUTT 1DWR	20 ³ / ₄ "	25"	16 ¹ / ₈ "	31 ³ / ₈ "	0
OVS3084 BUTT 1DWR	23 ³ / ₄ "	28"	16 ¹ / ₈ "	31 ³ / ₈ "	0
OVS3384 BUTT 1DWR	26 ³ / ₄ "	31"	16 ¹ / ₈ "	31 ³ / ₈ "	0
OVS2790 AS BUTT 1DWR	20 ³ / ₄ "	25"	15 ³ / ₄ "	31"	1
OVS3090 AS BUTT 1DWR	23 ³ / ₄ "	28"	15 ³ / ₄ "	31"	1
OVS3390 AS BUTT 1DWR	26 ³ / ₄ "	31"	15 ³ / ₄ "	31"	1
OVS2793 AS BUTT 1DWR	20 ³ / ₄ "	25"	16 ¹ / ₈ "	31 ³ / ₈ "	2
OVS3093 AS BUTT 1DWR	23 ³ / ₄ "	28"	16 ¹ / ₈ "	31 ³ / ₈ "	2
OVS3393 AS BUTT 1DWR	26 ³ / ₄ "	31"	16 ¹ / ₈ "	31 ³ / ₈ "	2
OVS2796 AS BUTT 1DWR	20 ³ / ₄ "	25"	16 ¹ / ₈ "	31 ³ / ₈ "	2
OVS3096 AS BUTT 1DWR	23 ³ / ₄ "	28"	16 ¹ / ₈ "	31 ³ / ₈ "	2
OVS3396 AS BUTT 1DWR	26 ³ / ₄ "	31"	16 ¹ / ₈ "	31 ³ / ₈ "	2

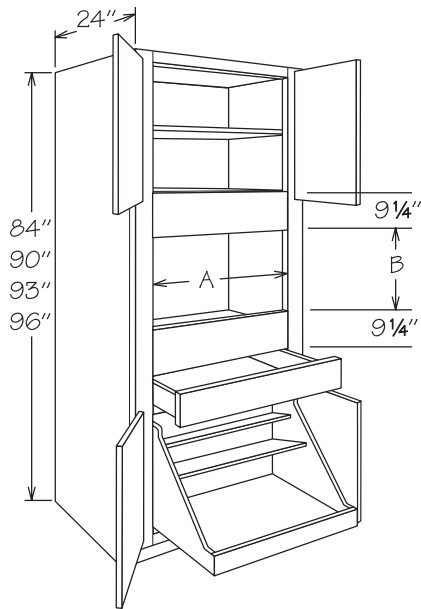
OPTIONS

CFO
FE
RD

NOTES

- Features a solid back
- One standard drawer
- Hinges are self-closing face-mounted hidden hinges
- Any shelves or accessories are packaged separately for field installation where applicable
- 4" inset toe kick assembly ships inside 93" and 96" high Oven cabinets - all 33" wide x 93" high oven toe kicks ship as two pieces. TEP or molding is recommended to hide the seam between toe kick box and cabinet side
- Order Oven Support Shelf (OSS_) separately
- **Please refer to appliance manufacturer's specifications for adequate clearances and required installation materials**

Single Oven Cabinet • 4 Butt Doors • 1 Drawer • 1 Pot & Pan Organizer



SKU	A Actual	A Max.	B Actual	B Max.	Top Shelves
OVS2784 BUTT 1DWR BPPO	20 3/4"	25"	16 1/8"	31 3/8"	0
OVS3084 BUTT 1DWR BPPO	23 3/4"	28"	16 1/8"	31 3/8"	0
OVS3384 BUTT 1DWR BPPO	26 3/4"	31"	16 1/8"	31 3/8"	0
OVS2790 BUTT 1DWR BPPO	20 3/4"	25"	15 3/4"	31"	1
OVS3090 BUTT 1DWR BPPO	23 3/4"	28"	15 3/4"	31"	1
OVS3390 BUTT 1DWR BPPO	26 3/4"	31"	15 3/4"	31"	1
OVS2793 BUTT 1DWR BPPO	20 3/4"	25"	16 1/8"	31 3/8"	2
OVS3093 BUTT 1DWR BPPO	23 3/4"	28"	16 1/8"	31 3/8"	2
OVS3393 BUTT 1DWR BPPO	26 3/4"	31"	16 1/8"	31 3/8"	2
OVS2796 BUTT 1DWR BPPO	20 3/4"	25"	16 1/8"	31 3/8"	2
OVS3096 BUTT 1DWR BPPO	23 3/4"	28"	16 1/8"	31 3/8"	2
OVS3396 BUTT 1DWR BPPO	26 3/4"	31"	16 1/8"	31 3/8"	2

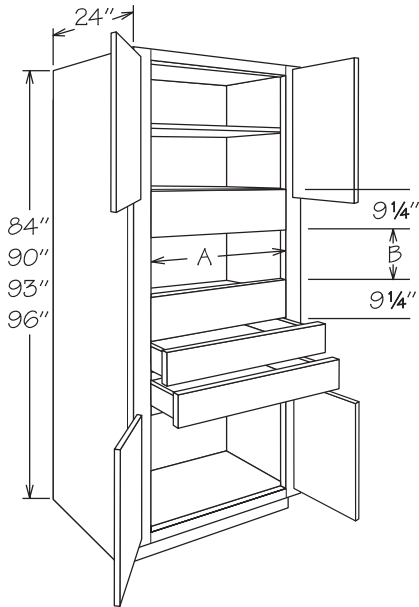
OPTIONS

FE

NOTES

- Features a solid back
- One standard drawer
- Organizer features natural finish solid wood, wood veneer and dovetail (front only) construction with MDF bottom for all construction packages
- Organizer top shelf is 6 3/8" deep, middle shelf is 9 3/4" deep
- Hinges are self-closing face-mounted hidden hinges
- Any shelves or accessories are packaged separately for field installation where applicable
- 4" inset toe kick assembly ships inside 93" and 96" high Oven cabinets - all 33" wide x 93" high oven toe kicks ship as two pieces. TEP or molding is recommended to hide the seam between toe kick box and cabinet side
- Order Oven Support Shelf (OSS_) separately
- **Please refer to appliance manufacturer's specifications for adequate clearances and required installation materials**

Single Oven Cabinet • 4 Butt Doors • 2 Drawers



SKU	A Actual	A Max.	B Actual	B Max.	Top Shelves
OVS2784 BUTT 2DWR	20 ³ / ₄ "	25"	10 ¹ / ₈ "	25 ³ / ₈ "	0
OVS3084 BUTT 2DWR	23 ³ / ₄ "	28"	10 ¹ / ₈ "	25 ³ / ₈ "	0
OVS3384 BUTT 2DWR	26 ³ / ₄ "	31"	10 ¹ / ₈ "	25 ³ / ₈ "	0
OVS2790 AS BUTT 2DWR	20 ³ / ₄ "	25"	9 ³ / ₄ "	25"	1
OVS3090 AS BUTT 2DWR	23 ³ / ₄ "	28"	9 ³ / ₄ "	25"	1
OVS3390 AS BUTT 2DWR	26 ³ / ₄ "	31"	9 ³ / ₄ "	25"	1
OVS2793 AS BUTT 2DWR	20 ³ / ₄ "	25"	10 ¹ / ₈ "	25 ³ / ₈ "	2
OVS3093 AS BUTT 2DWR	23 ³ / ₄ "	28"	10 ¹ / ₈ "	25 ³ / ₈ "	2
OVS3393 AS BUTT 2DWR	26 ³ / ₄ "	31"	10 ¹ / ₈ "	25 ³ / ₈ "	2
OVS2796 AS BUTT 2DWR	20 ³ / ₄ "	25"	10 ¹ / ₈ "	25 ³ / ₈ "	2
OVS3096 AS BUTT 2DWR	23 ³ / ₄ "	28"	10 ¹ / ₈ "	25 ³ / ₈ "	2
OVS3396 AS BUTT 2DWR	26 ³ / ₄ "	31"	10 ¹ / ₈ "	25 ³ / ₈ "	2

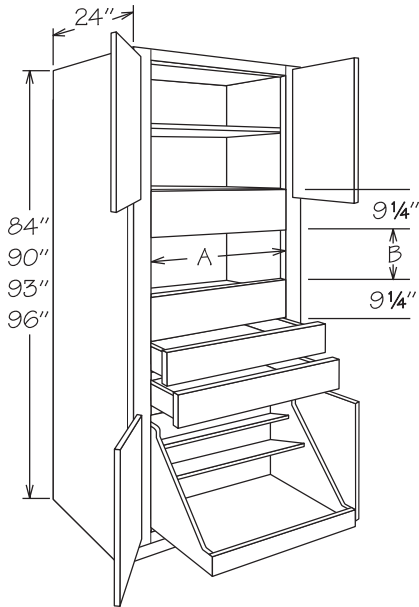
OPTIONS

CFO
FE
RD

NOTES

- Features a solid back
- Two standard drawers
- Hinges are self-closing face-mounted hidden hinges
- Any shelves or accessories are packaged separately for field installation where applicable
- 4" inset toe kick assembly ships inside 93" and 96" high Oven cabinets - all 33" wide x 93" high oven toe kicks ship as two pieces. TEP or molding is recommended to hide the seam between toe kick box and cabinet side
- Order Oven Support Shelf (OSS_) separately
- **Please refer to appliance manufacturer's specifications for adequate clearances and required installation materials**

Single Oven Cabinet • 4 Butt Doors • 2 Drawers • 1 Pot & Pan Organizer



SKU	A Actual	A Max.	B Actual	B Max.	Top Shelves
OVS2784 BUTT 2DWR BPPO	20 3/4"	25"	10 1/8"	25 3/8"	0
OVS3084 BUTT 2DWR BPPO	23 3/4"	28"	10 1/8"	25 3/8"	0
OVS3384 BUTT 2DWR BPPO	26 3/4"	31"	10 1/8"	25 3/8"	0
OVS2790 BUTT 2DWR BPPO	20 3/4"	25"	9 3/4"	25"	1
OVS3090 BUTT 2DWR BPPO	23 3/4"	28"	9 3/4"	25"	1
OVS3390 BUTT 2DWR BPPO	26 3/4"	31"	9 3/4"	25"	1
OVS2793 BUTT 2DWR BPPO	20 3/4"	25"	10 1/8"	25 3/8"	2
OVS3093 BUTT 2DWR BPPO	23 3/4"	28"	10 1/8"	25 3/8"	2
OVS3393 BUTT 2DWR BPPO	26 3/4"	31"	10 1/8"	25 3/8"	2
OVS2796 BUTT 2DWR BPPO	20 3/4"	25"	10 1/8"	25 3/8"	2
OVS3096 BUTT 2DWR BPPO	23 3/4"	28"	10 1/8"	25 3/8"	2
OVS3396 BUTT 2DWR BPPO	26 3/4"	31"	10 1/8"	25 3/8"	2

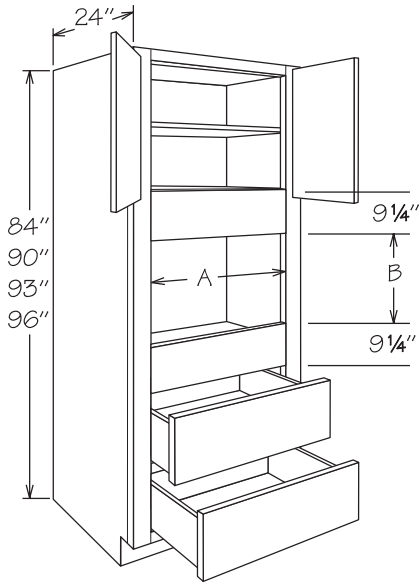
OPTIONS

FE

NOTES

- Features a solid back
- Two standard drawers
- Organizer features natural finish solid wood, wood veneer and dovetail (front only) construction with MDF bottom for all construction packages
- Organizer top shelf is 6 3/8" deep, middle shelf is 9 3/4" deep
- Hinges are self-closing face-mounted hidden hinges
- Any shelves or accessories are packaged separately for field installation where applicable
- 4" inset toe kick assembly ships inside 93" and 96" high Oven cabinets - all 33" wide x 93" high oven toe kicks ship as two pieces. TEP or molding is recommended to hide the seam between toe kick box and cabinet side
- Order Oven Support Shelf (OSS_) separately
- **Please refer to appliance manufacturer's specifications for adequate clearances and required installation materials**

Single Oven Cabinet • 2 Butt Doors • 2 Large Drawers



SKU	A Actual	A Max.	B Actual	B Max.	Top Shelves
OVS2784 BUTT 2DDWR	20 ³ / ₄ "	25"	22 ¹ / ₈ "	37 ³ / ₈ "	0
OVS3084 BUTT 2DDWR	23 ³ / ₄ "	28"	22 ¹ / ₈ "	37 ³ / ₈ "	0
OVS3384 BUTT 2DDWR	26 ³ / ₄ "	31"	22 ¹ / ₈ "	37 ³ / ₈ "	0
OVS2790 AS BUTT 2DDWR	20 ³ / ₄ "	25"	21 ³ / ₄ "	37"	1
OVS3090 AS BUTT 2DDWR	23 ³ / ₄ "	28"	21 ³ / ₄ "	37"	1
OVS3390 AS BUTT 2DDWR	26 ³ / ₄ "	31"	21 ³ / ₄ "	37"	1
OVS2793 AS BUTT 2DDWR	20 ³ / ₄ "	25"	22 ¹ / ₈ "	37 ³ / ₈ "	2
OVS3093 AS BUTT 2DDWR	23 ³ / ₄ "	28"	22 ¹ / ₈ "	37 ³ / ₈ "	2
OVS3393 AS BUTT 2DDWR	26 ³ / ₄ "	31"	22 ¹ / ₈ "	37 ³ / ₈ "	2
OVS2796 AS BUTT 2DDWR	20 ³ / ₄ "	25"	22 ¹ / ₈ "	37 ³ / ₈ "	2
OVS3096 AS BUTT 2DDWR	23 ³ / ₄ "	28"	22 ¹ / ₈ "	37 ³ / ₈ "	2
OVS3396 AS BUTT 2DDWR	26 ³ / ₄ "	31"	22 ¹ / ₈ "	37 ³ / ₈ "	2

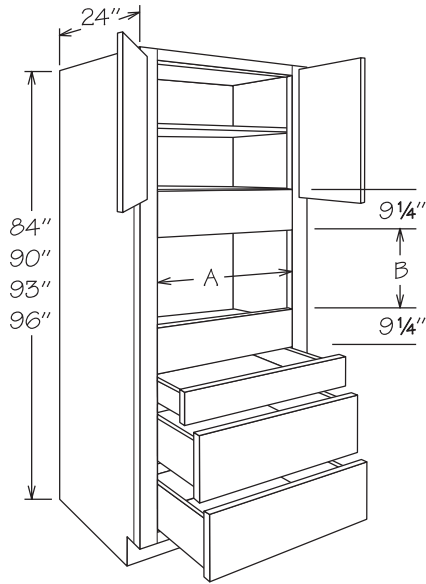
OPTIONS

CFO
FE
RD

NOTES

- Features a solid back
- Two large drawers
- Hinges are self-closing face-mounted hidden hinges
- Any shelves or accessories are packaged separately for field installation where applicable
- 4" inset toe kick assembly ships inside 93" and 96" high Oven cabinets - all 33" wide x 93" high oven toe kicks ship as two pieces. TEP or molding is recommended to hide the seam between toe kick box and cabinet side
- Order Oven Support Shelf (OSS_) separately
- **Please refer to appliance manufacturer's specifications for adequate clearances and required installation materials**

Single Oven Cabinet • 2 Butt Doors • 3 Drawers



SKU	A Actual	A Max.	B Actual	B Max.	Top Shelves
OVS2784 BUTT 3DWR	20 ³ / ₄ "	25"	16 ¹ / ₈ "	31 ³ / ₈ "	0
OVS3084 BUTT 3DWR	23 ³ / ₄ "	28"	16 ¹ / ₈ "	31 ³ / ₈ "	0
OVS3384 BUTT 3DWR	26 ³ / ₄ "	31"	16 ¹ / ₈ "	31 ³ / ₈ "	0
OVS2790 AS BUTT 3DWR	20 ³ / ₄ "	25"	15 ³ / ₄ "	31"	1
OVS3090 AS BUTT 3DWR	23 ³ / ₄ "	28"	15 ³ / ₄ "	31"	1
OVS3390 AS BUTT 3DWR	26 ³ / ₄ "	31"	15 ³ / ₄ "	31"	1
OVS2793 AS BUTT 3DWR	20 ³ / ₄ "	25"	16 ¹ / ₈ "	31 ³ / ₈ "	2
OVS3093 AS BUTT 3DWR	23 ³ / ₄ "	28"	16 ¹ / ₈ "	31 ³ / ₈ "	2
OVS3393 AS BUTT 3DWR	26 ³ / ₄ "	31"	16 ¹ / ₈ "	31 ³ / ₈ "	2
OVS2796 AS BUTT 3DWR	20 ³ / ₄ "	25"	16 ¹ / ₈ "	31 ³ / ₈ "	2
OVS3096 AS BUTT 3DWR	23 ³ / ₄ "	28"	16 ¹ / ₈ "	31 ³ / ₈ "	2
OVS3396 AS BUTT 3DWR	26 ³ / ₄ "	31"	16 ¹ / ₈ "	31 ³ / ₈ "	2

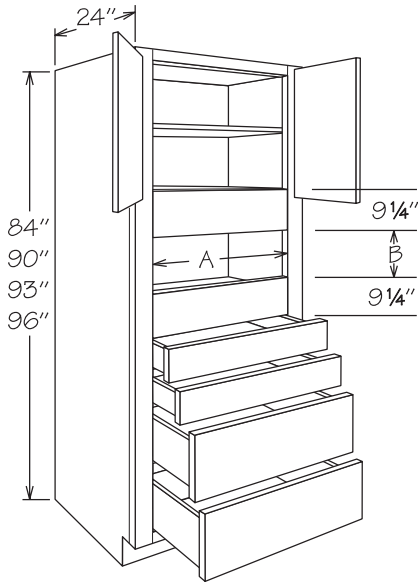
OPTIONS

CFO
FE
RD

NOTES

- Features a solid back
- One standard and two large drawers
- Hinges are self-closing face-mounted hidden hinges
- Any shelves or accessories are packaged separately for field installation where applicable
- 4" inset toe kick assembly ships inside 93" and 96" high Oven cabinets - all 33" wide x 93" high oven toe kicks ship as two pieces. TEP or molding is recommended to hide the seam between toe kick box and cabinet side
- Order Oven Support Shelf (OSS_) separately
- **Please refer to appliance manufacturer's specifications for adequate clearances and required installation materials**

Single Oven Cabinet • 2 Butt Doors • 4 Drawers



SKU	A Actual	A Max.	B Actual	B Max.	Top Shelves
OVS2784 BUTT 4DWR	20 ³ / ₄ "	25"	10 ¹ / ₈ "	25 ³ / ₈ "	0
OVS3084 BUTT 4DWR	23 ³ / ₄ "	28"	10 ¹ / ₈ "	25 ³ / ₈ "	0
OVS3384 BUTT 4DWR	26 ³ / ₄ "	31"	10 ¹ / ₈ "	25 ³ / ₈ "	0
OVS2790 AS BUTT 4DWR	20 ³ / ₄ "	25"	9 ³ / ₄ "	25"	1
OVS3090 AS BUTT 4DWR	23 ³ / ₄ "	28"	9 ³ / ₄ "	25"	1
OVS3390 AS BUTT 4DWR	26 ³ / ₄ "	31"	9 ³ / ₄ "	25"	1
OVS2793 AS BUTT 4DWR	20 ³ / ₄ "	25"	10 ¹ / ₈ "	25 ³ / ₈ "	2
OVS3093 AS BUTT 4DWR	23 ³ / ₄ "	28"	10 ¹ / ₈ "	25 ³ / ₈ "	2
OVS3393 AS BUTT 4DWR	26 ³ / ₄ "	31"	10 ¹ / ₈ "	25 ³ / ₈ "	2
OVS2796 AS BUTT 4DWR	20 ³ / ₄ "	25"	10 ¹ / ₈ "	25 ³ / ₈ "	2
OVS3096 AS BUTT 4DWR	23 ³ / ₄ "	28"	10 ¹ / ₈ "	25 ³ / ₈ "	2
OVS3396 AS BUTT 4DWR	26 ³ / ₄ "	31"	10 ¹ / ₈ "	25 ³ / ₈ "	2

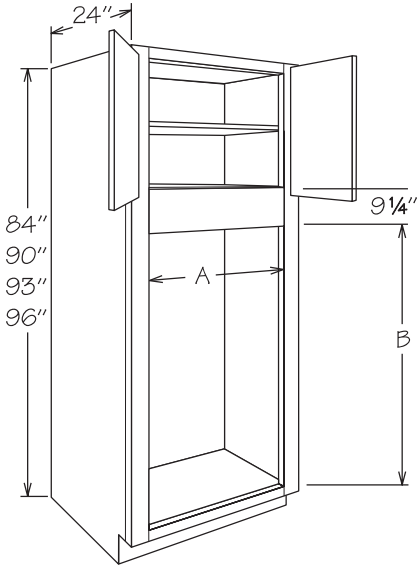
OPTIONS

CFO
FE
RD

NOTES

- Features a solid back
- Two standard and two large drawers
- Hinges are self-closing face-mounted hidden hinges
- Any shelves or accessories are packaged separately for field installation where applicable
- 4" inset toe kick assembly ships inside 93" and 96" high Oven cabinets - all 33" wide x 93" high oven toe kicks ship as two pieces. TEP or molding is recommended to hide the seam between toe kick box and cabinet side
- Order Oven Support Shelf (OSS_) separately
- **Please refer to appliance manufacturer's specifications for adequate clearances and required installation materials**

Double Oven Cabinet • 2 Butt Doors • No Drawer



SKU	A Actual	A Max.	B Actual	B Max.	Top Shelves
OVD2784 BUTT NDWR	20 ³ / ₄ "	25"	52 ⁵ / ₈ "	60 ¹ / ₄ "	0
OVD3084 BUTT NDWR	23 ³ / ₄ "	28"	52 ⁵ / ₈ "	60 ¹ / ₄ "	0
OVD3384 BUTT NDWR	26 ³ / ₄ "	31"	52 ⁵ / ₈ "	60 ¹ / ₄ "	0
OVD2790 AS BUTT NDWR	20 ³ / ₄ "	25"	52 ¹ / ₄ "	59 ⁷ / ₈ "	1
OVD3090 AS BUTT NDWR	23 ³ / ₄ "	28"	52 ¹ / ₄ "	59 ⁷ / ₈ "	1
OVD3390 AS BUTT NDWR	26 ³ / ₄ "	31"	52 ¹ / ₄ "	59 ⁷ / ₈ "	1
OVD2793 AS BUTT NDWR	20 ³ / ₄ "	25"	52 ⁵ / ₈ "	60 ¹ / ₄ "	2
OVD3093 AS BUTT NDWR	23 ³ / ₄ "	28"	52 ⁵ / ₈ "	60 ¹ / ₄ "	2
OVD3393 AS BUTT NDWR	26 ³ / ₄ "	31"	52 ⁵ / ₈ "	60 ¹ / ₄ "	2
OVD2796 AS BUTT NDWR	20 ³ / ₄ "	25"	52 ⁵ / ₈ "	60 ¹ / ₄ "	2
OVD3096 AS BUTT NDWR	23 ³ / ₄ "	28"	52 ⁵ / ₈ "	60 ¹ / ₄ "	2
OVD3396 AS BUTT NDWR	26 ³ / ₄ "	31"	52 ⁵ / ₈ "	60 ¹ / ₄ "	2

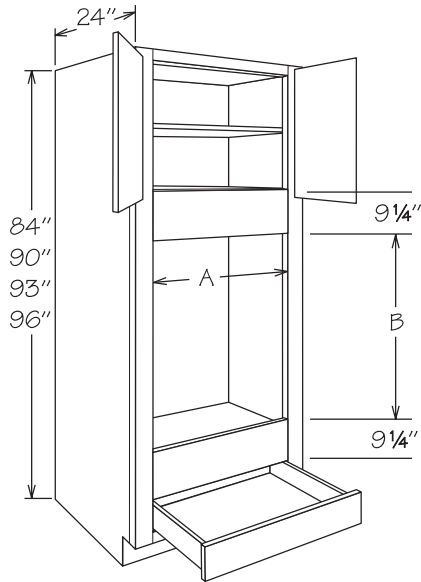
OPTIONS

CFO
FE
RD

NOTES

- Features a solid back
- No drawer
- Hinges are self-closing face-mounted hidden hinges
- Any shelves or accessories are packaged separately for field installation where applicable
- 4" inset toe kick assembly ships inside 93" and 96" high Oven cabinets - all 33" wide x 93" high oven toe kicks ship as two pieces. TEP or molding is recommended to hide the seam between toe kick box and cabinet side
- Order Oven Support Shelf (OSS_) separately
- **Please refer to appliance manufacturer's specifications for adequate clearances and required installation materials**

Double Oven Cabinet • 2 Butt Doors • 1 Drawer



SKU	A Actual	A Max.	B Actual	B Max.	Top Shelves
OVD2784 BUTT	20 ³ / ₄ "	25"	39"	54 ¹ / ₄ "	0
OVD3084 BUTT	23 ³ / ₄ "	28"	39"	54 ¹ / ₄ "	0
OVD3384 BUTT	26 ³ / ₄ "	31"	39"	54 ¹ / ₄ "	0
OVD2790 AS BUTT	20 ³ / ₄ "	25"	38 ⁵ / ₈ "	53 ⁷ / ₈ "	1
OVD3090 AS BUTT	23 ³ / ₄ "	28"	38 ⁵ / ₈ "	53 ⁷ / ₈ "	1
OVD3390 AS BUTT	26 ³ / ₄ "	31"	38 ⁵ / ₈ "	53 ⁷ / ₈ "	1
OVD2793 AS BUTT	20 ³ / ₄ "	25"	39"	54 ¹ / ₄ "	2
OVD3093 AS BUTT	23 ³ / ₄ "	28"	39"	54 ¹ / ₄ "	2
OVD3393 AS BUTT	26 ³ / ₄ "	31"	39"	54 ¹ / ₄ "	2
OVD2796 AS BUTT	20 ³ / ₄ "	25"	39"	54 ¹ / ₄ "	2
OVD3096 AS BUTT	23 ³ / ₄ "	28"	39"	54 ¹ / ₄ "	2
OVD3396 AS BUTT	26 ³ / ₄ "	31"	39"	54 ¹ / ₄ "	2

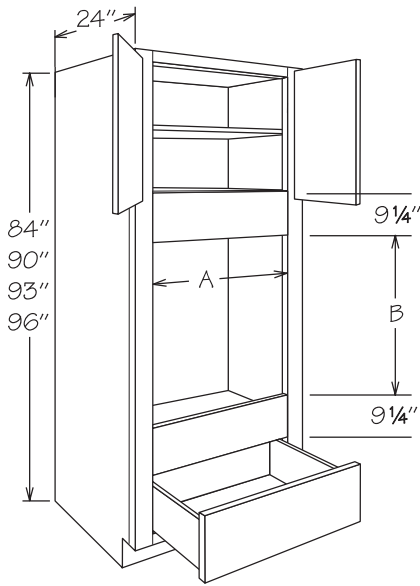
OPTIONS

CFO
FE
RD

NOTES

- Features a solid back
- One standard drawer
- Hinges are self-closing face-mounted hidden hinges
- Any shelves or accessories are packaged separately for field installation where applicable
- 4" inset toe kick assembly ships inside 93" and 96" high Oven cabinets - all 33" wide x 93" high oven toe kicks ship as two pieces. TEP or molding is recommended to hide the seam between toe kick box and cabinet side
- Order Oven Support Shelf (OSS_) separately
- **Please refer to appliance manufacturer's specifications for adequate clearances and required installation materials**

Double Oven Cabinet • 2 Butt Doors • 1 Large Drawer



SKU	A Actual	A Max.	B Actual	B Max.	Top Shelves
OVD2784 BUTT 1DDWR	20 ³ / ₄ "	25"	33 ⁹ / ₁₆ "	48 ¹³ / ₁₆ "	0
OVD3084 BUTT 1DDWR	23 ³ / ₄ "	28"	33 ⁹ / ₁₆ "	48 ¹³ / ₁₆ "	0
OVD3384 BUTT 1DDWR	26 ³ / ₄ "	31"	33 ⁹ / ₁₆ "	48 ¹³ / ₁₆ "	0
OVD2790 AS BUTT 1DDWR	20 ³ / ₄ "	25"	33 ³ / ₁₆ "	48 ⁷ / ₁₆ "	1
OVD3090 AS BUTT 1DDWR	23 ³ / ₄ "	28"	33 ³ / ₁₆ "	48 ⁷ / ₁₆ "	1
OVD3390 AS BUTT 1DDWR	26 ³ / ₄ "	31"	33 ³ / ₁₆ "	48 ⁷ / ₁₆ "	1
OVD2793 AS BUTT 1DDWR	20 ³ / ₄ "	25"	33 ⁹ / ₁₆ "	48 ¹³ / ₁₆ "	2
OVD3093 AS BUTT 1DDWR	23 ³ / ₄ "	28"	33 ⁹ / ₁₆ "	48 ¹³ / ₁₆ "	2
OVD3393 AS BUTT 1DDWR	26 ³ / ₄ "	31"	33 ⁹ / ₁₆ "	48 ¹³ / ₁₆ "	2
OVD2796 AS BUTT 1DDWR	20 ³ / ₄ "	25"	33 ⁹ / ₁₆ "	48 ¹³ / ₁₆ "	2
OVD3096 AS BUTT 1DDWR	23 ³ / ₄ "	28"	33 ⁹ / ₁₆ "	48 ¹³ / ₁₆ "	2
OVD3396 AS BUTT 1DDWR	26 ³ / ₄ "	31"	33 ⁹ / ₁₆ "	48 ¹³ / ₁₆ "	2

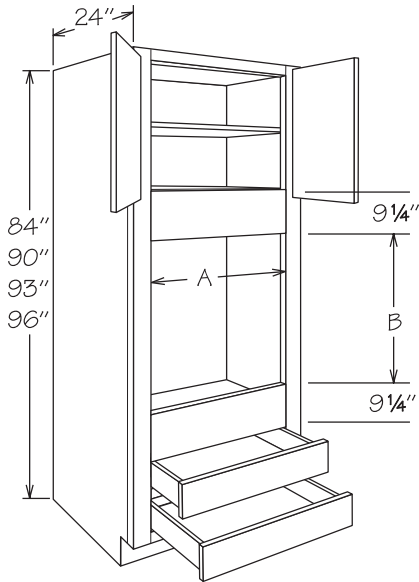
OPTIONS

CFO
FE
RD

NOTES

- Features a solid back
- One large drawer
- Hinges are self-closing face-mounted hidden hinges
- Any shelves or accessories are packaged separately for field installation where applicable
- 4" inset toe kick assembly ships inside 93" and 96" high Oven cabinets - all 33" wide x 93" high oven toe kicks ship as two pieces. TEP or molding is recommended to hide the seam between toe kick box and cabinet side
- Order Oven Support Shelf (OSS_) separately
- **Please refer to appliance manufacturer's specifications for adequate clearances and required installation materials**

Double Oven Cabinet • 2 Butt Doors • 2 Drawers



SKU	A Actual	A Max.	B Actual	B Max.	Top Shelves
OVD2784 BUTT 2DWR	20 ³ / ₄ "	25"	33"	48 ¹ / ₄ "	0
OVD3084 BUTT 2DWR	23 ³ / ₄ "	28"	33"	48 ¹ / ₄ "	0
OVD3384 BUTT 2DWR	26 ³ / ₄ "	31"	33"	48 ¹ / ₄ "	0
OVD2790 AS BUTT 2DWR	20 ³ / ₄ "	25"	32 ⁵ / ₈ "	47 ⁷ / ₈ "	1
OVD3090 AS BUTT 2DWR	23 ³ / ₄ "	28"	32 ⁵ / ₈ "	47 ⁷ / ₈ "	1
OVD3390 AS BUTT 2DWR	26 ³ / ₄ "	31"	32 ⁵ / ₈ "	47 ⁷ / ₈ "	1
OVD2793 AS BUTT 2DWR	20 ³ / ₄ "	25"	33"	48 ¹ / ₄ "	2
OVD3093 AS BUTT 2DWR	23 ³ / ₄ "	28"	33"	48 ¹ / ₄ "	2
OVD3393 AS BUTT 2DWR	26 ³ / ₄ "	31"	33"	48 ¹ / ₄ "	2
OVD2796 AS BUTT 2DWR	20 ³ / ₄ "	25"	33"	48 ¹ / ₄ "	2
OVD3096 AS BUTT 2DWR	23 ³ / ₄ "	28"	33"	48 ¹ / ₄ "	2
OVD3396 AS BUTT 2DWR	26 ³ / ₄ "	31"	33"	48 ¹ / ₄ "	2

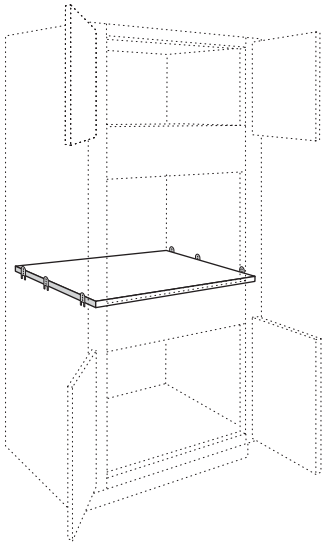
OPTIONS

CFO
FE
RD

NOTES

- Features a solid back
- Two standard drawers
- Hinges are self-closing face-mounted hidden hinges
- Any shelves or accessories are packaged separately for field installation where applicable
- 4" inset toe kick assembly ships inside 93" and 96" high Oven cabinets - all 33" wide x 93" high oven toe kicks ship as two pieces. TEP or molding is recommended to hide the seam between toe kick box and cabinet side
- Order Oven Support Shelf (OSS_) separately
- **Please refer to appliance manufacturer's specifications for adequate clearances and required installation materials**

Oven Support Shelf



SKU

OSS27

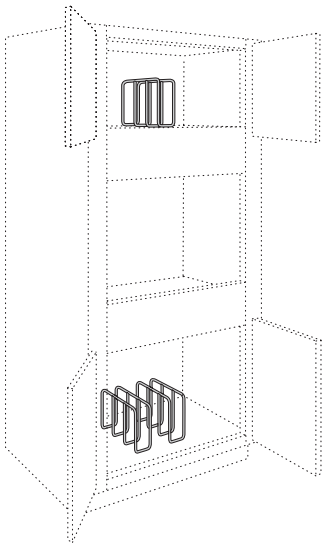
OSS30

OSS33

NOTES

- Features $\frac{3}{4}$ " unfinished engineered wood shelf and six mounting clips with screws for all construction packages
- Will support up to 300 lbs. when installed per included installation instructions
- **Refer to appliance manufacturer's specifications for adequate clearance and weight requirements**

Tray Divider

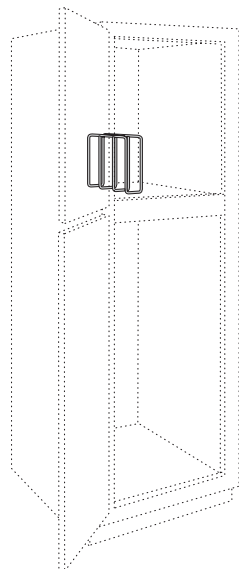


SKU

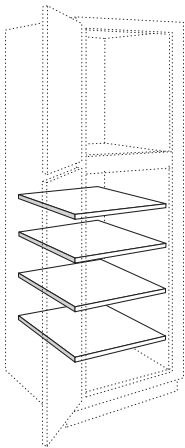
TD3

NOTES

- Field installation accessory
- Chrome finish
- Mounting hardware included
- Overall dimensions: $2\frac{7}{8}$ " wide x $9\frac{1}{16}$ " high x $11\frac{3}{4}$ " deep
- Order Cabinet Tray Dividers individually
- For use in any 24" deep cabinet or reduced depth cabinet to RD-14"



24" Deep Adjustable Shelf

**SKU
SINGLE**

S1224

S1524

S1824

S2424

S2724 ▲

S3024

S3324 ▲

S3624

**SKU
4 Pack**

SK1224

SK1524

SK1824

SK2424

SK2724 ▲

SK3024

SK3324 ▲

SK3624

OPTIONS

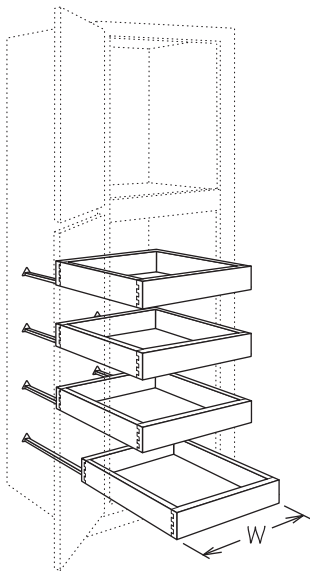
MI ▲

RD

NOTES

- Field installation accessory
- $\frac{3}{4}$ " engineered wood in natural finish for all construction packages
- Edge banded on front edge only
- Clip locks included
- Options marked with a ▲ are not available for selected SKUs

Deep Roll Out Tray

**SKU
SINGLE**

DROT12

DROT15

DROT18

DROT24

DROT27

DROT30

DROT36

**SKU
4 PACK**

DROT12-4K

DROT15-4K

DROT18-4K

DROT24-4K

—

DROT30-4K

DROT36-4K

W $7\frac{3}{4}$ " $10\frac{3}{4}$ " $13\frac{3}{4}$ " $19\frac{3}{4}$ " $22\frac{3}{4}$ " $25\frac{3}{4}$ " $31\frac{3}{4}$ "**Oven Cabinet
Width**

—

—

—

27"

30"

33"

—

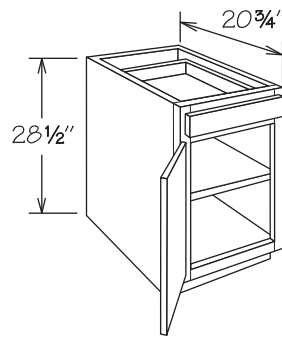
OPTIONS

RD

NOTES

- Field installation accessory
- Natural finish dovetail drawer with MDF bottom for all construction packages
- Includes all glide hardware and instructions

desk cabinets



AVAILABLE OPTIONS

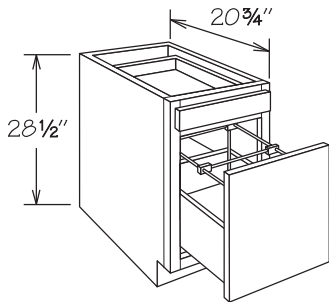
- CFO** Cabinet Front Only
- FE** Furniture Ends
- ID** Increased Depth (Bookshelves Only)
- RD** Reduced Depth
- RTK** Recessed Toe Kick

DIMENSIONS

WIDTH	HEIGHT	DEPTH
12" to 36"	28 1/2" to 96"	12" to 24"
		(Reduced Depth optional on select cabinets)

SKU CODING

DDO	18	21
Cabinet Type	Width	Depth
(e.g. DDO=	in inches	in inches
Desk Door Cabinet)		

Desk File Pull Out • 21" Deep • 1 Drawer • 1 Door Pull Out
**SKU**

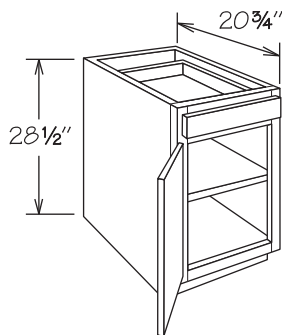
DFDC1821

OPTIONS

FE
RTK

NOTES

- One standard top drawer
- File unit installs in a natural finish drawer body
- Will accept letter or legal size hanging files
- File system packaged separately for field installation

Desk Door Cabinet • 21" Deep • 1 Door • 1 Drawer
**SKU**

DDOR1221

DDOR1521

DDOR1821

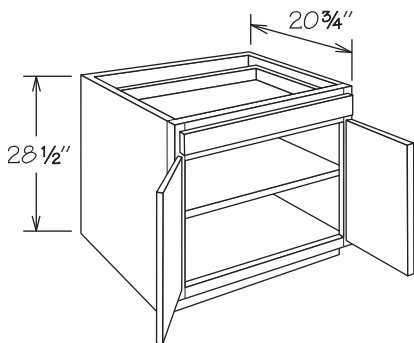
DDOR2121

OPTIONS

CFO
FE
RD
RTK

NOTES

- One adjustable shelf
- Hinged left, can be reversed in the field

Desk Door Cabinet • 21" Deep • 2 Butt Doors • 1 Drawer
**SKU**

DDOR2421 BUTT

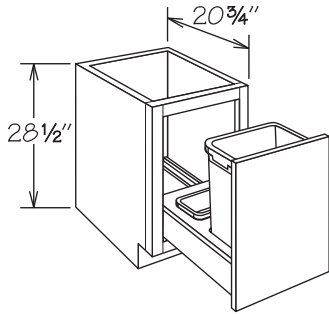
OPTIONS

CFO
FE
RD
RTK

NOTES

- One adjustable shelf

Desk Base • 21" Deep • 1 Bottom Mount Wastebasket



SKU

DWBB1821

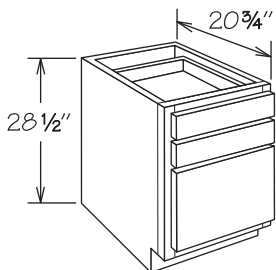
OPTIONS

FE
RTK

NOTES

- Full-height door
- Features one silver plastic 35-quart capacity bin
- Wastebasket rests in a natural finish frame
- **essential** wastebasket frame slides on full-access heavy duty glides
- **select** and **luxury** wastebasket frame slides on full-access soft-close heavy duty glides
- Includes bag storage tray at rear
- Storage tray NOT dishwasher safe
- Decorative hardware strongly recommended

Desk Drawer Cabinet • 21" Deep • 3 Drawers



SKU

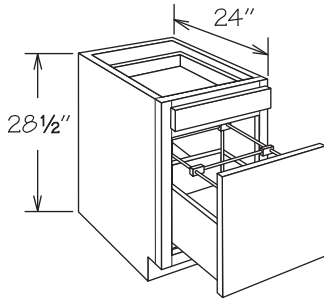
DDR1221
 DDR1521
 DDR1821
 DDR2121
 DDR2421

OPTIONS

CFO
FE
RD
RTK

NOTES

- One large and two standard drawers
- Large drawer cannot be used as a file drawer

Desk File Pull Out • 24" Deep • 1 Drawer • 1 Door Pull Out
**SKU**

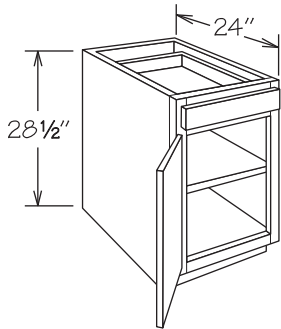
DFDC1824

OPTIONS

FE
RTK

NOTES

- One standard top drawer
- File unit installs in a natural finish drawer body
- Will accept letter or legal size hanging files
- File system packaged separately for field installation

Desk Door Cabinet • 24" Deep • 1 Door • 1 Drawer
**SKU**

DDOR1224

DDOR1524

DDOR1824

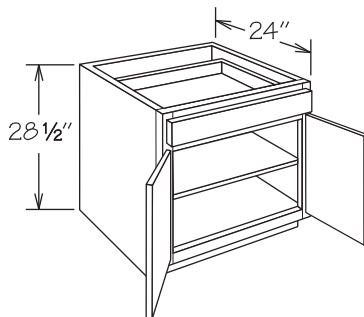
DDOR2124

OPTIONS

CFO
FE
RD
RTK

NOTES

- One adjustable shelf
- Hinged left, can be reversed in the field

Desk Door Cabinet • 24" Deep • 2 Butt Doors • 1 Drawer
**SKU**

DDOR2424 BUTT

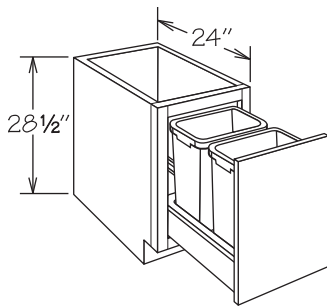
OPTIONS

CFO
FE
RD
RTK

NOTES

- One adjustable shelf

Desk Base • 24" Deep • 2 Bottom Mount Wastebaskets



SKU

DWBB1824

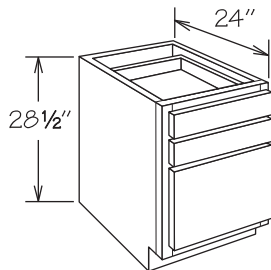
OPTIONS

FE
RTK

NOTES

- Full-height door
- Features two silver plastic 35-quart capacity bins
- Wastebaskets rest in a natural finish frame
- **essential** wastebasket frame slides on full-access heavy duty glides
- **select** and **luxury** wastebasket frame slides on full-access soft-close heavy duty glides
- Decorative hardware strongly recommended

Desk Drawer Cabinet • 24" Deep • 3 Drawers



SKU

DDR1224
 DDR1524
 DDR1824
 DDR2124
 DDR2424

OPTIONS

CFO
FE
RD
RTK

NOTES

- One large and two standard drawers
- Large drawer cannot be used as a file drawer

Wall Bookshelf



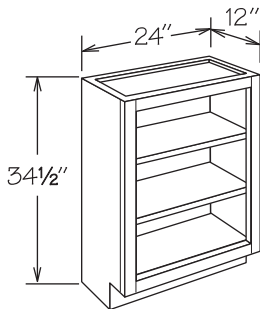
SKU	W	H	Adjustable Shelves
BSPLY1848	18"	48"	3
BSPLY2448	24"	48"	3
BSPLY3048	30"	48"	3
BSPLY3648	36"	48"	3
BSPLY1860	18"	60"	4
BSPLY2460	24"	60"	4
BSPLY3060	30"	60"	4
BSPLY3660	36"	60"	4

OPTIONS NOTES

FE
ID
RD

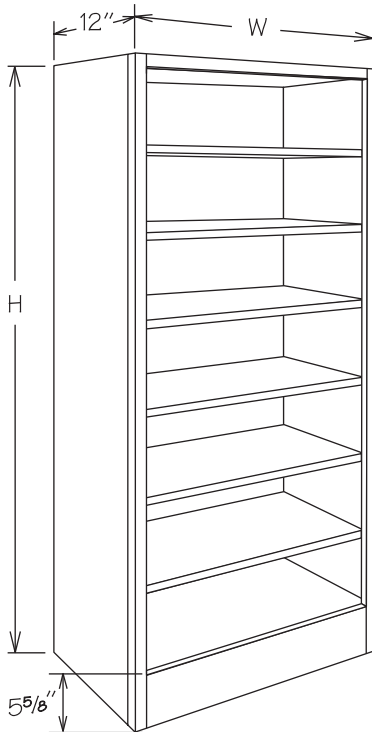
- Interior finished to match cabinet exterior
- Adjustable $\frac{3}{4}$ " plywood shelves finished to match cabinet exterior included for all construction packages
- All shelving packaged separately for field installation
- All construction packages feature plywood box construction

Base Bookshelf



SKU	OPTIONS	NOTES
BSPLY2434	FE	• Interior finished to match cabinet exterior
	ID	• Two adjustable $\frac{3}{4}$ " plywood shelves finished to match cabinet exterior included for all construction packages
	RD	• All shelving packaged separately for field installation
	RTK	• All construction packages feature plywood box construction

Tall Bookshelf



SKU	W	H	Adjustable Shelves
BSPLY1884	18"	84"	5
BSPLY2484	24"	84"	5
BSPLY3084	30"	84"	5
BSPLY3684	36"	84"	5
BSPLY1890	18"	90"	6
BSPLY2490	24"	90"	6
BSPLY3090	30"	90"	6
BSPLY3690	36"	90"	6
BSPLY1893	18"	93"	6
BSPLY2493	24"	93"	6
BSPLY3093	30"	93"	6
BSPLY3693	36"	93"	6
BSPLY1896	18"	96"	6
BSPLY2496	24"	96"	6
BSPLY3096	30"	96"	6
BSPLY3696	36"	96"	6

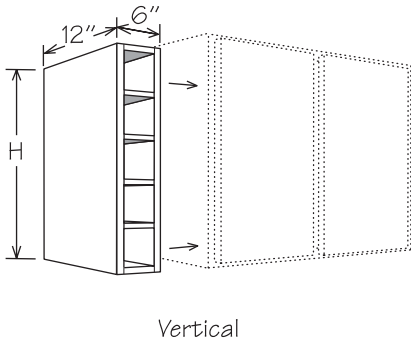
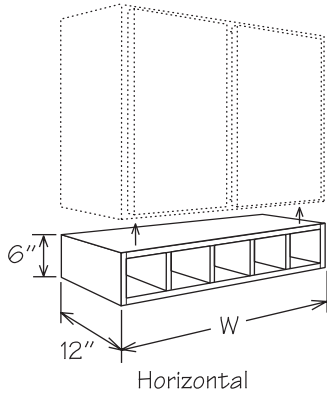
OPTIONS

FE
ID
RD

NOTES

- Interior finished to match cabinet exterior
- Flush furniture toe kick
- Flush furniture toe kick assembly shipped inside 93" and 96" high bookshelf - TEP or molding recommended to hide seam
- Adjustable 3/4" plywood shelves finished to match cabinet exterior included for all construction packages
- All shelving packaged separately for field installation
- All construction packages feature plywood box construction

Storage Cubes

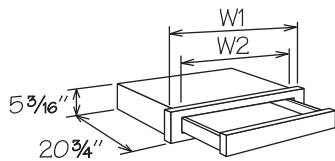


SKU	W/H	Number of Openings
SC30	30"	5
SC36	36"	6
SC42	42"	7

NOTES

- Designed for horizontal or vertical installation
- Vertical installation may require the use of fillers and/or molding - order separately
- Opening size is 5" wide x 4½" high (horizontal) which will accommodate most wine bottles and various other storage needs
- Features ¾" veneered engineered wood finished to match cabinet exterior for all construction packages
- Interior finished to match cabinet exterior
- Flush sides with no face frame or ¼" reveals
- Cannot be retrofitted with Spice Drawer Cabinet drawers

Kneehole Drawer Cabinet



SKU	W1	W2	Maximum Trim
KDC27/21	27"	17 ¾"	21" (3" each side)
KDC33/27	33"	23 ¾"	27" (3" each side)
KDC36/33	36"	29 ¾"	33" (1 ½" each side)

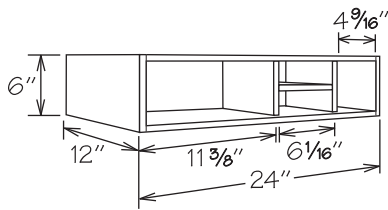
OPTIONS

RD

NOTES

- Drawer front complements door style
- Field trimmable in depth to 18"
- Field trimmable in height to 4 ¾"

Shelf Under Cabinet Organizer • 24"



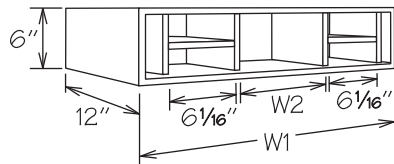
SKU

SUCO24

NOTES

- Interior finished to match cabinet exterior
- SUCO24 installs below 24" wide wall cabinet
- Features 1/2" veneered engineered wood finished to match cabinet exterior for all construction packages
- Flush sides with no face frame or 1/4" reveals
- Opening is 5" high
- Not sized to fit modified depth cabinets

Shelf Under Cabinet Organizer • 27" & 30"



SKU

SUCO27
SUCO30

W1

27"
30"

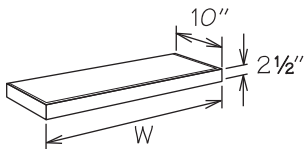
W2

8 7/8"
11 3/8"

NOTES

- SUCO27 installs below 27" wide wall cabinet
- SUCO30 installs below 30" wide wall cabinet
- Features 1/2" veneered engineered wood finished to match cabinet exterior for all construction packages
- Flush sides with no face frame or 1/4" reveals
- Opening is 5" high
- Not sized to fit modified depth cabinets

Floating Shelf

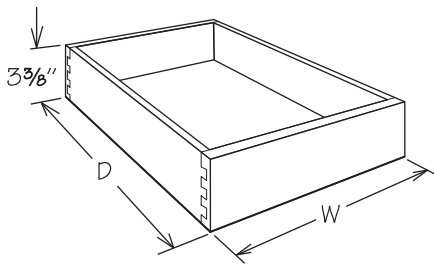


SKU	W	Maximum Load
FLSH2410	24"	30 lbs.
FLSH3010	30"	37 lbs.
FLSH3610	36"	45 lbs.
FLSH4210	42"	52 lbs.
FLSH4810	48"	60 lbs.

NOTES

- Not trimmable
- Finished on all sides to match cabinet exterior
- Constructed of veneered engineered wood top and bottom and solid wood front and sides
- Must be secured to studs in wall
- Installation instructions, metal mounting brackets and screws included

Deep Roll Out Tray



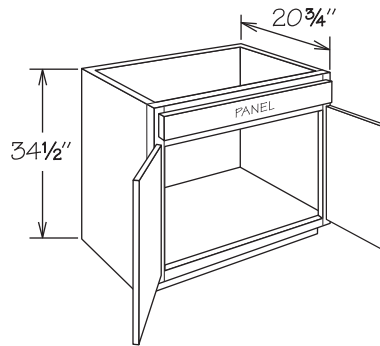
SKU	W	D
DROT12	7 3/4"	21"
DROT15	10 3/4"	21"
DROT18	13 3/4"	21"
DROT19	15 1/4"	21"
DROT21	16 3/4"	21"
DROT24	19 3/4"	21"
DROT1221	7 3/4"	18"
DROT1521	10 3/4"	18"
DROT1821	13 3/4"	18"
DROT2421	19 3/4"	18"

OPTIONS NOTES

RD

- Field installation accessory
- Natural finish dovetail drawer with MDF bottom for all construction packages
- Includes tray, all glide hardware and instructions

vanity cabinets



AVAILABLE OPTIONS

- CFO** Cabinet Front Only
- FE** Furniture Ends
- MI** Matching Interior
- RD** Reduced Depth
- RTK** Recessed Toe Kick

DIMENSIONS

WIDTH	HEIGHT	DEPTH
12" to 60"	34 1/2" to 84"	18" to 20 3/8"
		(Reduced Depth optional on select cabinets)

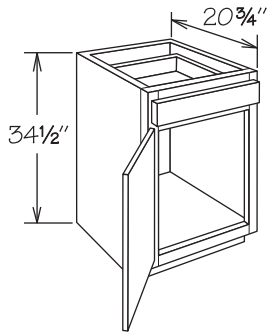
SKU CODING

VSB	36	BUTT
Cabinet Type (e.g. VSB= Vanity Sink Base)	Width in inches	Door Type

AVAILABLE SPECIALTY DOOR (SD) CABINET OPTIONS

- AFBA** Aluminum Frame Door
- OFD** Open Frame Door

Vanity Base • 1 Door • 1 Drawer

**SKU**

VB1234H

VB1534H

VB1834H

VB2134H

OPTIONS

CFO

FE

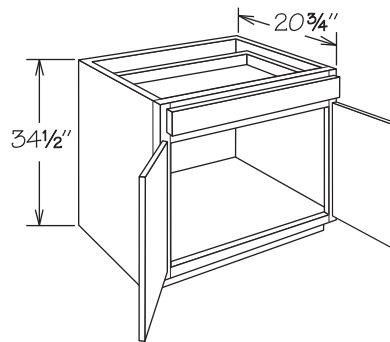
RD

RTK

NOTES

- No shelf
- Not drilled for adjustable shelf
- Hinged left, can be reversed in the field

Vanity Base • 2 Butt Doors • 1 Drawer

**SKU**

VB2434H BUTT

VB2734H BUTT

VB3034H BUTT

VB3334H BUTT

VB3634H BUTT

OPTIONS

CFO

FE

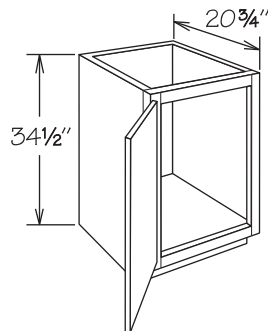
RD

RTK

NOTES

- No shelf
- Not drilled for adjustable shelf

Vanity Base • 1 Full-Height Door

**SKU**

VB1234H FH

VB1534H FH

VB1834H FH

VB2134H FH

OPTIONS

CFO

FE

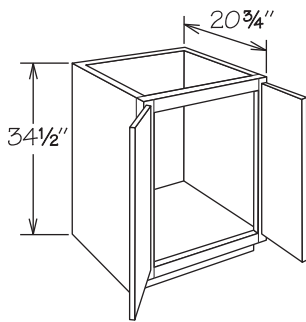
RD

RTK

NOTES

- Full-height door
- No shelf
- Not drilled for adjustable shelf
- Hinged left, can be reversed in the field

Vanity Base • 2 Full-Height Butt Doors



SKU

- VB2434H BUTT FH
- VB3034H BUTT FH
- VB3634H BUTT FH

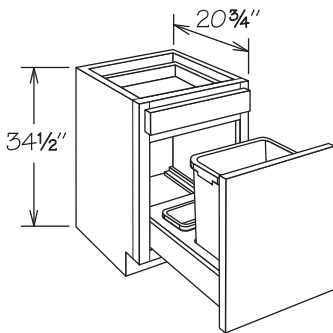
OPTIONS

CFO
FE
RD
RTK

NOTES

- Full-height doors
- No shelf
- Not drilled for adjustable shelf

Vanity Base • 1 Door • 1 Drawer • 1 Bottom Mount Wastebasket



SKU

- VWBB1834H

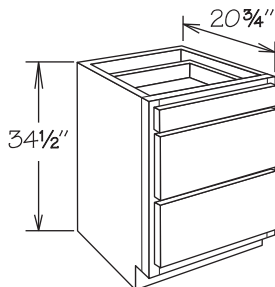
OPTIONS

FE
RTK

NOTES

- Features one silver plastic 35-quart capacity bin
- Wastebasket rests in a natural finish frame
- Includes bag storage tray at rear
- Storage tray NOT dishwasher safe
- **essential** wastebasket frame slides on full-access heavy duty glides
- **select** and **luxury** wastebasket frames slide on full-access soft-close heavy duty glides
- Decorative hardware strongly recommended

Vanity Drawer Base • 3 Drawers



SKU

- VDB1234H
- VDB1534H
- VDB1834H
- VDB2134H
- VDB2434H

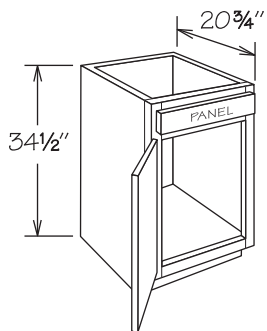
OPTIONS

CFO
FE
RD
RTK

NOTES

- One standard and two large drawers

Vanity Sink Base • 1 Door • 1 Panel

**SKU**

VSB1534H

VSB1834H

VSB2134H

OPTIONS

CFO

FE

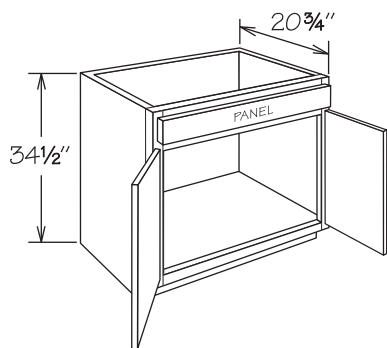
RD

RTK

NOTES

- No shelf
- Subtract 1 1/2" from depth and width for available sink bowl opening - removal of corner blocks may be required
- Hinged left, can be reversed in the field

Vanity Sink Base • 2 Butt Doors • 1 Panel

**SKU**

VSB2434H BUTT

VSB2734H BUTT

VSB3034H BUTT

VSB3334H BUTT

VSB3634H BUTT

OPTIONS

CFO

FE

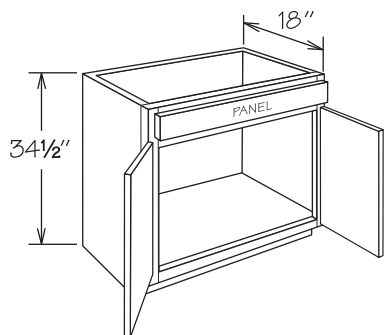
RD

RTK

NOTES

- No shelf
- Subtract 1 1/2" from depth and width for available sink bowl opening - removal of corner blocks may be required

Vanity Sink Base • 18" Deep • 2 Butt Doors • 1 Panel

**SKU**

VSB241834H BUTT

VSB301834H BUTT

VSB361834H BUTT

OPTIONS

CFO

FE

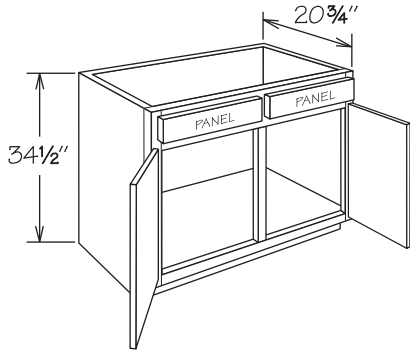
RD

RTK

NOTES

- No shelf
- Subtract 1 1/2" from depth and width for available sink bowl opening - removal of corner blocks may be required

Vanity Sink Base • 2 Doors • 2 Panels

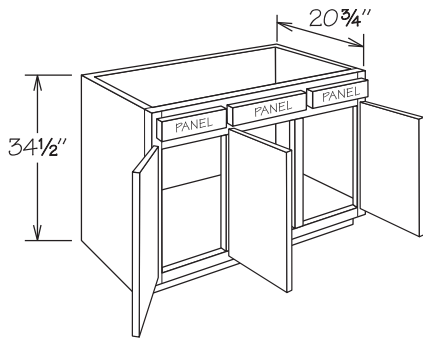


SKU
VSB3934H
VSB4234H

OPTIONS
CFO
FE
RD
RTK

NOTES
<ul style="list-style-type: none"> No shelf Subtract 1 1/2" from depth and width for available sink bowl opening - removal of corner blocks may be required

Vanity Sink Base • 3 Doors • 3 Panels

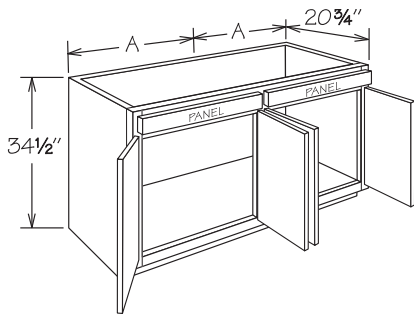


SKU
VSB4834H

OPTIONS
CFO
FE
RD
RTK

NOTES
<ul style="list-style-type: none"> No shelf Subtract 1 1/2" from depth and width for available sink bowl opening - removal of corner blocks may be required Hinged as shown – center door may be reversed in field

Vanity Sink Base • 4 Butt Doors • 2 Panels

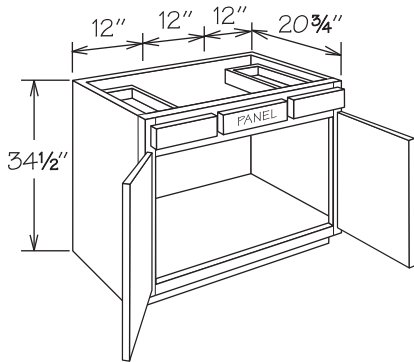


SKU	A
VSB5434H BUTT	27"
VSB6034H BUTT	30"

OPTIONS
CFO
FE
RD
RTK

NOTES
<ul style="list-style-type: none"> No shelf Subtract 1 1/2" from depth and dimension A for available sink bowl opening - removal of corner blocks may be required

Vanity Sink Base • 2 Butt Doors • 2 Drawers



SKU

VAN3634H BUTT

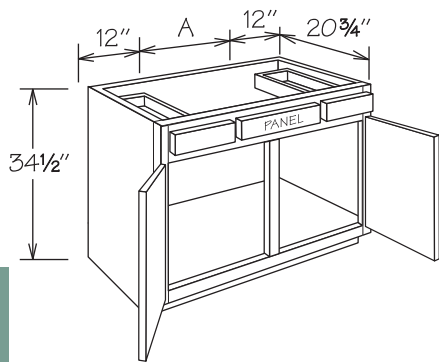
OPTIONS

CFO
FE
RD
RTK

NOTES

- No shelf
- Top drawer on each side of sink bowl opening
- Subtract 1 1/2" from depth for available sink bowl opening
- Maximum sink opening is 18"

Vanity Sink Base • 2 Doors • 2 Drawers



SKU

VAN3934H

A

15"

Max.

Sink Opening

18"

VAN4234H

18"

21"

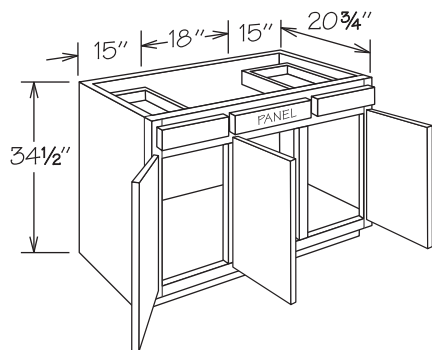
OPTIONS

CFO
FE
RD
RTK

NOTES

- No shelf
- Top drawer on each side of sink bowl opening
- Subtract 1 1/2" from depth for available sink bowl opening

Vanity Sink Base • 3 Doors • 2 Drawers



SKU

VAN4834H

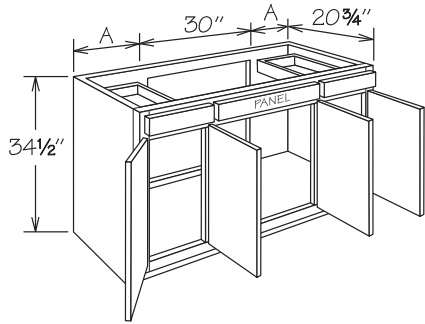
OPTIONS

CFO
FE
RD
RTK

NOTES

- No shelf
- Top drawer on each side of sink bowl opening
- Subtract 1 1/2" from depth for available sink bowl opening
- Maximum sink opening is 21"
- Hinged as shown – center door may be reversed in field

Vanity Sink Base • 4 Doors • 2 Drawers



SKU	A
VAN5434H BUTT	12"
VAN6034H BUTT	15"

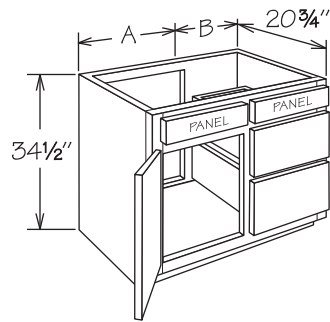
OPTIONS

CFO
FE
RD
RTK

NOTES

- Features Butt doors at sink bowl opening
- No shelf
- Open area for plumbing access
- Top drawer on each side of sink bowl opening
- Subtract 1 1/2" from depth for available sink bowl opening
- Maximum sink opening is 33"

Vanity Combo Sink Base • 1 Door • 2 Drawers



SKU	A	B
VSDB2434H	12"	12"
VSDB2734H	15"	12"
VSDB3034H	18"	12"
VSDB3334H	21"	12"
VSDB3634H	21"	15"
VSDB3934H	21"	18"

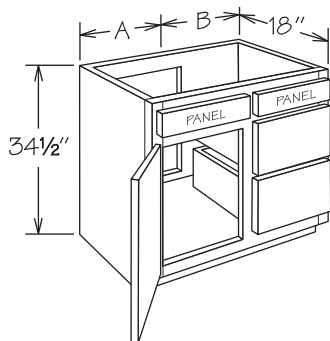
OPTIONS

CFO
FE
RD
RTK

NOTES

- No shelf
- Open area for plumbing access
- Allow for plumbing placement to clear drawers
- Drawers available on right or left side (please specify)
- Cabinet shown is right indicating drawers on the right side of the cabinet
- Subtract 1 1/2" from depth and overall cabinet width for available sink bowl opening - removal of corner blocks may be required

Vanity Combo Sink Base • 18" Deep • 1 Door • 2 Drawers



SKU	A	B
VSDB241834H	12"	12"
VSDB271834H	15"	12"
VSDB301834H	18"	12"
VSDB331834H	21"	12"
VSDB361834H	21"	15"

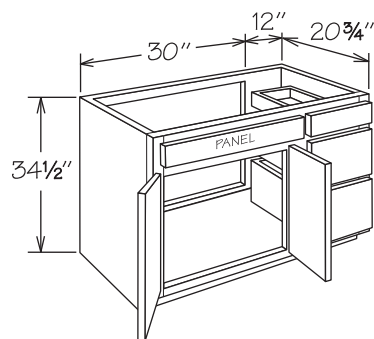
OPTIONS

CFO
FE
RD
RTK

NOTES

- No shelf
- Open area for plumbing access
- Allow for plumbing placement to clear drawers
- Drawers available on right or left side (please specify)
- Cabinet shown is right indicating drawers on the right side of the cabinet
- Subtract 1 1/2" from depth and overall cabinet width for available sink bowl opening - removal of corner blocks may be required

Vanity Combo Sink Base • 2 Butt Doors • 3 Drawers



SKU

VSDB4234H BUTT

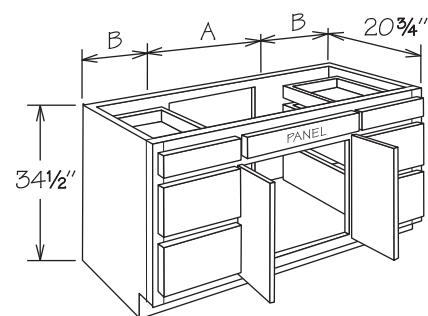
OPTIONS

CFO
FE
RD
RTK

NOTES

- No shelf
- Open area for plumbing access
- Allow for plumbing placement to clear drawers
- Drawers available on right or left side (please specify)
- Cabinet shown is right indicating drawers on the right side of the cabinet
- Subtract 1 1/2" from depth and 30" dimension for available sink bowl opening
- Requires off-center sink bowl opening

Vanity Combo Sink Base • 2 Butt Doors • 6 Drawers



SKU

VSDB4834HD BUTT

A

24"

B

12"

VSDB5434HD BUTT

24"

15"

VSDB6034HD BUTT

30"

15"

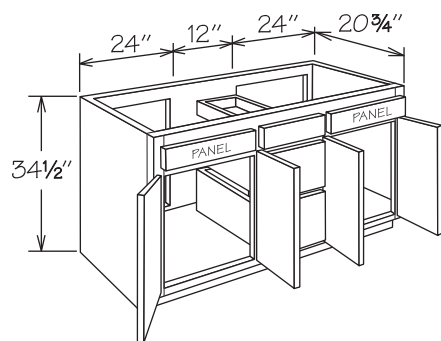
OPTIONS

CFO
FE
RD
RTK

NOTES

- No shelf
- Open area for plumbing access
- Subtract 1 1/2" from depth and dimension A for available sink bowl opening

Vanity Combo Sink Base • 4 Butt Doors • 3 Drawers



SKU

VSDB6034HC BUTT

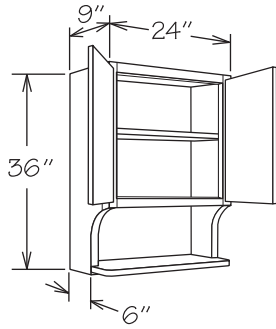
OPTIONS

CFO
FE
RD
RTK

NOTES

- No shelf
- Open area for plumbing access
- Subtract 1 1/2" from depth and each 24" dimension for available sink bowl opening - removal of corner blocks may be required

Valet Cabinet • 2 Butt Doors



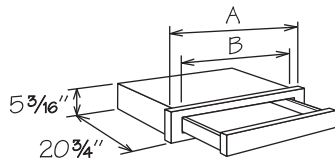
SKU

VC2436 BUTT

NOTES

- Matching Interior standard
- Flush sides with no face frame or 1/4" reveals
- Bottom opening: 22 1/2" x 10 7/8"
- Features a fixed shelf
- Sides and bottom shelf feature 3/4" engineered wood veneered on both sides for all construction packages

Kneehole Drawer Cabinet



SKU	A	B	Maximum Trim
KDC27/21	27"	17 3/4"	21" (3" each side)
KDC33/27	33"	23 3/4"	27" (3" each side)
KDC36/33	36"	29 3/4"	33" (1 1/2" each side)

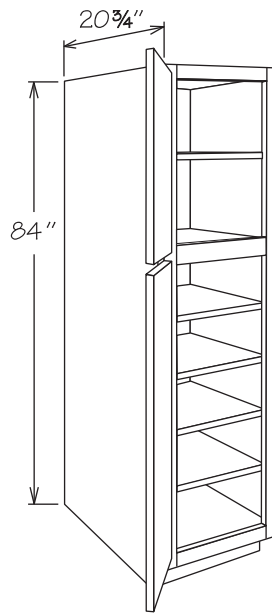
OPTIONS

RD

NOTES

- Drawer front complements door style
- Field trimmable in height to 4 3/4"
- Field trimmable in depth to 18"

Vanity Linen Cabinet • 2 Doors with Adjustable Shelves



SKU

Number of Shelves

VLC152184 AS

5

VLC182184 AS

5

VLC152184 AS SD ▲

5

VLC182184 AS SD ▲

5

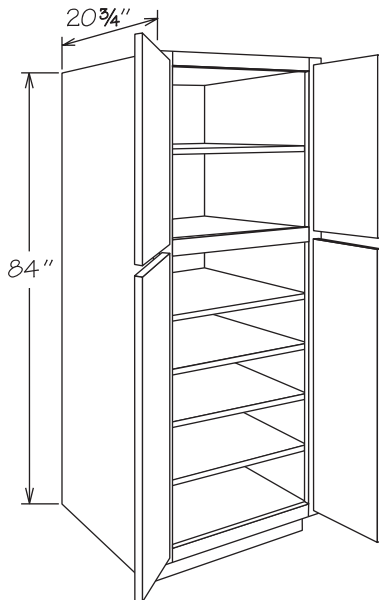
OPTIONS

NOTES

CFO
FE
MI ▲
RD

- Features one shelf in top section and four shelves in lower section
- Adjustable shelves packaged separately for field installation
- Vanity Linen cabinet bottom door will have a center rail with the exception of AVELEY, PORT, STONEWALL and TENLEY
- Specialty Door (SD) cabinets feature matching interior standard
- Options marked with a ▲ are not available for selected SKUs
- Hinged left, can be reversed in the field

Vanity Linen Cabinet • 4 Butt Doors with Adjustable Shelves



SKU

Number of Shelves

VLC242184 AS BUTT

5

VLC242184 AS BUTT SD ▲

5

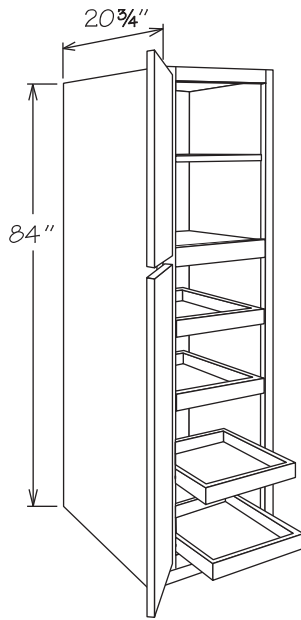
OPTIONS

NOTES

CFO
FE
MI ▲
RD

- Features one shelf in top section and four shelves in lower section
- Adjustable shelves packaged separately for field installation
- Vanity Linen cabinet bottom door will have a center rail with the exception of AVELEY, PORT, STONEWALL and TENLEY
- Specialty Door (SD) cabinets feature matching interior standard
- Options marked with a ▲ are not available for selected SKUs

Vanity Linen Cabinet • 2 Doors with Deep Roll Out Trays



SKU	Number of Shelves	Number of Trays
VLC152184 4ROT	1	4
VLC182184 4ROT	1	4
VLC152184 4ROT SD ▲	1	4
VLC182184 4ROT SD ▲	1	4

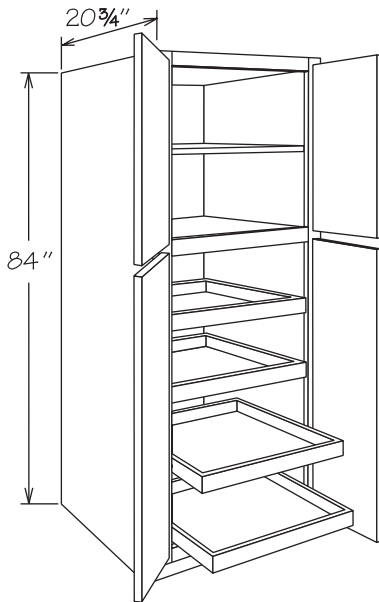
OPTIONS

FE	
MI	▲
RD	

NOTES

- Features one shelf in top section and four Deep Roll Out Trays in lower section
- Adjustable shelf and Deep Roll Out Trays packaged separately for field installation
- Vanity Linen cabinet bottom door will have a center rail with the exception of AVELEY, PORT, STONEWALL and TENLEY
- Specialty Door (SD) cabinets feature matching interior standard
- Options marked with a ▲ are not available for selected SKUs
- Hinged left, can be reversed in the field

Vanity Linen Cabinet • 4 Butt Doors with Deep Roll Out Trays



SKU	Number of Shelves	Number of Trays
VLC242184 4ROT BUTT	1	4
VLC242184 4ROT BUTT SD ▲	1	4

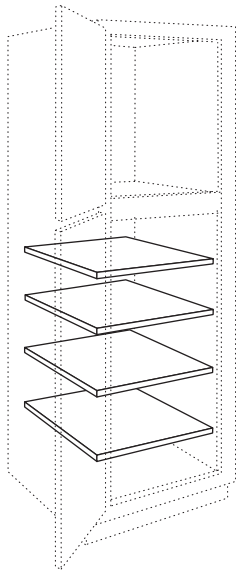
OPTIONS

FE	
MI	▲
RD	

NOTES

- Features one shelf in top section and four Deep Roll Out Trays in lower section
- Adjustable shelf and Deep Roll Out Trays packaged separately for field installation
- Vanity Linen cabinet bottom door will have a center rail with the exception of AVELEY, PORT, STONEWALL and TENLEY
- Specialty Door (SD) cabinets feature matching interior standard
- Options marked with a ▲ are not available for selected SKUs

21" Deep Adjustable Shelf



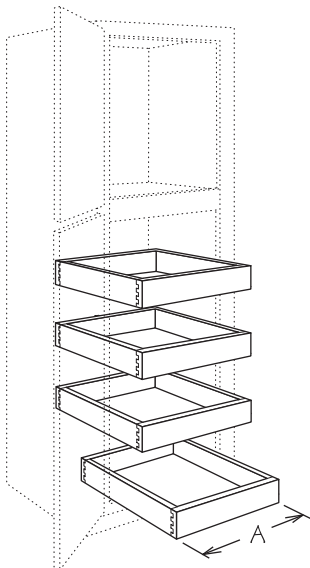
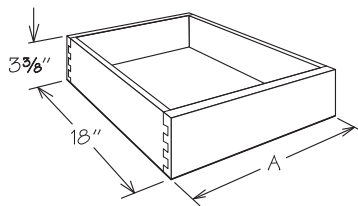
SKU	Number of Shelves
S1521	1
S1821	1
S2421	1
SK1521	4
SK1821	4
SK2421	4

OPTIONS **NOTES**

MI
RD

- Field installation accessory
- $\frac{3}{4}$ " engineered wood in natural finish for all construction packages
- Edge banded on front edge only
- CLIP LOCK shelf rests included

Deep Roll Out Tray



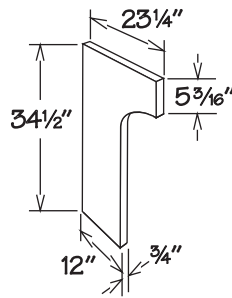
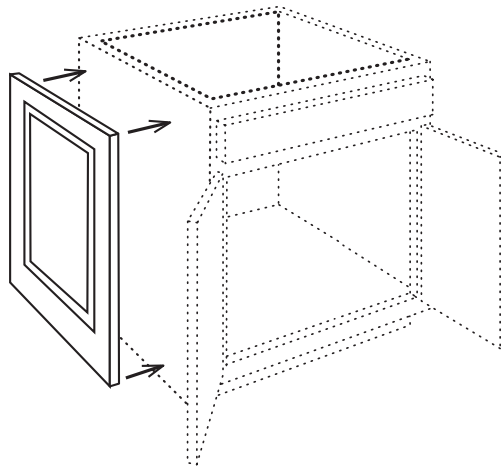
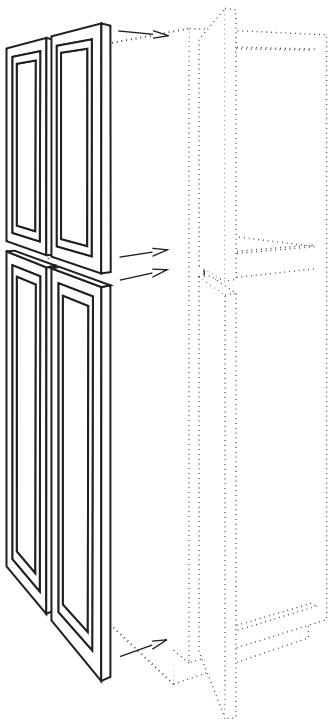
SKU	A	Number of Trays
DROT1221	7 $\frac{3}{4}$ "	1
DROT1521	10 $\frac{3}{4}$ "	1
DROT1821	13 $\frac{3}{4}$ "	1
DROT2421	19 $\frac{3}{4}$ "	1
DROT1221-4K	7 $\frac{3}{4}$ "	4
DROT1521-4K	10 $\frac{3}{4}$ "	4
DROT1821-4K	13 $\frac{3}{4}$ "	4
DROT2421-4K	19 $\frac{3}{4}$ "	4

OPTIONS **NOTES**

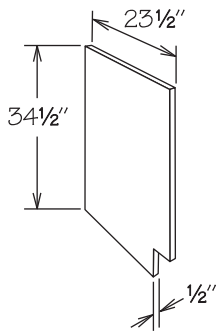
RD

- Field installation accessory
- Natural finish dovetail drawer with MDF bottom for all construction packages
- Includes Deep Roll Out Tray, all glide hardware and installation instructions

panels and fillers



Sink Front Return



SKU

SFRR

SFRL

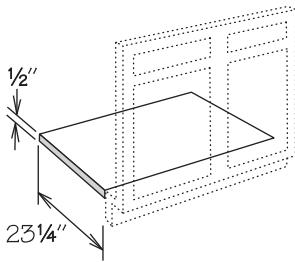
OPTIONS

FE

NOTES

- **essential** and **select** feature 1/2" engineered wood with TuffTech finish - outside finished to match cabinet exterior and inside with a natural woodgrain look
- **luxury** features 1/2" plywood - outside finished to match cabinet exterior and inside with a natural woodgrain look
- SKU signifies left or right return
- Attaching blocks included
- Field trimmable
- When ordered with the Furniture Ends Option (FE) return will feature a rabbeted front edge

Sink Front Floor



SKU

FL24

FL36

FL36X36

FL48

FL48X48

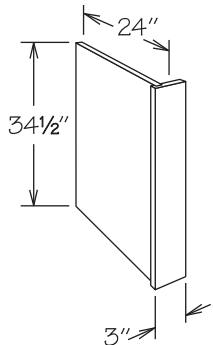
FL60

FL72

NOTES

- All construction packages feature 1/2" engineered wood with TuffTech finish - one side finished with a natural woodgrain look
- Oversized 1/2" in width
- FL36X36 to be used for CSF36 (trim to fit)
- FL48X48 to be used for CSF42 (trim to fit)
- Field trimmable

Dishwasher Return



SKU

DWR3

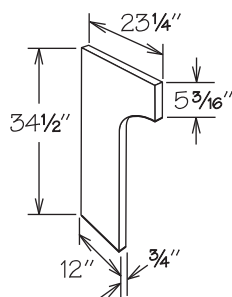
OPTIONS

FE

NOTES

- **essential** and **select** feature 1/2" engineered wood with TuffTech finish - outside finished to match cabinet exterior and inside with a natural woodgrain look
- **luxury** features 1/2" plywood - outside finished to match cabinet exterior and inside with a natural woodgrain look
- Solid wood front for all construction packages
- Reversible for left or right installation
- Attaching blocks included
- Field trimmable to 1" in width
- Can be notched for toe kick in the field

Desk End Panel



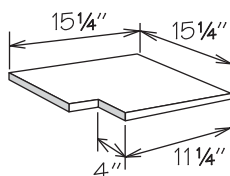
SKU

DEP

NOTES

- All construction packages feature 3/4" engineered wood with TuffTech finish - both sides finished to match cabinet exterior
- Recommend QM8 be ordered for installation to ensure proper attachment to wall
- Field trimmable
- Edge banded on front

Blind Corner Closure

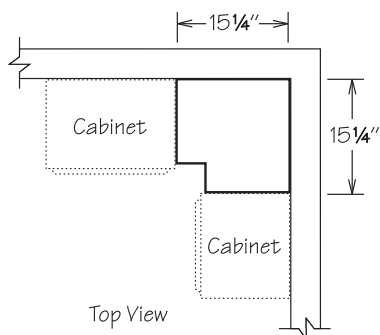


SKU

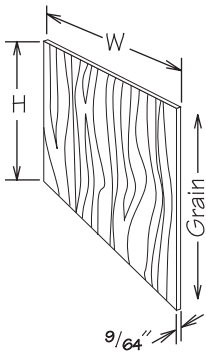
BLC1515

NOTES

- All construction packages feature 1/2" engineered wood with TuffTech finish - both sides finished with a natural woodgrain look
- Field trimmable



End Panel

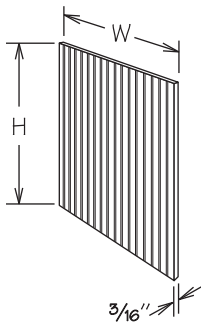


SKU	W	H
BEP34	23 1/4"	34 1/2"
WEP30	11 1/4"	30 1/8"
WEP42	11 1/4"	42 1/8"
WEP48	11 1/4"	48 1/8"
WEP1542	14 1/4"	42 1/8"
TEP84	23 1/4"	84"
TEP96	23 1/4"	96"
TEP120	23 1/4"	120"
FP4834	48"	34 1/2"
FP4896	48"	96"
FP9634	96"	34 1/2"
FP9648	96"	48"

NOTES

- All door styles feature MDF - one side finished to match cabinet exterior
- TEP120 will feature plywood with vertical grain - one side finished to match cabinet exterior for all door styles
- Field trimmable, can be notched for toe kick

Grooved Panel

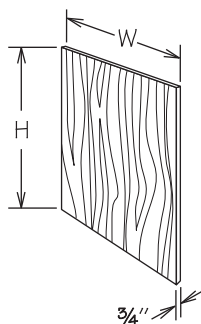


SKU	W	H
BEP34 GROOVED	23 1/4"	34 1/2"
WEP30 GROOVED	11 1/4"	30 1/8"
WEP42 GROOVED	11 1/4"	42 1/8"
WEP48 GROOVED	11 1/4"	48 1/8"
WEP1542 GROOVED	14 1/4"	42 1/8"
TEP84 GROOVED	23 1/4"	84"
TEP96 GROOVED	23 1/4"	96"
FP4834 GROOVED	48"	34 1/2"
FP4896 GROOVED	48"	96"
FP9634 GROOVED	96"	34 1/2"

NOTES

- All construction packages feature 3/16" plywood panel - one side finished to match cabinet exterior
- Grooved every 1 1/2" on one side
- FP9634 Grooved paneling is shipped as (2) 48" wide x 34 1/2" high panels
- Field trimmable, can be notched for toe kick

Wood Panel

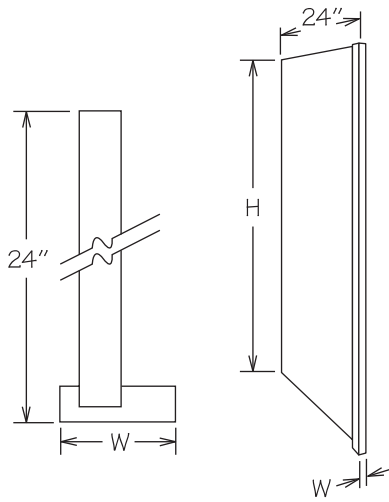


SKU	W	H
WBEP	24"	34½"
WTEP84	24"	84"
WTEP96	24"	96"
WTEP120	24"	120"
DWTEP84	32"	84"
DWTEP96	32"	96"

NOTES

- All construction packages feature ¾" engineered wood - both sides finished to match cabinet exterior
- Edge banded on both long edges
- Field trimmable, can be notched for toe kick

Refrigerator Return • 1/2" Panel



SKU	W	H
RR84	1 5/8"	84"
RR384	3"	84"
RR96	1 5/8"	96"
RR396	3"	96"

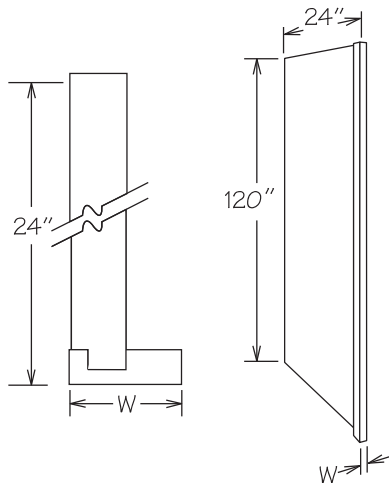
OPTIONS

FE
MI

NOTES

- **essential** and **select** feature 1/2" engineered wood with TuffTech finish - outside finished to match cabinet exterior and inside with a natural woodgrain look
- **luxury** features 1/2" plywood - outside finished to match cabinet exterior and inside with a natural woodgrain look
- Solid wood front for all construction packages
- Invert for left or right installation
- Field trimmable, can be notched for toe kick

Refrigerator Return • 3/4" Panel

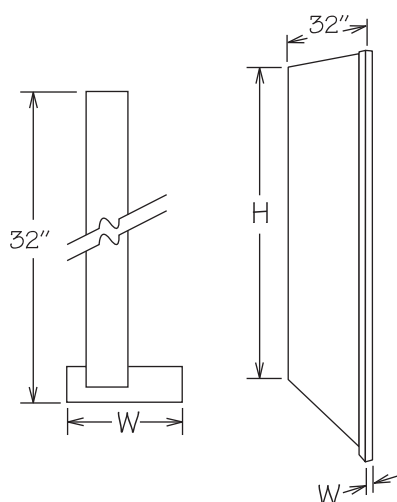


SKU	W
RR120FL	1 5/8"
RR3120FL	3"

NOTES

- **essential** and **select** feature 3/4" engineered wood with TuffTech finish - both sides finished to match cabinet exterior
- **luxury** features 3/4" plywood - both sides finished to match cabinet exterior
- Solid wood front for all construction packages
- Invert for left or right installation
- Field trimmable, can be notched for toe kick

Refrigerator Return • 1/2" Panel • 32" Deep



SKU	W	H
RR84 X 32 DP	1 5/8"	84"
RR384 X 32 DP	3"	84"
RR96 X 32 DP	1 5/8"	96"
RR396 X 32 DP	3"	96"

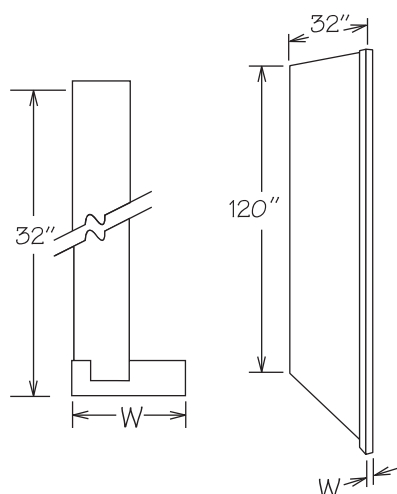
OPTIONS

FE
MI
RD

NOTES

- All construction packages feature 1/2" plywood - outside finished to match cabinet exterior and inside with a natural woodgrain look
- Solid wood front for all construction packages
- Invert for left or right installation
- Field trimmable, can be notched for toe kick
- Reduced depth minimum is 4"

Refrigerator Return • 3/4" Panel • 32" Deep



SKU	W
RR120FL X 32 DP	1 5/8"
RR3120FL X 32 DP	3"

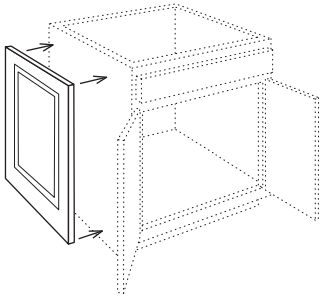
OPTIONS

RD

NOTES

- All construction packages feature 3/4" plywood - both sides finished to match cabinet exterior
- Solid wood front for all construction packages
- Invert for left or right installation
- Field trimmable, can be notched for toe kick
- Reduced depth minimum is 4"

Decorator Matching Doors for Base



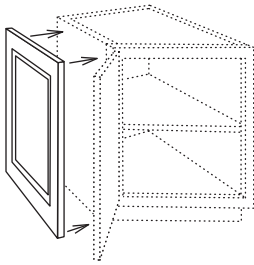
SKU

DMDB

NOTES

- Furniture Ends Option (FE) or BEP34 panel is recommended for installation
- Attaches to side of Base cabinet
- Matches style and finish of cabinet doors
- Door thickness is 3/4"

Decorator Matching Doors for BEA12



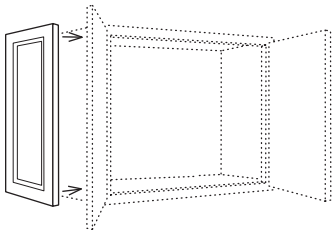
SKU

DMDBEA12

NOTES

- Furniture Ends Option (FE) or WEP42 panel is recommended for installation
- Attaches to side of BEA12 FH or BSPLY2434
- Matches style and finish of cabinet doors
- Door thickness is 3/4"

Decorator Matching Doors for Wall



SKU

DMDW18

DMDW24

DMDW30

DMDW36

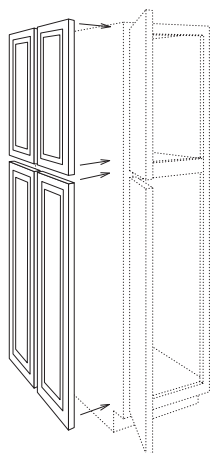
DMDW39

DMDW42

NOTES

- Furniture Ends Option (FE) or WEP30/WEP42 panel is recommended for installation
- Attaches to side of Wall cabinet
- Matches style and finish of cabinet doors
- Door thickness is 3/4"

Decorator Matching Doors for Tall



SKU

DMDT8424

DMDT9024

DMDT9324

DMDT9624

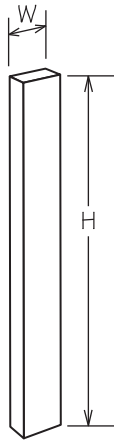
NOTES

- Consists of four individual doors
- Furniture Ends Option (FE) or TEP84TEP96 panel is recommended for installation
- Attaches to side of Utility or Oven cabinet
- Matches style and finish of cabinet doors
- Door thickness is $\frac{3}{4}$ "
- DMDT bottom doors will have a center rail with the exception of AVELEY, PORT, STONEWALL and TENLEY

Decorator Matching Door Dimensions

SKU	Qty	W	H
Decorator Matching Wall Doors			
DMDW18	1	11 $\frac{23}{32}$ "	17 $\frac{1}{2}$ "
DMDW24	1	11 $\frac{23}{32}$ "	23 $\frac{7}{8}$ "
DMDW30	1	11 $\frac{23}{32}$ "	29 $\frac{1}{2}$ "
DMDW36	1	11 $\frac{23}{32}$ "	35 $\frac{1}{2}$ "
DMDW39	1	11 $\frac{23}{32}$ "	38 $\frac{1}{2}$ "
DMDW42	1	11 $\frac{23}{32}$ "	41 $\frac{1}{2}$ "
Decorator Matching Base Doors			
DMDB	1	23 $\frac{9}{16}$ "	29 $\frac{1}{2}$ "
DMDBEA12	1	11 $\frac{9}{16}$ "	29 $\frac{7}{8}$ "
Decorator Matching Tall Doors			
DMDT8424	2	11 $\frac{23}{32}$ "	29 $\frac{1}{2}$ "
	2	11 $\frac{23}{32}$ "	49 $\frac{1}{4}$ "
DMDT9024	2	11 $\frac{23}{32}$ "	35 $\frac{1}{2}$ "
	2	11 $\frac{23}{32}$ "	49 $\frac{1}{4}$ "
DMDT9324	2	11 $\frac{23}{32}$ "	38 $\frac{1}{2}$ "
	2	11 $\frac{23}{32}$ "	49 $\frac{1}{4}$ "
DMDT9624	2	11 $\frac{23}{32}$ "	41 $\frac{1}{2}$ "
	2	11 $\frac{23}{32}$ "	49 $\frac{1}{4}$ "

Universal Filler

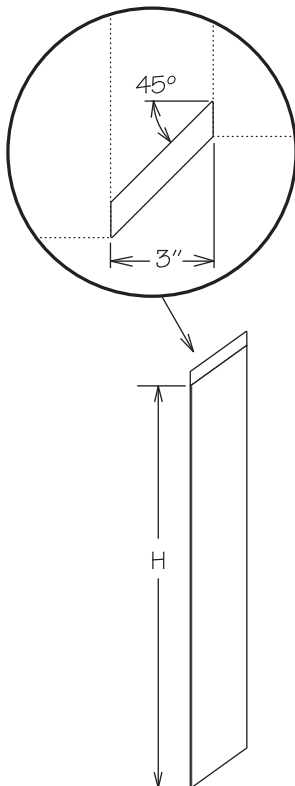


SKU	W	H
UF3	3"	30 1/2"
UF6	6"	30 1/2"
UF342	3"	42 1/8"
UF642	6"	42 1/8"
UF380	3"	80"
UF680	6"	80"
UF392	3"	92"
UF692	6"	92"
UF692	6"	92"
UF3120	3"	120"
S3S396	3"	96"
S3S696	6"	96"

NOTES

- 3/4" solid wood for all construction packages
- UF finished on front and all four edges
- S3S__ is finished on one side and all four edges
- Field trimmable

Universal Filler Extension

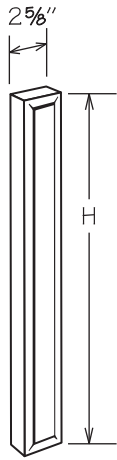


SKU	H
UF E3	30 1/2"
UF E342	42 1/8"

NOTES

- For wall or base application
- 3/4" solid wood for all construction packages
- Finished on front and all four edges
- Field trimmable

Overlay Filler

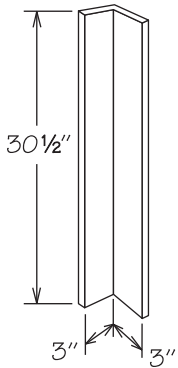


SKU	H
WOF312	119/16"
WOF315	14 9/16"
WOF318	17 9/16"
WOF321	20"
WOF324	23 7/8"
WOF327	26 1/2"
WOF330	29 1/2"
WOF336	35 1/2"
WOF339	38 1/2"
WOF342	41 1/2"
BOF3	29 7/8"
TOF384	79 3/8"
TOF390	85 3/8"
TOF393	88 3/8"
TOF396	91 3/8"

NOTES

- Outside profile matches door
- All edges are finished
- 3/4" solid wood for all construction packages
- Indicate door style when ordering
- Must be mounted to a Universal Filler, BFP3 Base Filler Pull Out or Column Filler

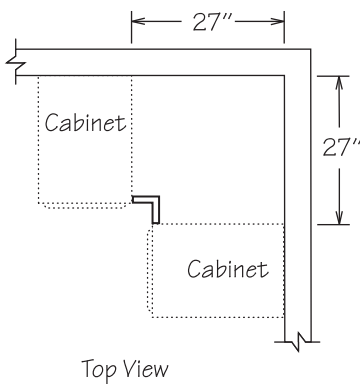
Base Corner Filler



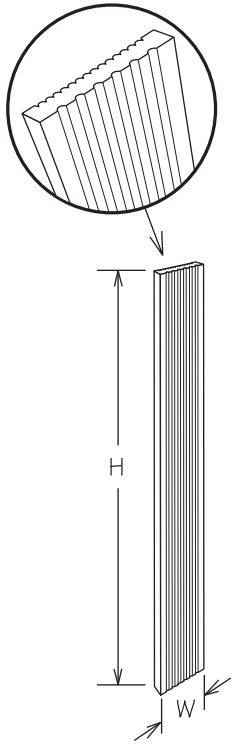
SKU
BCF27

NOTES

- 3/4" solid wood for all construction packages
- Finished on front and all four edges
- Field trimmable



Fluted Beaded Filler • Reversible

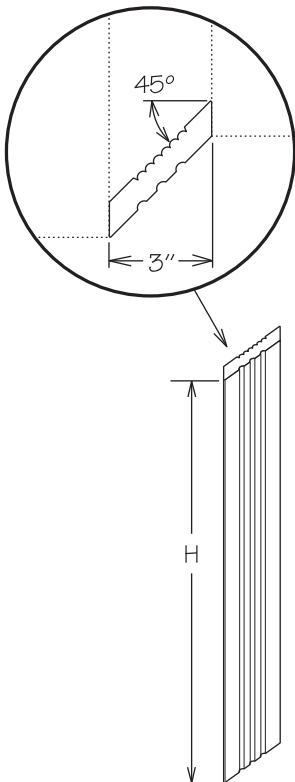


SKU	W	H
FBF3	3"	30 1/2"
FBF342	3"	42 1/8"
FBF384	3"	84"
FBF396	3"	96"
FBF6	6"	30 1/2"
FBF642	6"	42 1/8"
FBF684	6"	84"
FBF696	6"	96"

NOTES

- Filler is fluted on one side and beaded on reverse
- Ensure correct side is exposed during installation
- 3/4" solid wood for all construction packages
- Finished on all sides
- Decorative Block(s) for accent may be ordered separately
- Field trimmable in height only

Fluted Beaded Filler Extension • Reversible

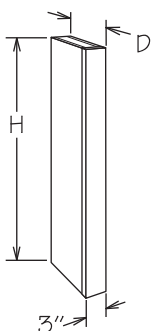


SKU	H
FBF E3	30 1/2"
FBF E342	42 1/8"

NOTES

- For wall or base application
- Filler is fluted on one side and beaded on reverse
- Ensure correct side is exposed during installation
- 3/4" solid wood for all construction packages
- Finished on all sides
- Decorative Block(s) for accent may be ordered separately
- Field trimmable in height only

Plain Column Filler

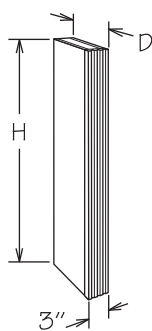


SKU	D	H
WPC31530	15"	30 1/8"
WPC31542	15"	42 1/8"
WPC31560	15"	60"
BPC32734	27"	34 1/2"
TPC32784	27"	84"
TPC32796	27"	96"

NOTES

- 3" wide x 3/4" thick solid wood front with finished veneered engineered wood sides for all construction packages
- Sides are flush with face
- For left or right installation
- Top and bottom edges of returns are edge banded
- Overlay Filler or Split Post with accessories for accent may be ordered separately
- Field trimmable to any depth
- Field trimmable in height as noted below:
 - ✦ WPC31530 to 27 1/8", 24 1/2", 20 5/8", 18 1/8", 15 1/8" or 12 1/8"
 - ✦ WPC31542 to 39 1/8" or 36 1/8"
 - ✦ WPC31560 to 54" or 48"
 - ✦ BPC32734 to 31 1/8" or 28 1/2"
 - ✦ TPC32784 not trimmable
 - ✦ TPC32796 to 93" or 90"

Fluted Column Filler

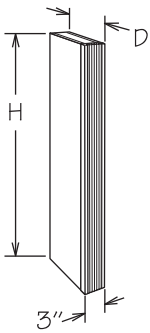


SKU	D	H
WFC31530	15"	30 1/8"
WFC31542	15"	42 1/8"
WFC31560	15"	60"
BFC32734	27"	34 1/2"
TFC32784	27"	84"
TFC32796	27"	96"

NOTES

- 3" wide x 3/4" thick solid wood front with finished veneered engineered wood sides for all construction packages
- Sides are flush with face
- For left or right installation
- Top and bottom edges of returns are edge banded
- Decorative Block(s) for accent may be ordered separately
- Field trimmable to any depth
- Field trimmable in height as noted below:
 - ✦ WFC31530 to 27 1/8", 24 1/2", 20 5/8", 18 1/8", 15 1/8" or 12 1/8"
 - ✦ WFC31542 to 39 1/8" or 36 1/8"
 - ✦ WFC31560 to 54" or 48"
 - ✦ BFC32734 to 31 1/8" or 28 1/2"
 - ✦ TFC32784 not trimmable
 - ✦ TFC32796 to 93" or 90"

Beaded Column Filler

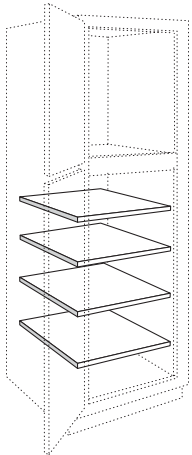


SKU	D	H
WBC31530	15"	30 $\frac{1}{8}$ "
WBC31542	15"	42 $\frac{1}{8}$ "
WBC31560	15"	60"
BBC32734	27"	34 $\frac{1}{2}$ "
TBC32784	27"	84"
TBC32796	27"	96"

NOTES

- 3" wide x $\frac{3}{4}$ " thick solid wood front with finished veneered engineered wood sides for all construction packages
- Sides are flush with face
- Reversible for left or right installation
- Top and bottom edges of returns are edge banded
- Decorative Block(s) for accent may be ordered separately
- Field trimmable to any depth
- Field trimmable in height as noted below:
 - ✦ WBC31530 to 27 $\frac{1}{8}$ ", 24 $\frac{1}{2}$ ", 20 $\frac{5}{8}$ ", 18 $\frac{1}{8}$ ", 15 $\frac{1}{8}$ " or 12 $\frac{1}{8}$ "
 - ✦ WBC31542 to 39 $\frac{1}{8}$ " or 36 $\frac{1}{8}$ "
 - ✦ WBC31560 to 54" or 48"
 - ✦ BBC32734 to 31 $\frac{1}{8}$ " or 28 $\frac{1}{2}$ "
 - ✦ TBC32784 not trimmable
 - ✦ TBC32796 to 93" or 90"

Adjustable Shelf



SKU Single 24" Deep	SKU 4 Pack 24" Deep	SKU Single 21" Deep	SKU 4 Pack 21" Deep
S1224	SK1224	-	-
S1524	SK1524	S1521	SK1521
S1824	SK1824	S1821	SK1821
S2424	SK2424	S2421	SK2421
S2724 ▲	SK2724 ▲	-	-
S3024	SK3024	-	-
S3324 ▲	SK3324 ▲	-	-
S3624	SK3624	-	-

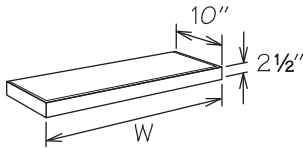
OPTIONS

MI ▲
RD

NOTES

- Field installation accessory
- Edge banded on front edge only
- Clip locks included
- Options marked with ▲ are not available for selected SKUs

Floating Shelf

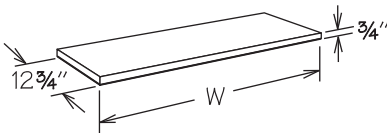


SKU	W	Maximum Load
FLSH2410	24"	30 lbs.
FLSH3010	30"	37 lbs.
FLSH3610	36"	45 lbs.
FLSH4210	42"	52 lbs.
FLSH4810	48"	60 lbs.

NOTES

- Not trimmable
- Finished on all sides to match cabinet exterior
- Veneered engineered wood top and bottom and solid wood front and sides for all construction packages
- Must be secured to studs in wall
- Installation instructions, metal mounting brackets and screws included

Finished Shelf

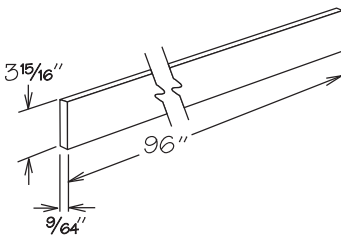


SKU	W
FS4812	48 ¹ / ₄ "
FS6012	60 ¹ / ₄ "
FS7212	72 ¹ / ₄ "

NOTES

- Veneered engineered wood, edge banded all sides for all construction packages
- Field trimmable

Base Toe Kick



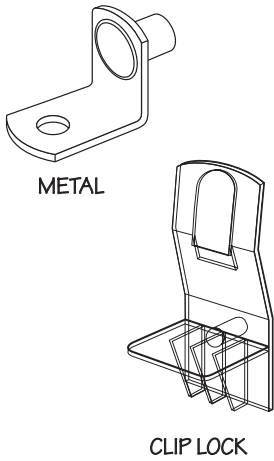
SKU

BTK8

NOTES

- All door styles feature MDF finished on one side to match cabinet exterior
- Putty Stick and Touch Up Marker are recommended for exposed ends

Shelf Rests

**SKU**

SHELF REST METAL 4PK

DESCRIPTION

Package of 4 – Wall Cabinets, OFD Cabinets or Bookshelves

SHELF REST METAL 12

Package of 12 – Wall Cabinets, OFD Cabinets or Bookshelves

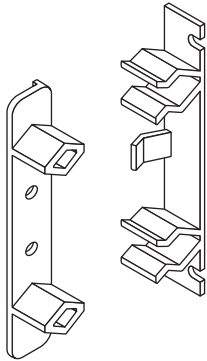
CLIP LOCK 3/4 4 PK

Package of 4 for ¾" Base or Tall Shelves

NOTES

- Metal shelf rests are nickel plated steel
- Clip Lock shelf rests are molded clear high-strength polycarbonate

Dummy Drawer Front Fastener

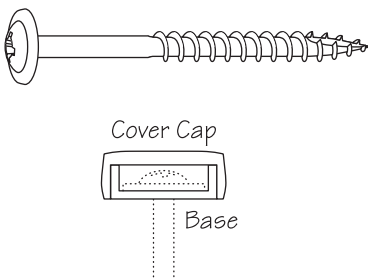
**SKU**

DDF FASTENER

NOTES

- For installation of one dummy drawer front
- Kit features two sets of DDF Fasteners, eight screws and instruction sheet
- Please refer to cabinet specifications as some cabinets will require more than one kit

Screws & Screw Cover Caps

**SKU**

SCREW INST 2.5 BX100

QUANTITY

Box of 100

COVER CAP TAN

Bag of 50

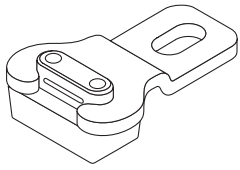
COVER CAP WHT

Bag of 50

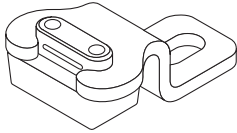
NOTES

- Installation screws are 2½" Phillips square combination drive round washer head
- Cover caps used to conceal head of installation screw

Glass Insert Clips



CLIP DGI 1/8



CLIP DGI 5/16

SKU

CLIP DGI 1/8

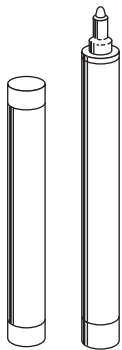
CLIP DGI 5/16

NOTES

- For installation of customer supplied glass or Decorative Glass Inserts
- Order one bag (six clips) per door

GLASS INSERT	CLIP DGI 1/8	CLIP DGI 5/16
CLEAR	•	
DERBYSHIRE		•
FROSTED	•	
MEREDITH	•	
RIBBED	•	

Putty Stick & Touch Up Marker



SKU

PUTTY STICK INTERIOR

PUTTY STICK EXT QTY1

PUTTY STICK EXT QTY2

TU MARKER INTERIOR

TU MARKER EXT QTY1

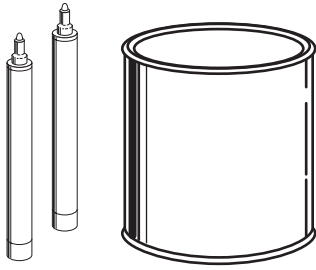
TU MARKER EXT QTY2

NOTES

- Indicate door style when ordering
- Refer to chart to order correct QTY
- Putty Stick – for filling minor dents, gouges and scratches made during or after installation
- Touch Up Marker – adds color to minor surface scratches

DOOR STYLE	PUTTY STICK	TU MARKER
ANNSCROFT	PUTTY STICK EXT QTY1	TU MARKER EXT QTY2
AVELEY	PUTTY STICK EXT QTY2	TU MARKER EXT QTY2
BICKERSHIRE	PUTTY STICK EXT QTY1	TU MARKER EXT QTY2
BRAMBLETON	PUTTY STICK EXT QTY1	TU MARKER EXT QTY2
DAWLEY	PUTTY STICK EXT QTY2	TU MARKER EXT QTY2
PATTINGHAM	PUTTY STICK EXT QTY1	TU MARKER EXT QTY1
PORT	PUTTY STICK EXT QTY1	TU MARKER EXT QTY1
STONEWALL	PUTTY STICK EXT QTY1	TU MARKER EXT QTY1
TENLEY	PUTTY STICK EXT QTY1	TU MARKER EXT QTY1
TUCKHILL	PUTTY STICK EXT QTY1	TU MARKER EXT QTY2

Stain



SKU

STAIN PINT

STAIN QUART

STAIN GLAZED PINT

STAIN GLAZED QUART

STAIN GLAZED PENS

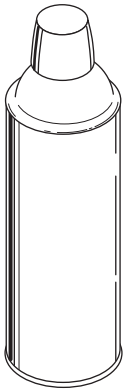
STAIN TOP COAT PINT

STAIN TOP COAT QUART

NOTES

- STAIN PINT (QUART) for use on AVELEY, DAWLEY, PATTINGHAM, PORT, STONEWALL and TENLEY
- STAIN GLAZED PINT (QUART) for use on ANNSCROFT, BICKERSHIRE, BRAMBLETON and TUCKHILL
- **STAIN TOP COAT strongly recommended for application over ALL finishes (order separately)**
- STAIN GLAZED includes STAIN PINT and two STAIN GLAZED PENS per pint
- STAIN GLAZED PENS available for order separately (quantity of two)
- Indicate door style when ordering
- PINT covers approximately 40 square feet
- QUART covers approximately 80 square feet
- Instructions included

Spray Stain



SKU

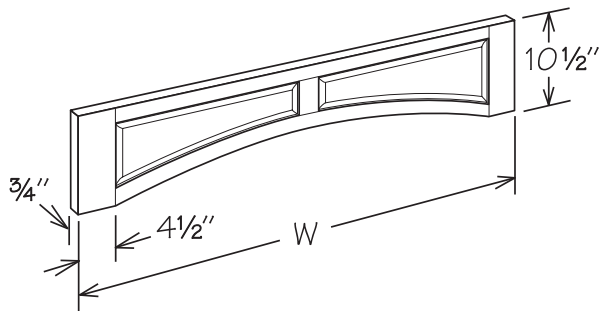
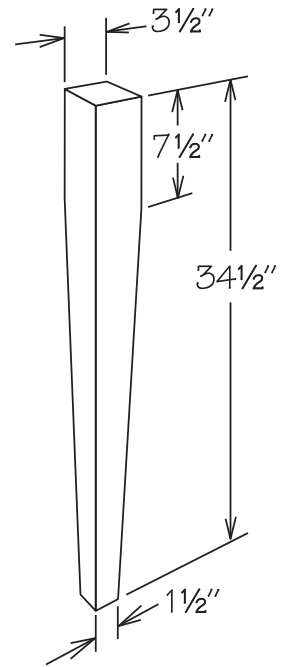
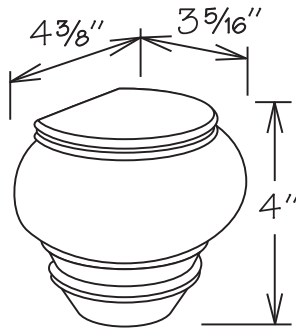
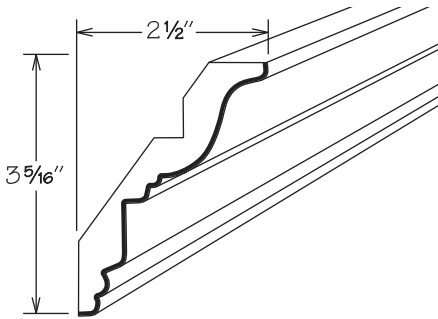
SPRAY STAIN CLEAR

SPRAY STAIN WHITE

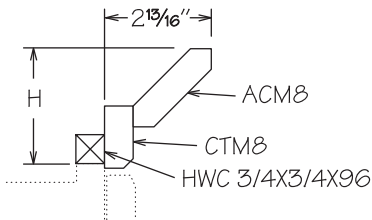
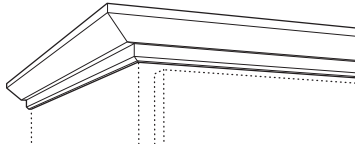
NOTES

- 11 ounce aerosol spray can
- Indicate door style when ordering
- SPRAY STAIN CLEAR for use as top coat for all door styles
- SPRAY STAIN WHITE available for AVELEY, BICKERSHIRE, BRAMBLETON and DAWLEY face frames

moldings and decorative accents



Molding Stack • Modern 100

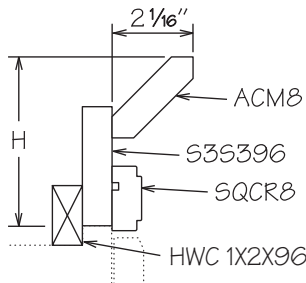
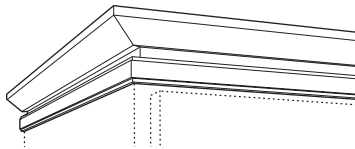
NEW! NOMENCLATURE

SKU	Height Shown	H Minimum	H Maximum
MS MODERN 100	3"	2 3/16"	3"

NOTES

- Height dimensions are the above face frame height when used as shown
- Pre-packaged molding kit includes:
 - ◆ ACM8
 - ◆ CTM8
 - ◆ HWC 3/4X3/4X96
- Molding Stack shipped unassembled
- Molding Stacks to be cut, assembled and field installed at job site
- Only one finish can be specified per Molding Stack
- Molding Stack diagram included
- Refer to specifications on individual moldings included in molding stack

Molding Stack • Modern 200

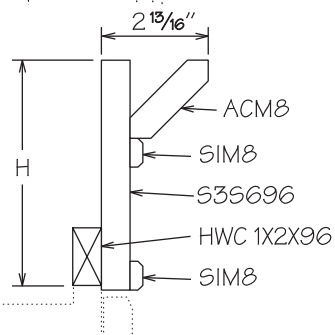
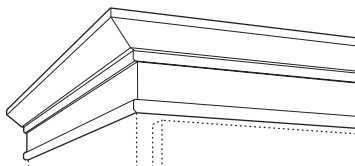
NEW! NOMENCLATURE

SKU	Height Shown	H Minimum	H Maximum
MS MODERN 200	4 1/4"	3 9/16"	4 1/2"

NOTES

- Height dimensions are the above face frame height when used as shown
- Pre-packaged molding kit includes:
 - ◆ ACM8
 - ◆ S3S396
 - ◆ SQCR8
 - ◆ HWC 1X2X96
- Molding Stack shipped unassembled
- Molding Stacks to be cut, assembled and field installed at job site
- Only one finish can be specified per Molding Stack
- Molding Stack diagram included
- Refer to specifications on individual moldings included in molding stack

Molding Stack • Modern 300

NEW! NOMENCLATURE

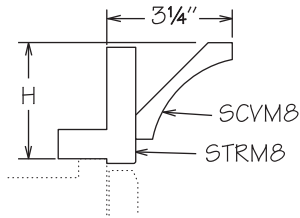
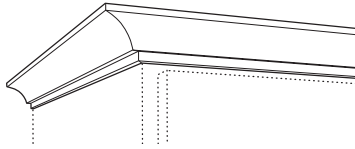
SKU	Height Shown	H Minimum	H Maximum
MS MODERN 300	5 7/8"	5 7/8"	7 3/8"

NOTES

- Height dimensions are the above face frame height when used as shown
- Pre-packaged molding kit includes:
 - ◆ ACM8
 - ◆ SIM8 (2)
 - ◆ S3S696
 - ◆ HWC 1X2X96
- Molding Stack shipped unassembled
- Molding Stacks to be cut, assembled and field installed at job site
- Only one finish can be specified per Molding Stack
- Molding Stack diagram included
- Refer to specifications on individual moldings included in molding stack

Molding Stack • Transitional 100

NEW! NOMENCLATURE



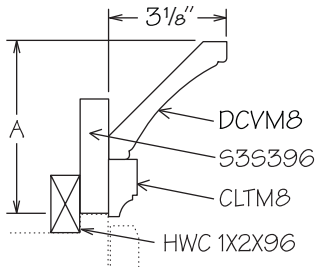
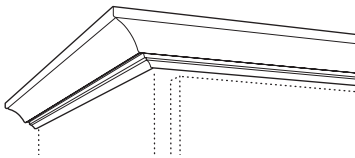
SKU	Height Shown	H Minimum	H Maximum
MS TRANSITIONAL 100	3"	2 7/8"	4 3/4"

NOTES

- Height dimensions are the above face frame height when used as shown
- Pre-packaged molding kit includes:
 - ◆ SCVM8
 - ◆ STRM8
- Molding Stack shipped unassembled
- Molding Stacks to be cut, assembled and field installed at job site
- Only one finish can be specified per Molding Stack
- Molding Stack diagram included
- Refer to specifications on individual moldings included in molding stack

Molding Stack • Transitional 200

NEW! PRODUCT



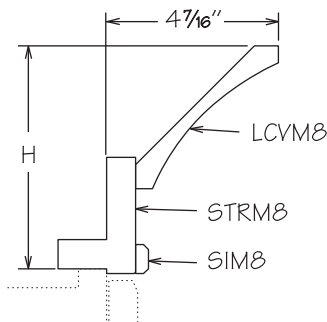
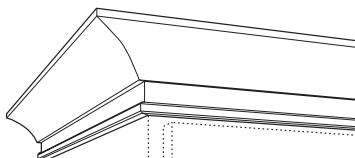
SKU	Height Shown	H Minimum	H Maximum
MS TRANSITIONAL 200	4 1/2"	4 1/2"	5 1/2"

NOTES

- Height dimension is the above-face-frame height when used as shown
- Pre-packaged molding kit includes:
 - ◆ DCVM8
 - ◆ CLTM8
 - ◆ S35396
 - ◆ HWC1X2X96
- Molding Stacks shipped unassembled
- Molding Stacks to be cut, assembled and field installed at job site
- Only one finish can be specified per Molding Stack
- Molding Stack diagram included
- Refer to specifications on individual molding included in molding stack

Molding Stack • Transitional 300

NEW! NOMENCLATURE

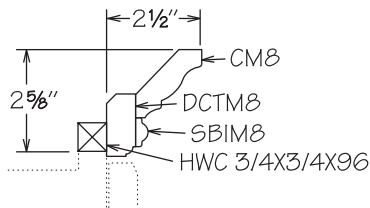
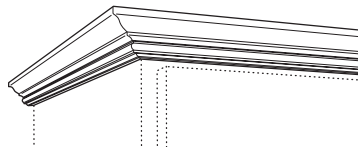


SKU	Height Shown	H Minimum	H Maximum
MS TRANSITIONAL 300	5 3/4"	4 5/16"	5 15/16"

NOTES

- Height dimensions are the above face frame height when used as shown
- Pre-packaged molding kit includes:
 - ◆ LCVMB
 - ◆ STRMB
 - ◆ SIMB
- Molding Stack shipped unassembled
- Molding Stacks to be cut, assembled and field installed at job site
- Only one finish can be specified per Molding Stack
- Molding Stack diagram included
- Refer to specifications on individual moldings included in molding stack

Molding Stack • Classic 100

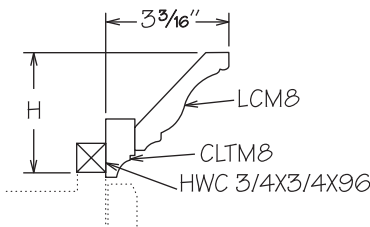
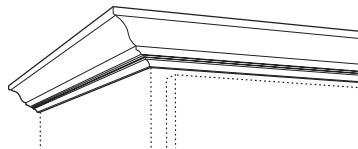
NEW! NOMENCLATURE**SKU**

MS CLASSIC 100

NOTES

- Height dimension is the above-face-frame height when used as shown
- Pre-packaged molding kit includes:
 - ✦ CM8
 - ✦ DCTM8
 - ✦ SBIM8
 - ✦ HWC 3/4X3/4X96
- Molding Stack shipped unassembled
- Molding Stacks to be cut, assembled and field installed at job site
- Only one finish can be specified per Molding Stack
- Molding Stack diagram included
- Refer to specifications on individual moldings included in molding stack

Molding Stack • Classic 200

NEW! NOMENCLATURE**SKU**

MS CLASSIC 200

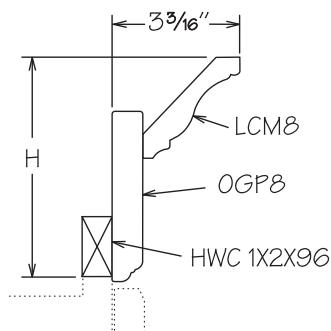
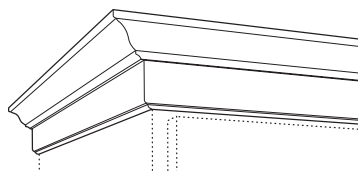
Height
ShownH
MinimumH
Maximum

3 1/16" 2 15/16" 3 5/16"

NOTES

- Height dimensions are the above face frame height when used as shown
- Pre-packaged molding kit includes:
 - ✦ LCM8
 - ✦ CLTM8
 - ✦ HWC 3/4X3/4X96
- Molding Stack shipped unassembled
- Molding Stacks to be cut, assembled and field installed at job site
- Only one finish can be specified per Molding Stack
- Molding Stack diagram included
- Refer to specifications on individual moldings included in molding stack

Molding Stack • Classic 300

NEW! NOMENCLATURE**SKU**

MS CLASSIC 300

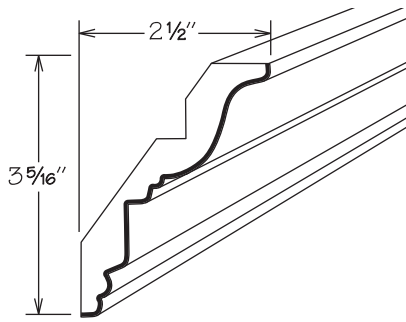
Height
ShownH
MinimumH
Maximum

5 1/2" 4 1/8" 6"

NOTES

- Height dimensions are the above face frame height when used as shown
- Pre-packaged molding kit includes:
 - ✦ LCM8
 - ✦ OGP8
 - ✦ HWC 1X2X96
- Molding Stack shipped unassembled
- Molding Stacks to be cut, assembled and field installed at job site
- Only one finish can be specified per Molding Stack
- Molding Stack diagram included
- Refer to specifications on individual moldings included in molding stack

Traditional Classic Crown Molding

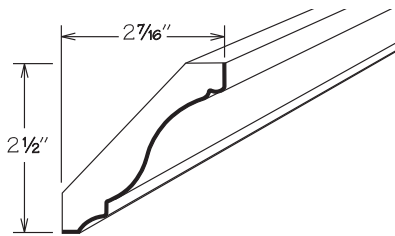
NEW! NOMENCLATURE

SKU
TCCM8

NOTES

- Features solid wood finished to match cabinet exterior
- May use SBIM8 or SIM8 as accent
- 8 feet long
- Bold line in illustration indicates finished surfaces

Large Crown Molding

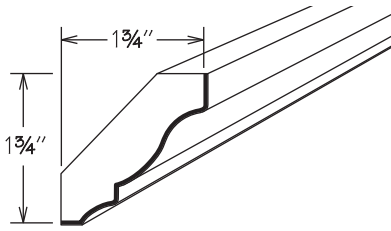
NEW! NOMENCLATURE

SKU
LCM8

NOTES

- Features solid wood finished to match cabinet exterior
- 8 feet long
- Bold line in illustration indicates finished surfaces

Crown Molding

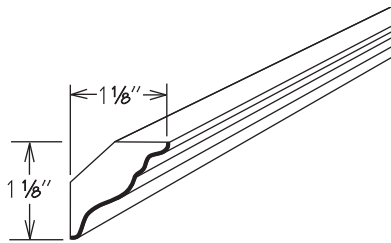
NEW! NOMENCLATURE**SKU**

CM8

NOTES

- Features solid wood finished to match cabinet exterior
- 8 feet long
- Bold line in illustration indicates finished surfaces

Soffit Crown Molding

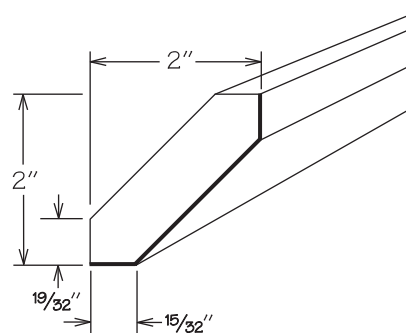
NEW! NOMENCLATURE**SKU**

SCM8

NOTES

- Features solid wood finished to match cabinet exterior
- 8 feet long
- Bold line in illustration indicates finished surfaces

Angle Crown Molding

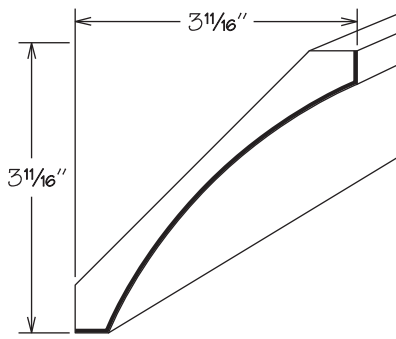
**SKU**

ACM8

NOTES

- Features solid wood finished to match cabinet exterior
- 8 feet long
- Bold line in illustration indicates finished surfaces

Large Cove Molding

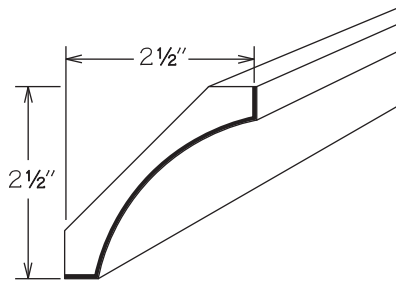


SKU
LCVM8

NOTES

- Features solid wood finished to match cabinet exterior
- 8 feet long
- Bold line in illustration indicates finished surfaces

Small Cove Molding



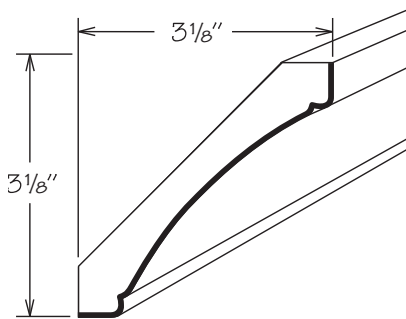
SKU
SCVM8

NOTES

- Features solid wood finished to match cabinet exterior
- 8 feet long
- Bold line in illustration indicates finished surfaces

Decorative Cove Molding

NEW! PRODUCT

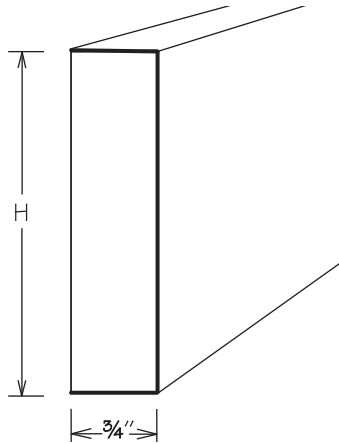


SKU
DCVM8

NOTES

- Features solid wood finished to match cabinet exterior
- 8 feet long
- Bold line in illustration indicates finished surfaces

3-Sided Stock



SKU

S3S396

H

3"

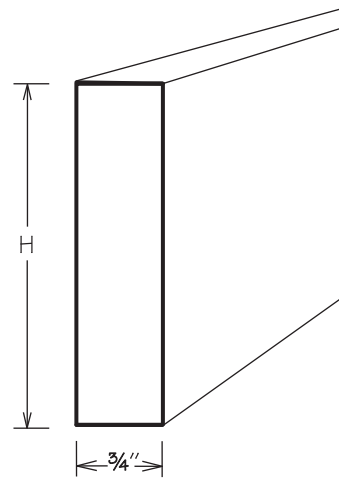
S3S696

6"

NOTES

- Features solid wood finished to match cabinet exterior
- 8 feet long
- May be used in vertical applications, (i.e. as a filler)
- May be used in horizontal applications, (i.e. S3S696 field trimmed as furniture toe)
- Bold line in illustration indicates finished surfaces

4-Sided Stock



SKU

S4S396

H

3"

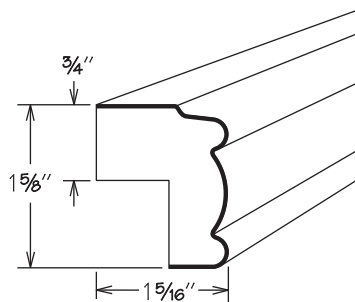
S4S696

6"

NOTES

- Features solid wood finished to match cabinet exterior
- 8 feet long
- May be used in vertical applications, (i.e. as a filler)
- May be used in horizontal applications, (i.e. S4S696 field trimmed as furniture toe)
- Bold line in illustration indicates finished surfaces

Small Traditional Light Rail Molding



SKU

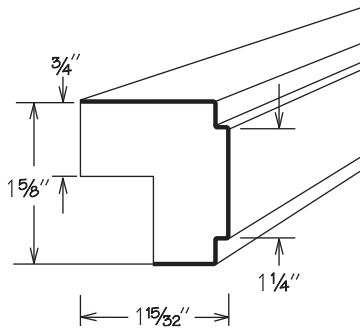
STLR8

NOTES

- Features solid wood finished to match cabinet exterior
- 8 feet long
- Bold line in illustration indicates finished surfaces

Square Light Rail Molding

NEW! NOMENCLATURE



SKU

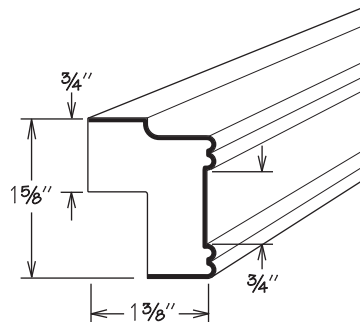
SQLR8

NOTES

- Features solid wood finished to match cabinet exterior
- 8 feet long
- Bold line in illustration indicates finished surfaces

Inset Light Rail Molding

NEW! NOMENCLATURE



SKU

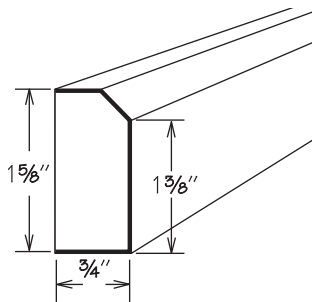
ILR8

NOTES

- Features solid wood finished to match cabinet exterior
- May use SBIM8 or SIM8 as accent
- 8 feet long
- Bold line in illustration indicates finished surfaces

Contemporary Trim Molding

NEW! NOMENCLATURE



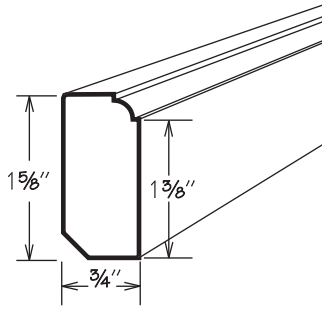
SKU

CTM8

NOTES

- Features solid wood finished to match cabinet exterior
- 8 feet long
- Bold line in illustration indicates finished surfaces
- Can be used as light rail molding

Decorative Trim Molding

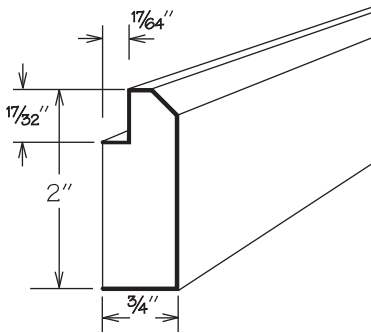
**SKU**

DCTM8

NOTES

- Features solid wood finished to match cabinet exterior
- 8 feet long
- Bold line in illustration indicates finished surfaces
- Can be used as light rail molding

Shaker Mirror Molding

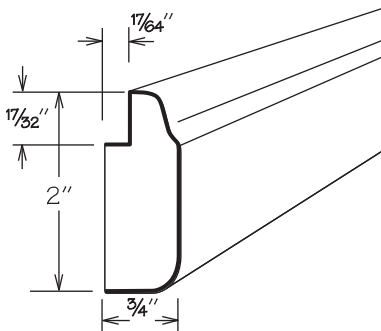
**SKU**

SMM8

NOTES

- Features solid wood finished to match cabinet exterior
- 8 feet long
- Bold line in illustration indicates finished surfaces

Mirror Molding

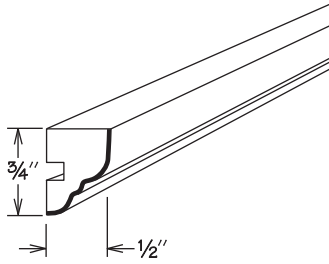
**SKU**

MM8

NOTES

- Features solid wood finished to match cabinet exterior
- 8 feet long
- Bold line in illustration indicates finished surfaces

Ogee Molding



SKU

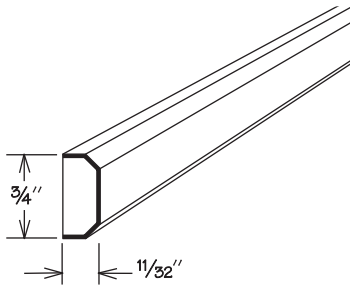
OGE8

NOTES

- Features solid wood finished to match cabinet exterior
- 8 feet long
- Bold line in illustration indicates finished surfaces

Shaker Insert Molding

NEW! NOMENCLATURE



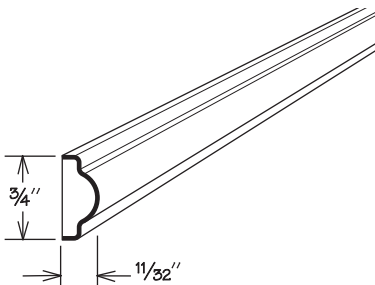
SKU

SIM8

NOTES

- Features solid wood finished to match cabinet exterior
- 8 feet long
- Bold line in illustration indicates finished surfaces

Single Bead Insert Molding



SKU

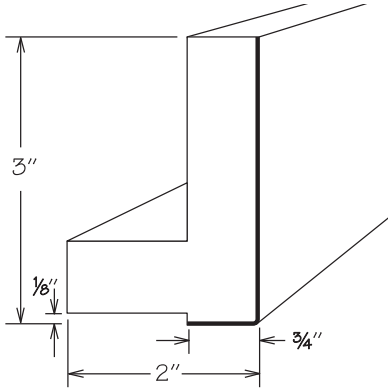
SBIM8

NOTES

- Features solid wood finished to match cabinet exterior
- 8 feet long
- Bold line in illustration indicates finished surfaces

moldings and decorative accents

Starter Molding



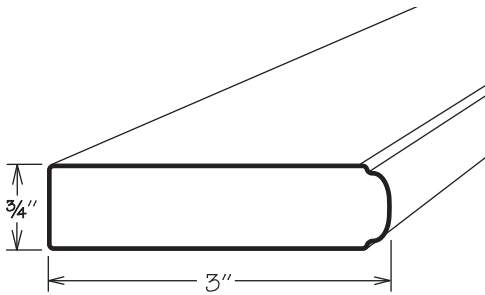
SKU

STRM8

NOTES

- Features solid wood finished to match cabinet exterior
- 8 feet long
- Bold line in illustration indicates finished surfaces

Single Bead Molding



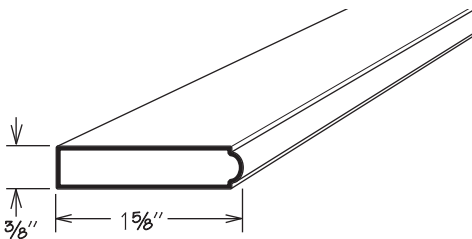
SKU

SBM8

NOTES

- Features solid wood finished to match cabinet exterior
- 8 feet long
- Bold line in illustration indicates finished surfaces

Small Single Bead Molding



SKU

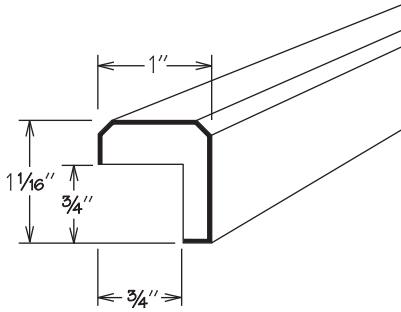
SSBM8

NOTES

- Features solid wood finished to match cabinet exterior
- 8 feet long
- Bold line in illustration indicates finished surfaces

Shaker Accent Molding

NEW! NOMENCLATURE



SKU

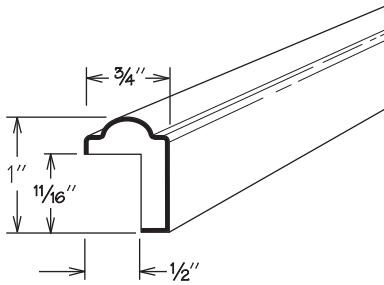
SAM8

NOTES

- Features solid wood finished to match cabinet exterior
- May be used as accent on Wall China, Wine Storage and Base Microwave cabinets
- 8 feet long
- Bold line in illustration indicates finished surfaces

Single Bead Accent Molding

NEW! NOMENCLATURE



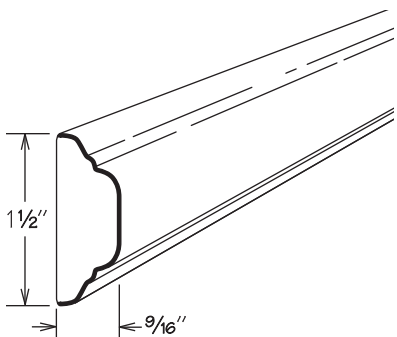
SKU

SBAM8

NOTES

- Features solid wood finished to match cabinet exterior
- May be used as accent on Wall China, Wine Storage and Base Microwave cabinets
- 8 feet long
- Bold line in illustration indicates finished surfaces

Chair Rail Molding



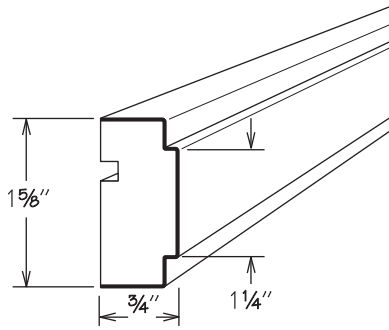
SKU

CR8

NOTES

- Features solid wood finished to match cabinet exterior
- 8 feet long
- Bold line in illustration indicates finished surfaces

Square Chair Rail Molding



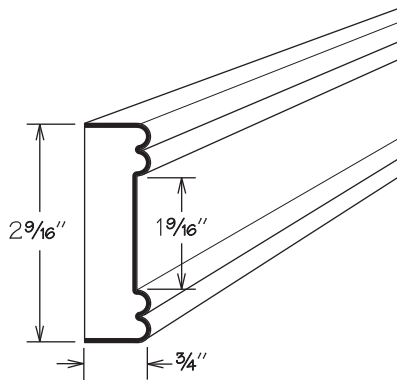
SKU

SQCR8

NOTES

- Features solid wood finished to match cabinet exterior
- 8 feet long
- Bold line in illustration indicates finished surfaces

Library Molding



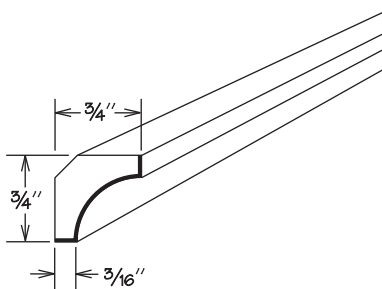
SKU

LBM8

NOTES

- Features solid wood finished to match cabinet exterior
- 8 feet long
- Bold line in illustration indicates finished surfaces

Inside Corner Molding



SKU

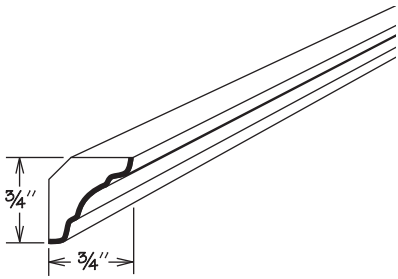
QM8

NOTES

- Features solid wood finished to match cabinet exterior
- 8 feet long
- Bold line in illustration indicates finished surfaces

NEW! NOMENCLATURE

Decorative Inside Corner Molding



SKU

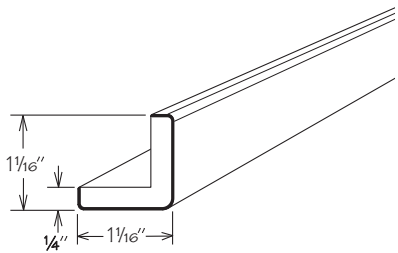
ICM8

NOTES

- Features solid wood finished to match cabinet exterior
- 8 feet long
- Bold line in illustration indicates finished surfaces

Outside Corner Molding

NEW! PRODUCT



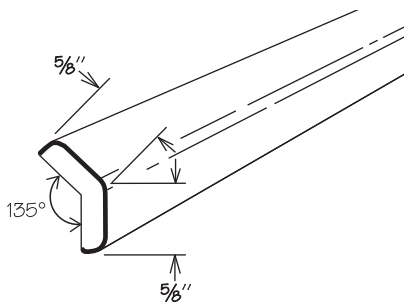
SKU

OTCM8

NOTES

- Features solid wood finished to match cabinet exterior
- 8 feet long
- Bold line in illustration indicates finished surfaces

Angled Outside Corner Molding



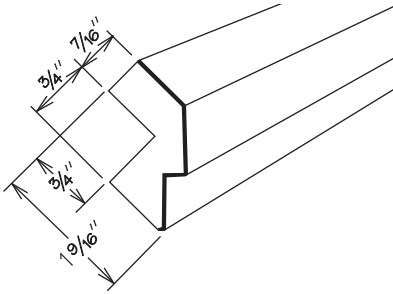
SKU

AOSC8

NOTES

- Features solid wood finished to match cabinet exterior
- 8 feet long
- Bold line in illustration indicates finished surfaces

Cabinet Angle Molding

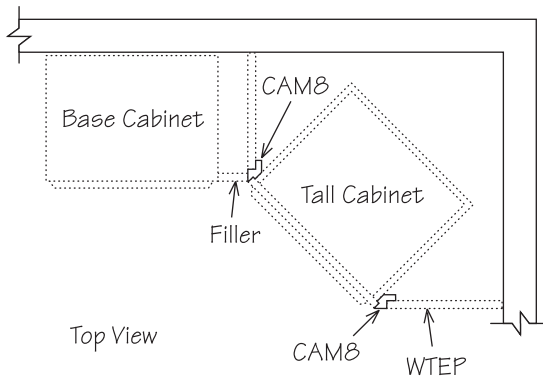


SKU

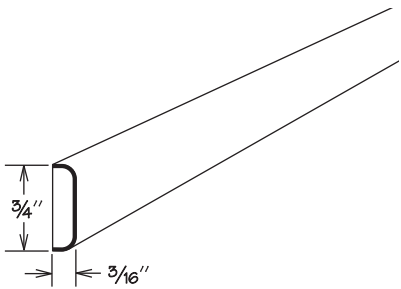
CAM8

NOTES

- Features solid wood finished to match cabinet exterior
- Used in corner application to place cabinet at 45 degree angle
- **Cannot be installed on cabinets with the Furniture Ends Option**
- 8 feet long
- Bold line in illustration indicates finished surfaces



Batten Molding



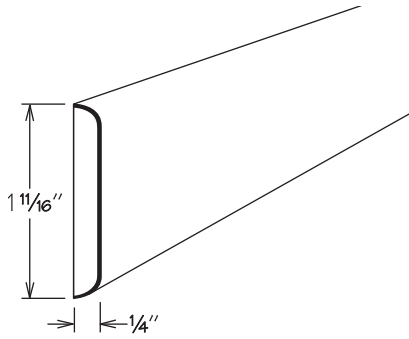
SKU

BM8

NOTES

- Features solid wood finished to match cabinet exterior
- 8 feet long
- Bold line in illustration indicates finished surfaces

Wide Batten Molding



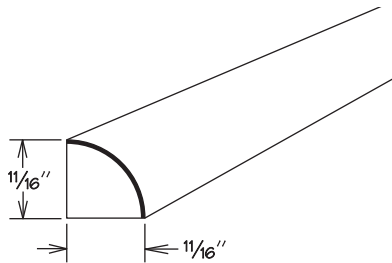
SKU

WBM8

NOTES

- Features solid wood finished to match cabinet exterior
- 8 feet long
- Bold line in illustration indicates finished surfaces

Quarter Round Molding



SKU

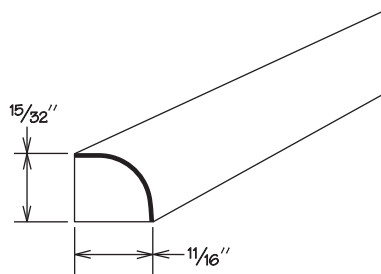
QR8

NOTES

- Features solid wood finished to match cabinet exterior
- 8 feet long
- Bold line in illustration indicates finished surfaces

Shoe Molding

NEW! PRODUCT



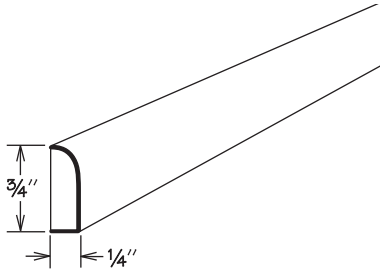
SKU

SHM8

NOTES

- Features solid wood finished to match cabinet box exterior
- 8 feet long

Scribe Molding

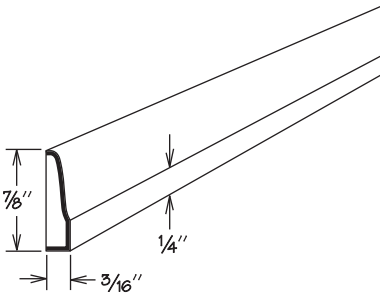
NEW! NOMENCLATURE**SKU**

SM8

NOTES

- Features solid wood finished to match cabinet exterior
- 8 feet long
- Bold line in illustration indicates finished surfaces

Straight Trim Molding

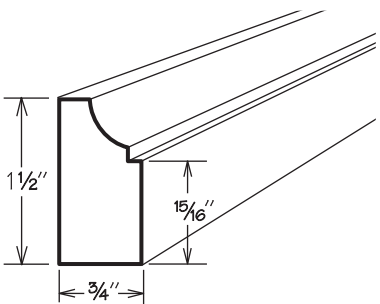
NEW! NOMENCLATURE**SKU**

UM8

NOTES

- Features solid wood finished to match cabinet exterior
- 8 feet long
- Bold line in illustration indicates finished surfaces

Classic Trim Molding

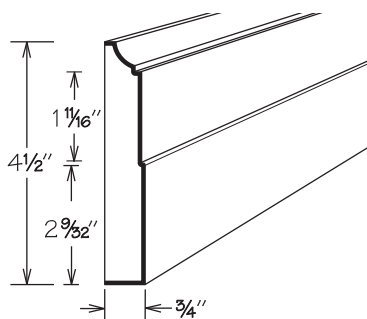
**SKU**

CLTM8

NOTES

- Features solid wood finished to match cabinet exterior
- 8 feet long
- Bold line in illustration indicates finished surfaces

Classic Baseboard Molding



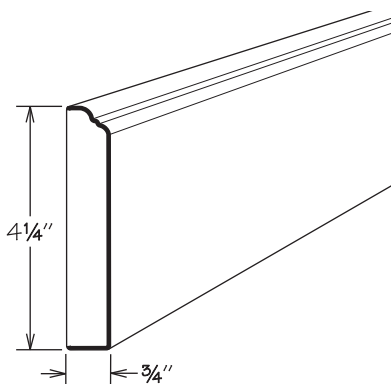
SKU

CLBM8

NOTES

- Features solid wood finished to match cabinet exterior
- For use in furniture toe or top molding applications
- 8 feet long
- Bold line in illustration indicates finished surfaces

Ogee Pilaster Molding



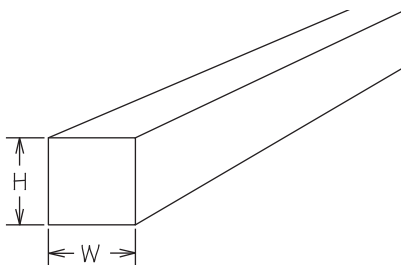
SKU

OGP8

NOTES

- Features solid wood finished to match cabinet exterior
- For use in furniture toe or top molding applications
- 8 feet long
- Bold line in illustration indicates finished surfaces

Cleat



SKU

HWC 1/2X1/2X96
 HWC 3/4X3/4X96
 HWC 1X2X96
 HWC 2X4X96

W

1/2"
 3/4"
 1"
 2"

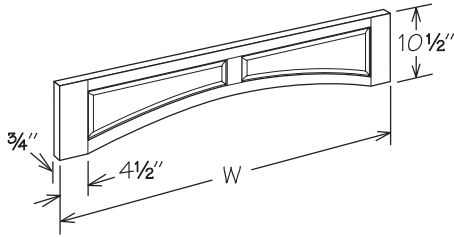
H

1/2"
 3/4"
 2"
 4"

NOTES

- Unfinished
- HWC 1/2X1/2X96 and HWC 3/4X3/4X96 are shipped in two 48" long pieces

Raised Panel Arched Valance

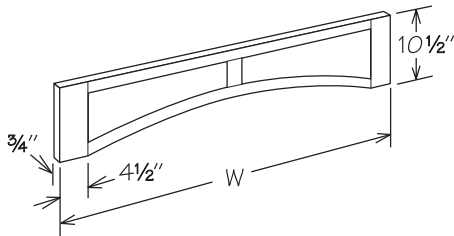


SKU	W	Maximum Trim (3" Each End)	Number of Panels
V36 RP	36"	30"	2
V42 RP	42"	36"	2
V48 RP	48"	42"	2
V54 RP	54"	48"	3
V60 RP	60"	54"	3
V66 RP	66"	60"	3
V72 RP	72"	66"	3

NOTES

- Features solid wood finished to match cabinet exterior
- Field trimmable
- Maximum allowable trim is 3" from each end
- Dimension from height of arch to top of valance is 8 1/2"

Flat Panel Arched Valance

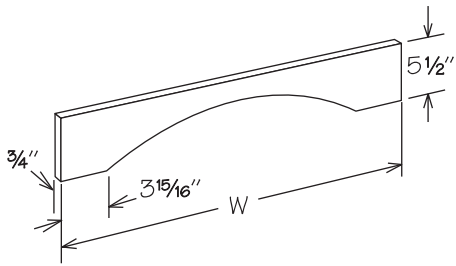


SKU	W	Maximum Trim (3" Each End)	Number of Panels
V36 FP	36"	30"	2
V42 FP	42"	36"	2
V48 FP	48"	42"	2
V54 FP	54"	48"	3
V60 FP	60"	54"	3
V66 FP	66"	60"	3
V72 FP	72"	66"	3

NOTES

- Features solid wood finished to match cabinet exterior
- Field trimmable
- Maximum allowable trim is 3" from each end
- Dimension from height of arch to top of valance is 8 1/2"

Shaker Valance

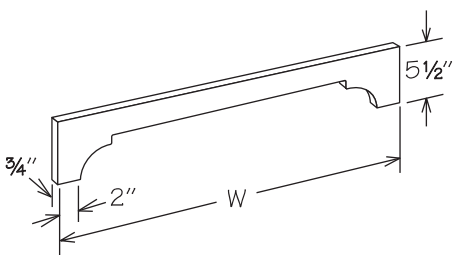


SKU	W	Maximum Trim
V30 SH	30 1/4"	24 1/4"
V36 SH	36 1/4"	30 1/4"
V42 SH	42 1/4"	36 1/4"
V48 SH	48 1/4"	42 1/4"
V60 SH	60 1/4"	54 1/4"
V72 SH	72 1/4"	66 1/4"

NOTES

- Features solid wood finished to match cabinet exterior
- Field trimmable
- Maximum allowable trim is 3" from each end
- Dimension from height of arch to top of valance is 2 1/4"

Crown Valance

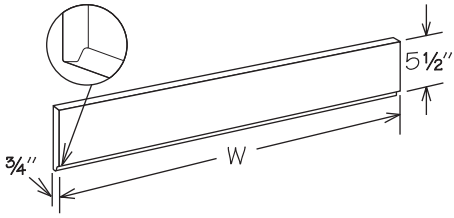


SKU	W	Maximum Trim
V30 CR	30 1/4"	27 1/4"
V36 CR	36 1/4"	33 1/4"
V42 CR	42 1/4"	39 1/4"
V48 CR	48 1/4"	45 1/4"
V60 CR	60 1/4"	57 1/4"
V72 CR	72 1/4"	69 1/4"

NOTES

- Features solid wood finished to match cabinet exterior
- Field trimmable
- Maximum allowable trim is 1 1/2" from each end
- Dimension from height of arch to top of valance is 2 1/4"

Traditional Valance

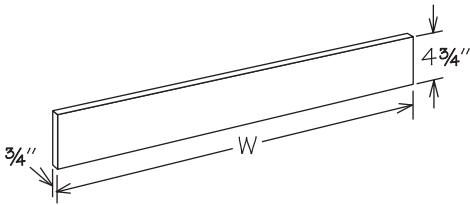


SKU	W
V36 T	36 1/4"
V72 T	72 1/4"
V96 T	96 1/4"

NOTES

- Features solid wood finished to match cabinet exterior
- Field trimmable

Straight Valance

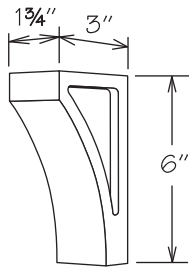


SKU	W
V48 S	48 1/4"
V72 S	72 1/4"

NOTES

- Features solid wood finished to match cabinet exterior
- Field trimmable

Small Narrow Cove Corbel



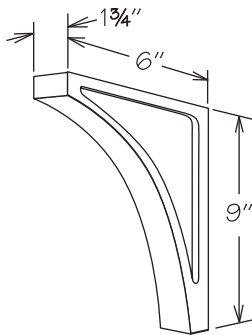
SKU

CC26

NOTES

- Carved solid wood finished to match cabinet exterior
- Recessed mounting clips included
- For decorative use only
- Designed to complement the Parker legs and foot

Medium Narrow Cove Corbel



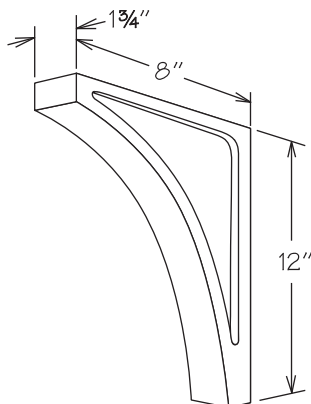
SKU

CC29

NOTES

- Carved solid wood finished to match cabinet exterior
- Recessed mounting clips included
- For decorative use only
- Designed to complement the Parker legs and foot

Large Narrow Cove Corbel



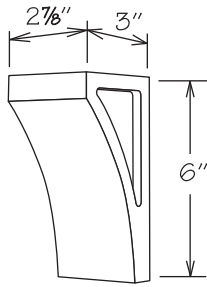
SKU

CC212

NOTES

- Carved solid wood finished to match cabinet exterior
- Recessed mounting clips included
- For decorative use only
- Designed to complement the Parker legs and foot

Small Cove Corbel



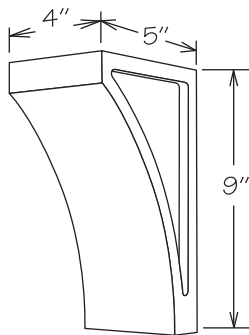
SKU

CC36

NOTES

- Carved solid wood finished to match cabinet exterior
- Recessed mounting clips included
- For decorative use only
- Designed to complement the Parker legs and foot

Medium Cove Corbel



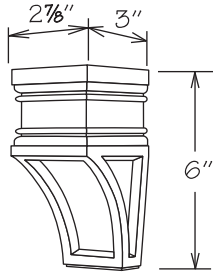
SKU

CC49

NOTES

- Carved solid wood finished to match cabinet exterior
- Recessed mounting clips included
- For decorative use only
- Designed to complement the Parker legs and foot

Small Valencia Corbel



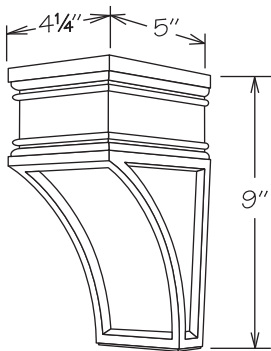
SKU

VC36

NOTES

- Carved solid wood finished to match cabinet exterior
- Recessed mounting clips included
- For decorative use only

Medium Valencia Corbel



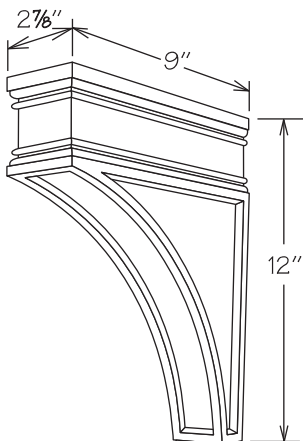
SKU

VC49

NOTES

- Carved solid wood finished to match cabinet exterior
- Recessed mounting clips included
- For decorative use only

Large Valencia Corbel



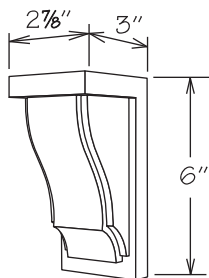
SKU

VC312

NOTES

- Carved solid wood finished to match cabinet exterior
- Recessed mounting clips included
- For decorative use only

Small Finley Corbel



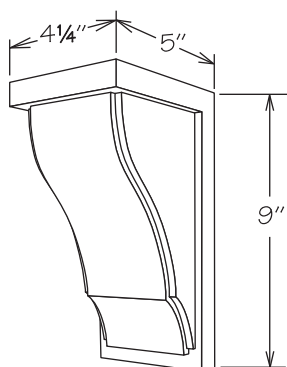
SKU

FC36

NOTES

- Carved solid wood finished to match cabinet exterior
- Recessed mounting clips included
- For decorative use only

Medium Finley Corbel



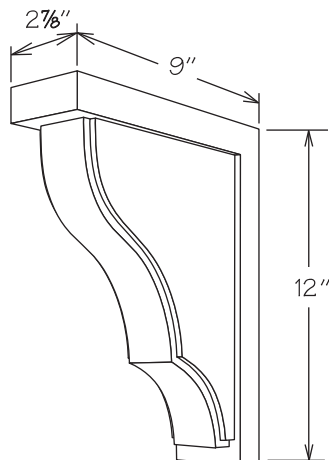
SKU

FC49

NOTES

- Carved solid wood finished to match cabinet exterior
- Recessed mounting clips included
- For decorative use only

Large Finley Corbel



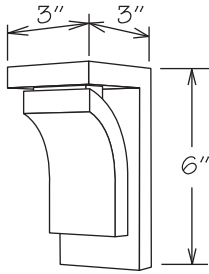
SKU

FC312

NOTES

- Carved solid wood finished to match cabinet exterior
- Recessed mounting clips included
- For decorative use only

Small Prairie Corbel



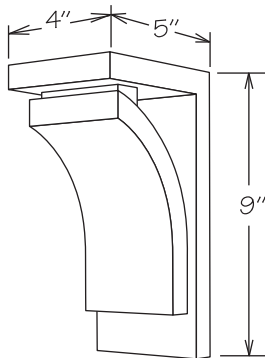
SKU

PC36

NOTES

- Carved solid wood finished to match cabinet exterior
- Recessed mounting clips included
- For decorative use only
- Designed to complement the Parker legs and foot

Medium Prairie Corbel



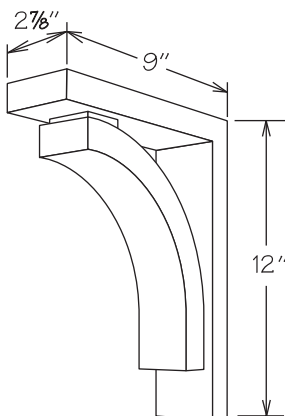
SKU

PC49

NOTES

- Carved solid wood finished to match cabinet exterior
- Recessed mounting clips included
- For decorative use only
- Designed to complement the Parker legs and foot

Large Prairie Corbel



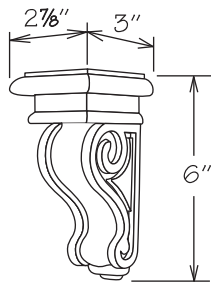
SKU

PC312

NOTES

- Carved solid wood finished to match cabinet exterior
- Recessed mounting clips included
- For decorative use only
- Designed to complement the Parker legs and foot

Small Rosette Corbel



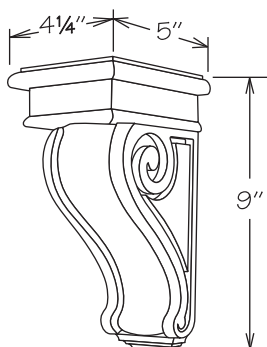
SKU

RC36

NOTES

- Carved solid wood finished to match cabinet exterior
- Recessed mounting clips included
- For decorative use only
- Designed to complement the Chantilly legs and foot

Medium Rosette Corbel



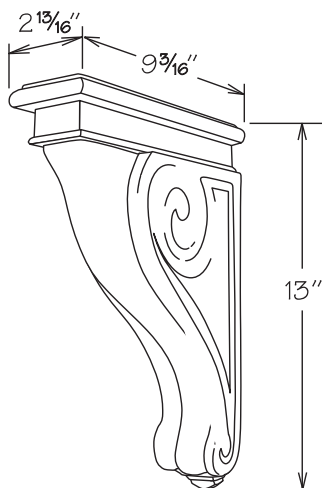
SKU

RC49

NOTES

- Carved solid wood finished to match cabinet exterior
- Recessed mounting clips included
- For decorative use only
- Designed to complement the Chantilly legs and foot

Large Rosette Corbel



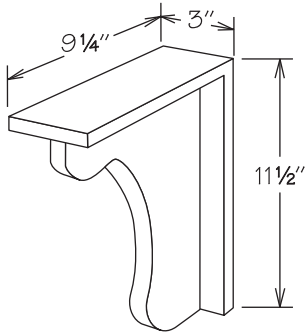
SKU

RC313

NOTES

- Carved solid wood finished to match cabinet exterior
- Recessed mounting clips included
- For decorative use only
- Designed to complement the Chantilly legs and foot

Curved Corbel



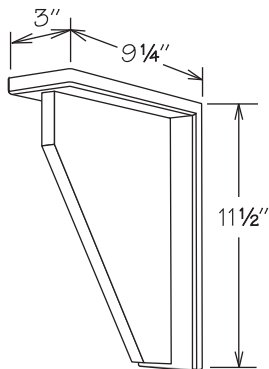
SKU

CS12

NOTES

- Features 5/8" solid wood finished to match cabinet exterior
- For decorative use only

Angled Corbel



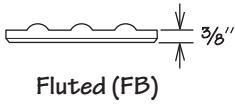
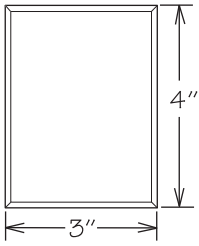
SKU

AS12

NOTES

- Features 5/8" solid wood finished to match cabinet exterior
- For decorative use only

Plinth Block 3"

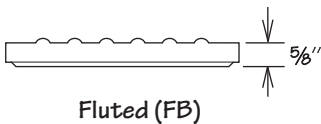
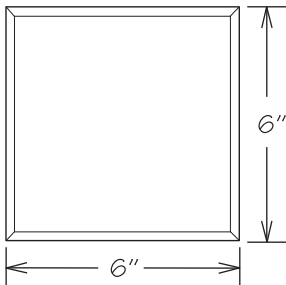
**SKU**

FB3X4 PLINTH

NOTES

- Solid wood finished to match cabinet exterior
- Apply to FLUTED side of 3" Fluted Beaded Filler or Filler Extension, or to Fluted Column Filler

Plinth Block 6"

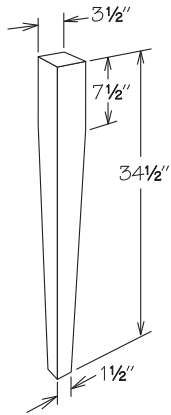
**SKU**

FB6X6 PLINTH

NOTES

- Solid wood finished to match cabinet exterior
- Apply to FLUTED side of 6" Fluted Beaded Filler

Base Tapered Leg



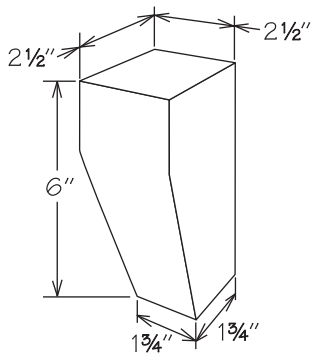
SKU

BTPL

NOTES

- Solid wood finished to match cabinet exterior
- Tapered all four sides
- Field trimmable

Tapered Foot



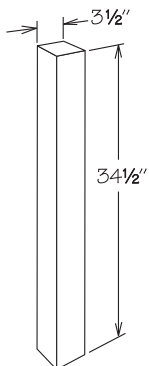
SKU

TPF

NOTES

- Solid wood finished to match cabinet exterior
- Tapered on two sides
- Field trimmable to 4" high

Base Square Leg



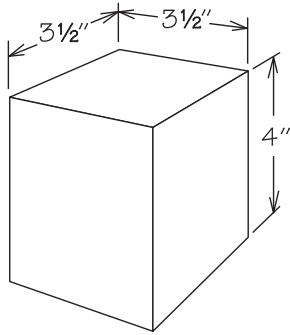
SKU

BSQL

NOTES

- Solid wood finished to match cabinet exterior
- Field trimmable

Base Square Foot

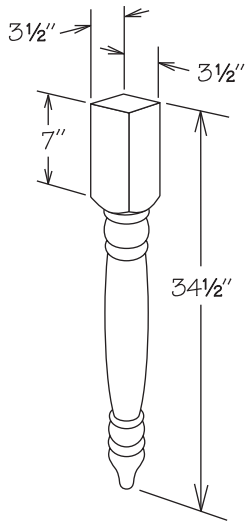
**SKU**

BSQF

NOTES

- Solid wood finished to match cabinet exterior
- Designed as toe kick accent

Base Turned Leg

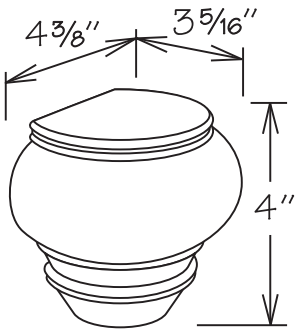
**SKU**

BTL

NOTES

- Solid wood finished to match cabinet exterior
- Field trimmable to 28 1/2" high

Accent Turned Foot



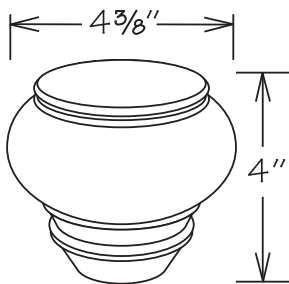
SKU

ATF

NOTES

- Solid wood finished to match cabinet exterior
- Designed as toe kick accent

Accent Turned Foot • Full Round



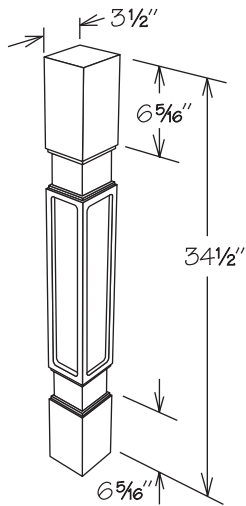
SKU

ATF-FR

NOTES

- Solid wood finished to match cabinet exterior
- Designed as toe kick accent

Parker Decorative Leg



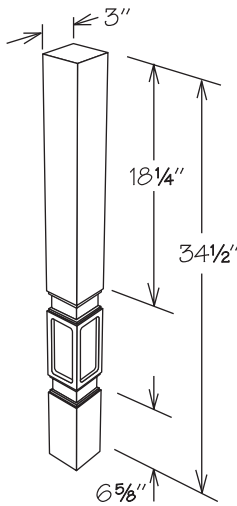
SKU

PDL

NOTES

- Solid Wood finished to match cabinet exterior
- Field trimmable
- Designed to complement the Prairie or Cove corbels

Parker Furniture Leg



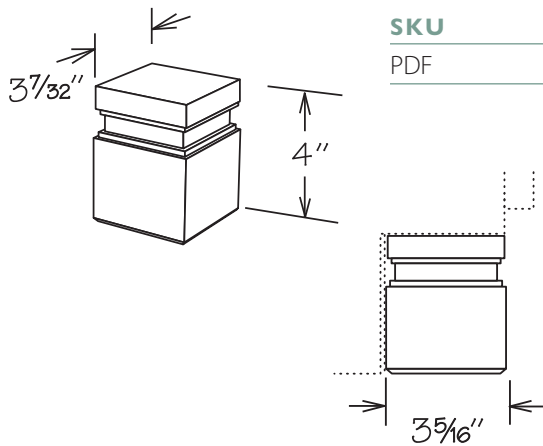
SKU

PFL

NOTES

- Solid Wood finished to match cabinet exterior
- Field trimmable
- Designed to complement the Prairie or Cove corbels

Parker Decorative Foot



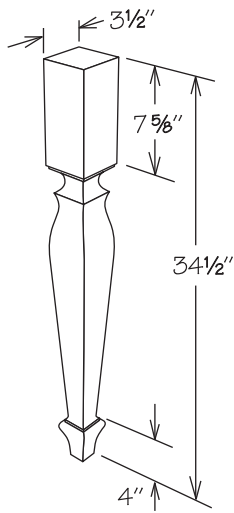
SKU

PDF

NOTES

- Solid Wood finished to match cabinet exterior
- Field trimmable
- Designed as toe kick accent
- Designed to complement the Prairie or Cove corbels

Chantilly Decorative Leg



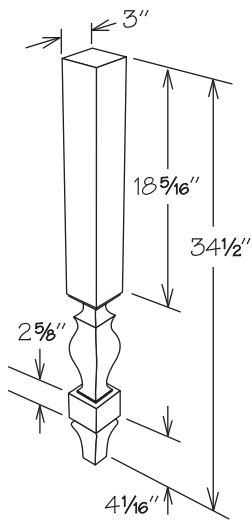
SKU

CDL

NOTES

- Solid Wood finished to match cabinet exterior
- Field trimmable
- Designed to complement the Rosette corbels

Chantilly Furniture Leg



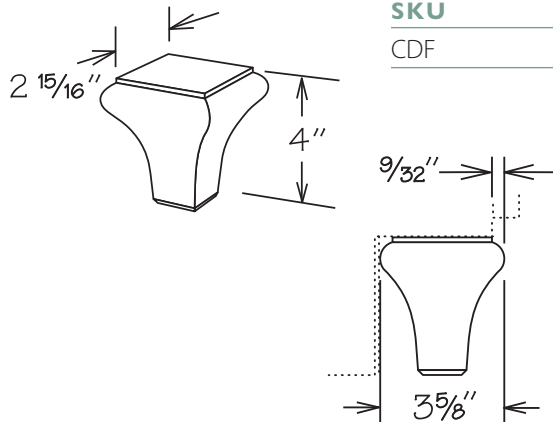
SKU

CFL

NOTES

- Solid Wood finished to match cabinet exterior
- Field trimmable
- Designed to complement the Rosette corbels

Chantilly Decorative Foot



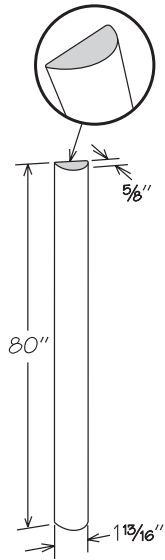
SKU

CDF

NOTES

- Solid Wood finished to match cabinet exterior
- Field trimmable
- Designed as toe kick accent
- Designed to complement the Rosette corbels

Split Post

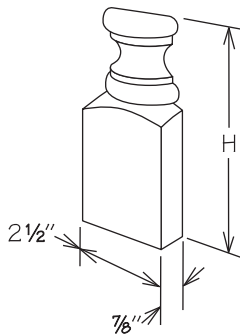
**SKU**

SPLT POST80 P

NOTES

- Solid wood finished to match cabinet exterior
- Field trimmable
- Use with Traditional Split Block to create design element
- Must be mounted to a Universal Filler – order separately

Traditional Split Block

**SKU**

SPLT BLOCK26 T

H

6"

NOTES

- Solid wood finished to match cabinet exterior
- Must be mounted to a Universal Filler – order separately

decorative hardware



RESTRICTIONS

- NR12** Not recommended on 12" drawers
- NR15** Not recommended drawers 15" or less

KEY POINTS

- Knobs and pulls are grouped in three convenient price tiers
- allen + roth Cabinetry does not recommend drilling through any door or drawer front joint for installation of decorative hardware
- Door and drawer fronts must be adjusted before installing decorative hardware
- Select door styles have limitations on certain decorative hardware which are indicated with restriction-specific icons and a list of door style(s) which are restricted.

EXAMPLE

Restriction:

NR12 All Door Styles
NR15 AVELEY, BRAMBLETON, DAWLEY, PORT, STONEWALL, TENLEY, TUCKHILL

Explanation:

This specific hardware is not recommended on 12" drawers for all door styles. Also, this specific hardware is not recommended on drawers 15" or less for the AVELEY, BRAMBLETON, DAWLEY, PORT, STONEWALL, TENLEY and TUCKHILL door styles.

Classic • Tier 1



Classic Pull
Satin Nickel
PULL 3172SN
3" Center • Overall Length: 5 3/8"



Classic Pull
Polished Chrome
PULL 3172PC
3" Center • Overall Length: 5 3/8"



Classic Pull
Weathered Nickel
PULL 3172WN
3" Center • Overall Length: 5 3/8"



Classic Pull
Verona Bronze
PULL 3172VB
3" Center • Overall Length: 5 3/8"



Classic Knob
Satin Nickel
KNOB 3173SN



Classic Knob
Polished Chrome
KNOB 3173PC



Classic Knob
Weathered Nickel
KNOB 3173WN



Classic Knob
Verona Bronze
KNOB 3173VB

Arched • Tier 1



Arched Pull
Satin Nickel
PULL 3652SN
3" Center • Overall Length: 4 7/8"



Arched Pull
Verona Bronze
PULL 3652VB
3" Center • Overall Length: 4 7/8"

Elliptical • Tier 1



Elliptical Knob
Satin Nickel
KNOB 3124SN



Elliptical Knob
Polished Chrome
KNOB 3124PC

Twisted Crescent • Tier 1



Twisted Crescent Pull
Satin Nickel
PULL 3122SN
96mm Center • Overall Length: 5 3/8"

Button • Tier 1



Button Knob
Satin Nickel
KNOB 3213SN

T-Bar • Tier 1



T-Bar Knob
Satin Nickel
KNOB 4703SN



T-Bar Knob
Verona Bronze
KNOB 4703VB

Barrel • Tier 2



Large Barrel Pull
Satin Nickel
PULL 3079SN
5" Center • Overall Length: 5 11/16"



Large Barrel Pull
Antique Pewter Copper
PULL 3079APC
5" Center • Overall Length: 5 11/16"



Large Barrel Pull
Verona Bronze
PULL 3079VB
5" Center • Overall Length: 5 11/16"

NR12 AVELEY, BRAMBLETON, DAWLEY, PORT, STONEWALL, TENLEY, TUCKHILL



Small Barrel Pull
Satin Nickel
PULL 3078SN
3 3/4" Center • Overall Length: 4 3/8"



Small Barrel Pull
Antique Pewter Copper
PULL 3078APC
3 3/4" Center • Overall Length: 4 3/8"



Small Barrel Pull
Verona Bronze
PULL 3078VB
3 3/4" Center • Overall Length: 4 3/8"

Bow • Tier 2



Bow Pull
Satin Nickel
PULL 3129SN
5" Center • Overall Length: 7 13/16"



Bow Pull
Verona Bronze
PULL 3129VB
5" Center • Overall Length: 7 13/16"

NR12 AVELEY, BRAMBLETON, DAWLEY, PORT, STONEWALL, TENLEY, TUCKHILL

Toggle • Tier 2



Toggle Knob
Satin Nickel
KNOB 3239SN



Toggle Knob
Verona Bronze
KNOB 3239VB

Rope • Tier 2



Rope Knob
Satin Nickel
KNOB 3231SN



Rope Knob
Weathered Nickel
KNOB 3231WN



Rope Knob
Oiled Bronze
KNOB 3231OB

Cup • Tier 2



Cup Pull
Satin Nickel
PULL 3105SN
3" Center • Overall Length: 4 5/8"



Cup Pull
Weathered Nickel
PULL 3105WN
3" Center • Overall Length: 4 5/8"



Cup Pull
Verona Bronze
PULL 3105VB
3" Center • Overall Length: 4 5/8"

Rounded Cup • Tier 2



Rounded Cup Pull
Satin Nickel
PULL 3107SN
3" Center • Overall Length: 3 7/16"



Rounded Cup Pull
Weathered Nickel
PULL 3107WN
3" Center • Overall Length: 3 7/16"



Rounded Cup Pull
Verona Bronze
PULL 3107VB
3" Center • Overall Length: 3 7/16"

Contour • Tier 2



Flat Contour Pull
Satin Nickel
PULL 3230SN
96mm Center • Overall Length: 5 1/4"



Flat Contour Pull
Weathered Nickel
PULL 3230WN
96mm Center • Overall Length: 5 1/4"



Flat Contour Pull
Oiled Bronze
PULL 3230OB
96mm Center • Overall Length: 5 1/4"

Tab • Tier 2



Tab Pull - 6"
Satin Nickel
PULL 1061SN
4 1/2" Center • Overall Length: 6"



Tab Pull - 3"
Satin Nickel
PULL 1057SN
2 1/4" Center • Overall Length: 3"



Tab Pull - 1 3/4"
Satin Nickel
PULL 1052SN
1 1/4" Center • Overall Length: 1 3/4"

Stamped • Tier 2



**Stamped Knob
Satin Nickel**
KNOB 3563SN



**Stamped Knob
Polished Nickel**
KNOB 3563PN



**Stamped Knob
Weathered Nickel**
KNOB 3563WN



**Stamped Knob
Verona Bronze**
KNOB 3563VB

Slotted • Tier 2



**Slotted Pull
Satin Nickel**
PULL 3125SN
96mm Center • Overall Length: 5 3/4"



**Slotted Pull
Polished Chrome**
PULL 3125PC
96mm Center • Overall Length: 5 3/4"

Oak Leaf • Tier 2



**Oak Leaf Pull
Antique Bronze**
PULL 3218AB
3" Center • Overall Length: 4 1/2"



**Oak Leaf Knob
Antique Bronze**
KNOB 3216AB

Beveled • Tier 2



**Beveled Knob
Satin Nickel**
KNOB 3103SN



**Beveled Knob
Antique Pewter Copper**
KNOB 3103APC



**Beveled Knob
Verona Bronze**
KNOB 3103VB



**Beveled Knob
Matte Black**
KNOB 3103MB

Turned • Tier 2



**Turned Knob
Brushed Tin**
KNOB 3327BT



**Turned Knob
Brushed Nickel**
KNOB 3327BN

Craftsman • Tier 2



**Craftsman Pull
Matte Black**
PULL 3104MB
3" Center • Overall Length: 4 3/4"

Rectangular • Tier 3



Rectangular Pull
Satin Nickel
PULL 3502SN

96mm Center • Overall Length: 4¹³/₁₆"



Rectangular Pull
Polished Nickel
PULL 3502PN

96mm Center • Overall Length: 4¹³/₁₆"



Rectangular Pull
Verona Bronze
PULL 3502VB

96mm Center • Overall Length: 4¹³/₁₆"



Rectangular Pull
Matte Black
PULL 3502MB

96mm Center • Overall Length: 4¹³/₁₆"



Rectangular Knob
Satin Nickel
KNOB 3503SN



Rectangular Knob
Polished Nickel
KNOB 3503PN



Rectangular Knob
Verona Bronze
KNOB 3503VB



Rectangular Knob
Matte Black
KNOB 3503MB

Sculpted • Tier 3



Sculpted Pull
Satin Nickel
PULL 4302SN

96mm Center • Overall Length: 4⁵/₁₆"



Sculpted Pull
Polished Chrome
PULL 4302PC

96mm Center • Overall Length: 4⁵/₁₆"



Sculpted Pull
Brushed Tin
PULL 4302BT

96mm Center • Overall Length: 4⁵/₁₆"



Sculpted Pull
Verona Bronze
PULL 4302VB

96mm Center • Overall Length: 4⁵/₁₆"



Sculpted Knob
Satin Nickel
KNOB 4303SN



Sculpted Knob
Polished Chrome
KNOB 4303PC



Sculpted Knob
Brushed Tin
KNOB 4303BT



Sculpted Knob
Verona Bronze
KNOB 4303VB

Twist • Tier 3



**Twist Pull
French Nickel**
PULL 3101FN

5" Center • Overall Length: 5 13/16"



**Twist Pull
Verona Bronze**
PULL 3101VB

5" Center • Overall Length: 5 13/16"



**Twist Knob
French Nickel**
KNOB 3102FN



**Twist Knob
Verona Bronze**
KNOB 3102VB

NR12 AVELEY, BRAMBLETON, DAWLEY, PORT, STONEWALL, TENLEY, TUCKHILL

Turned • Tier 3



**Turned Pull
Brushed Tin**
PULL 3328BT

5" Center • Overall Length: 5 13/16"



**Turned Pull
Brushed Nickel**
PULL 3328BN

5" Center • Overall Length: 5 13/16"

NR12 AVELEY, BRAMBLETON, DAWLEY, PORT, STONEWALL, TENLEY, TUCKHILL

Elegant • Tier 3



**Elegant Pull
Satin Nickel**
PULL 4950SN

96mm Center • Overall Length: 5 3/8"



**Elegant Pull
Verona Bronze**
PULL 4950VB

96mm Center • Overall Length: 5 3/8"

NR12 BRAMBLETON, DAWLEY, TUCKHILL

Vintage • Tier 3



**Vintage Pull
Brushed Nickel**
PULL 4960BN

96mm Center • Overall Length: 4 3/8"



**Vintage Pull
Brushed Tin**
PULL 4960BT

96mm Center • Overall Length: 4 3/8"

Rustic • Tier 3



**Rustic Pull
Rubbed Bronze**
PULL 3337RB

5" Center • Overall Length: 6"



**Rustic Knob
Rubbed Bronze**
KNOB 3336RB

NR12 AVELEY, BRAMBLETON, DAWLEY, PORT, STONEWALL, TENLEY, TUCKHILL

Reeded • Tier 3



**Large Reeded Pull
Verona Bronze**
PULL 3332VB

5" Center • Overall Length: 6 3/8"



**Small Reeded Pull
Verona Bronze**
PULL 3331VB

3 3/4" Center • Overall Length: 5 1/16"



**Reeded Knob
Verona Bronze**
KNOB 3330VB

NR12 AVELEY, BRAMBLETON, DAWLEY, PORT, STONEWALL, TENLEY, TUCKHILL

Beaded • Tier 3



Beaded Pull
Satin Nickel
PULL 3562SN

96mm Center • Overall Length: 4 1/2"



Beaded Pull
Polished Nickel
PULL 3562PN

96mm Center • Overall Length: 4 1/2"



Beaded Pull
Weathered Nickel
PULL 3562WN

96mm Center • Overall Length: 4 1/2"



Beaded Pull
Verona Bronze
PULL 3562VB

96mm Center • Overall Length: 4 1/2"

T-Bar • Tier 3



T-Bar Pull - 12 3/8"
Satin Nickel
PULL 4730SN

256mm Center • Overall Length: 12 3/8"



T-Bar Pull - 12 3/8"
Verona Bronze
PULL 4730VB

256mm Center • Overall Length: 12 3/8"

NR12 All Door Styles

NR15 AVELEY, BRAMBLETON, DAWLEY, PORT, STONEWALL, TENLEY, TUCKHILL



T-Bar Pull - 8 5/8"
Satin Nickel
PULL 4712SN

160mm Center • Overall Length: 8 5/8"



T-Bar Pull - 8 5/8"
Verona Bronze
PULL 4712VB

160mm Center • Overall Length: 8 5/8"

NR12 AVELEY, BRAMBLETON, DAWLEY, PORT, STONEWALL, TENLEY, TUCKHILL



T-Bar Pull - 5 3/8"
Satin Nickel
PULL 4701SN

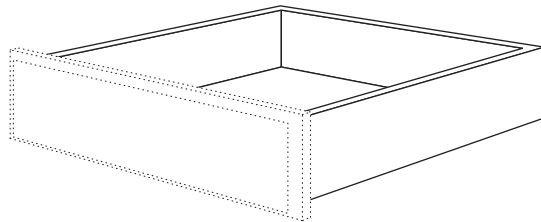
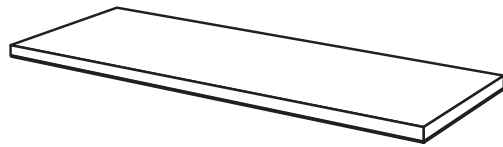
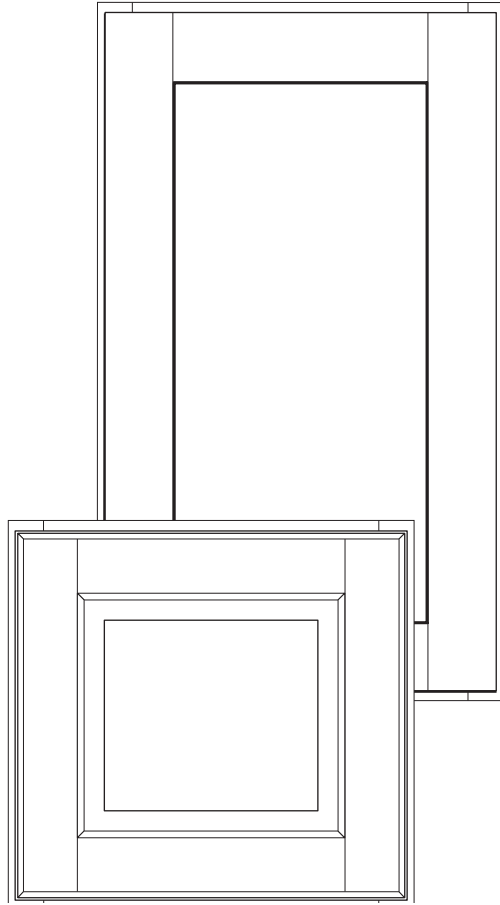
3" Center • Overall Length: 5 3/8"



T-Bar Pull - 5 3/8"
Verona Bronze
PULL 4701VB

3" Center • Overall Length: 5 3/8"

parts directory



Parts Directory Contents

The parts directory conveniently combines all three construction packages. All dimensions are found on pages 274–279.

Wall Cabinets

Standard.....	244
With Spice Rack.....	244
Wall Top Hinge.....	245
Wall End Angle.....	246
Peninsula	246
Blind	246
Blind Peninsula.....	247
Corner.....	247
Peninsula Corner.....	248
Wall Easy Reach	248
Refrigerator.....	249
Microwave.....	249
Wall Range Hood.....	249

Base Cabinets

Furniture Drawers.....	250
Pedestal Drawers	250
Standard	252
With Deep Roll Out Trays.....	252
With Door Accessory.....	252
With Roll Out Tray Divider.....	252
With Wastebaskets.....	252
Base Pot and Pan Organizer.....	252
Peninsula.....	252
With Cutlery Divider Kit.....	254
With Wood Tiered Cutlery Divider Kit.....	254
Blind Corner	254
Blind Peninsula Corner.....	254
With Full Height Door.....	256
Base End Angle.....	256

Drawer Base Cabinets

Two Drawer Base	258
Three Drawer.....	258
Three Drawer With Drawer Organizer	258
Four Drawer.....	259
Four Drawer With Drawer Organizer.....	259
Spice Drawer Cabinet.....	259
Base Microwave.....	259

Sink Base Cabinets

Corner Sink Base, Corner Sink Front	260
Sink/Cooktop Base and Front	260
Sink with Tilt-Out Tray(s).....	260
Sink Base Multi-Storage Cabinet.....	260

Corner Base Cabinets.....

Tall Cabinets

Utility With Adjustable Shelves	262
Utility With Deep Roll Out Trays.....	262
Double Oven.....	264
Single Oven.....	266

Desk Cabinets

Desk Door.....	254
With Wastebasket(s).....	257
Desk File Pullout.....	257
Desk Drawer Base.....	257
Kneehole Drawer.....	259

Vanity Cabinets

Vanity Linen.....	271
Vanity Base.....	271
Vanity Wastebasket.....	271
Vanity Sink Base with Top Drawer.....	271
Vanity Combo Sink Base	272
Vanity Sink Base.....	273
Vanity Drawer Base.....	273

Dimensions

Doors.....	274
Shelves	275
Glass Inserts.....	276
Roll Out Accessories	277
Drawer Fronts.....	277
Drawer Bodies.....	278

Accessories

Miscellaneous Parts	280
---------------------------	-----

Parts Directory Legend

DOOR NOMENCLATURE LEGEND	
DR__	Square doors must be ordered as hinged left (invert for right hinging) or as no drill Example: SKU: DR1230 Option: Left Hinge
DR_SD	Square Specialty Doors are used for Aluminum Frame, Mullion Frame or Open Frame Door options Example: SKU: DR1230 SD Option: OFD - Open Frame Door Option: Left Hinge
DR_FH	Full-Height Door for Full-Height Base, Full-Height Peninsula Base and Full-Height Vanity Base Example: SKU: DR15 FH Option: Left Hinge
DR_V	Deep Sink Base Door Example: SKU: DR1521V Option: Left Hinge

DRAWER/PANEL FRONT NOMENCLATURE LEGEND	
DDF__	Drawer/Panel Front for Base, Vanity or Desk cabinet
DDF__M	Large Drawer Front for Drawer Base, Vanity or Desk cabinet
DDFOV__	Drawer Front for OVD__ (AS) BUTT
DDFKDC__	Drawer Front for Kneehole Drawer cabinet
DDF__2DB	Drawer Front for 2 Drawer Base cabinet

DRAWER BODY NOMENCLATURE LEGEND	
DRB__	Dovetail drawer box with Full-Access Soft-Close glides
DRB__M	Deep Dovetail drawer box with Full-Access Soft-Close glides

ADJUSTABLE SHELVING NOMENCLATURE LEGEND	
Adjustable Shelving Notes: Bookshelves and Microwave Wall Cabinet replacement shelves feature Matching Interior standard - MI and MI PLY Shelving NOT available Specialty Door cabinets feature Matching Interior standard, replacement shelves must be ordered as __" SHELF MI or __" SHELF MI PLY	
__" SHELF 3/4	essential and select 3/4" Adjustable Shelf for Wall, Base and 24" Deep Refrigerator Wall cabinets Example: 12" SHELF 3/4
__" SHELF 24DP 3/4	select 3/4" Full Depth Adjustable Shelf for Base cabinets and 24" Deep Refrigerator Wall cabinets Example: 30" SHELF 24DP 3/4
__" SHELF PLY	luxury 3/4" Plywood Adjustable Shelf for Wall cabinets Example: 12" SHELF PLY
__" SHELF 24DP PLY	luxury 3/4" Plywood Full-Depth Adjustable Shelf for Base cabinets and 24" Deep Refrigerator Wall cabinets Example: 30" SHELF 24DP PLY
__" SHELF MI PLY	luxury Matching Interior 3/4" Plywood Adjustable Plywood Shelving, add MI before PLY Example: 12" SHELF MI PLY
__" SHELF MI	essential & select For Matching Interior 3/4" Plywood Adjustable Plywood Shelving, add MI before PLY Example: 12" SHELF MI

SKU	QTY	DOOR / SPECIALTY DOOR		GLASS INSERT	QTY	ADJUSTABLE SHELF	
		PART NAME	PART NAME	PART NAME		essential & select 60, 61, 63, 64, 66, 67	luxury 62, 65, 68
						*PART NAME	*PART NAME
STANDARD WALL • 12" HIGH							
W3012 BUTT	2	DR1512 BUTT	DR1512 BUTT SD	DGI-1512 BUTT	-	N/A	N/A
W3312 BUTT	2	DR1612 BUTT	DR1612 BUTT SD	DGI-1612 BUTT	-	N/A	N/A
W3612 BUTT	2	DR1812 BUTT	DR1812 BUTT SD	DGI-1812 BUTT	-	N/A	N/A
W3912	2	DR1912	DR1912 SD	DGI-1912	-	N/A	N/A
STANDARD WALL • 15" HIGH							
W3015 BUTT	2	DR1515 BUTT	DR1515 BUTT SD	DGI-1515 BUTT	-	N/A	N/A
W3315 BUTT	2	DR1615 BUTT	DR1615 BUTT SD	DGI-1615 BUTT	-	N/A	N/A
W3615 BUTT	2	DR1815 BUTT	DR1815 BUTT SD	DGI-1815 BUTT	-	N/A	N/A
W3915	2	DR1915	DR1915 SD	DGI-1915	-	N/A	N/A
STANDARD WALL • 18" HIGH							
W1218	1	DR1218	DR1218 SD	DGI-1218	-	N/A	N/A
W1518	1	DR1518	DR1518 SD	DGI-1518	-	N/A	N/A
W1818	1	DR1818	DR1818 SD	DGI-1818	-	N/A	N/A
W2118	1	DR2118	DR2118 SD	DGI-2118	-	N/A	N/A
W2418 BUTT	2	DR1218 BUTT	DR1218 BUTT SD	DGI-1218 BUTT	-	N/A	N/A
W2718 BUTT	2	DR1318 BUTT	DR1318 BUTT SD	DGI-1318 BUTT	-	N/A	N/A
W3018 BUTT	2	DR1518 BUTT	DR1518 BUTT SD	DGI-1518 BUTT	-	N/A	N/A
W3318 BUTT	2	DR1618 BUTT	DR1618 BUTT SD	DGI-1618 BUTT	-	N/A	N/A
W3618 BUTT	2	DR1818 BUTT	DR1818 BUTT SD	DGI-1818 BUTT	-	N/A	N/A
W3918	2	DR1918	DR1918 SD	DGI-1918	-	N/A	N/A
STANDARD WALL • 21" HIGH							
W3021 BUTT	2	DR1521 BUTT	DR1521 BUTT SD	DGI-1521 BUTT	-	N/A	N/A
W3321 BUTT	2	DR1621 BUTT	DR1621 BUTT SD	DGI-1621 BUTT	-	N/A	N/A
W3621 BUTT	2	DR1821 BUTT	DR1821 BUTT SD	DGI-1821 BUTT	-	N/A	N/A
W3921	2	DR1921	DR1921 SD	DGI-1921	-	N/A	N/A
STANDARD WALL • 24" HIGH							
W1224	1	DR1224	DR1224 SD	DGI-1224	1	12" SHELF 3/4	12" SHELF PLY
W1524	1	DR1524	DR1524 SD	DGI-1524	1	15" SHELF 3/4	15" SHELF PLY
W1824	1	DR1824	DR1824 SD	DGI-1824	1	18" SHELF 3/4	18" SHELF PLY
W2124	1	DR2124	DR2124 SD	DGI-2124	1	21" SHELF 3/4	21" SHELF PLY
W2424 BUTT	2	DR1224 BUTT	DR1224 BUTT SD	DGI-1224 BUTT	1	24" SHELF 3/4	24" SHELF PLY
W2724 BUTT	2	DR1324 BUTT	DR1324 BUTT SD	DGI-1324 BUTT	1	27" SHELF 3/4	27" SHELF PLY
W3024 BUTT	2	DR1524 BUTT	DR1524 BUTT SD	DGI-1524 BUTT	1	30" SHELF 3/4	30" SHELF PLY
W3324 BUTT	2	DR1624 BUTT	DR1624 BUTT SD	DGI-1624 BUTT	1	33" SHELF 3/4	33" SHELF PLY
W3624 BUTT	2	DR1824 BUTT	DR1824 BUTT SD	DGI-1824 BUTT	1	36" SHELF 3/4	36" SHELF PLY
STANDARD WALL • 27" HIGH							
W3027 BUTT	2	DR1527 BUTT	DR1527 BUTT SD	DGI-1527 BUTT	1	30" SHELF 3/4	30" SHELF PLY
STANDARD WALL • 30" HIGH							
W930	1	DR930	-	-	2	9" SHELF 3/4	9" SHELF PLY
W1230	1	DR1230	DR1230 SD	DGI-1230	2	12" SHELF 3/4	12" SHELF PLY
W1530	1	DR1530	DR1530 SD	DGI-1530	2	15" SHELF 3/4	15" SHELF PLY
W1830	1	DR1830	DR1830 SD	DGI-1830	2	18" SHELF 3/4	18" SHELF PLY
W2130	1	DR2130	DR2130 SD	DGI-2130	2	21" SHELF 3/4	21" SHELF PLY
W2430	1	DR2430	-	-	2	24" SHELF 3/4	24" SHELF PLY
W2430 BUTT	2	DR1230 BUTT	DR1230 BUTT SD	DGI-1230 BUTT	2	24" SHELF 3/4	24" SHELF PLY
W2730 BUTT	2	DR1330 BUTT	DR1330 BUTT SD	DGI-1330 BUTT	2	27" SHELF 3/4	27" SHELF PLY
W3030 BUTT	2	DR1530 BUTT	DR1530 BUTT SD	DGI-1530 BUTT	2	30" SHELF 3/4	30" SHELF PLY
W3330 BUTT	2	DR1630 BUTT	DR1630 BUTT SD	DGI-1630 BUTT	2	33" SHELF 3/4	33" SHELF PLY
W3630 BUTT	2	DR1830 BUTT	DR1830 BUTT SD	DGI-1830 BUTT	2	36" SHELF 3/4	36" SHELF PLY
WALL WITH SPICE RACK • 30" HIGH							
W1530 SR	1	DR1530	-	-	2	15" SHELF 3/4	15" SHELF PLY
W1830 SR	1	DR1830	-	-	2	18" SHELF 3/4	18" SHELF PLY
W2130 SR	1	DR2130	-	-	2	21" SHELF 3/4	21" SHELF PLY

SKU	QTY	DOOR / SPECIALTY DOOR		GLASS INSERT	QTY	ADJUSTABLE SHELF	
		PART NAME	PART NAME	PART NAME		essential & select 60, 61, 63, 64, 66, 67	luxury 62, 65, 68
						*PART NAME	*PART NAME
STANDARD WALL • 36" HIGH							
W936	1	DR936	-	-	2	9" SHELF 3/4	9" SHELF PLY
W1236	1	DR1236	DR1236 SD	DGI-1236	2	12" SHELF 3/4	12" SHELF PLY
W1536	1	DR1536	DR1536 SD	DGI-1536	2	15" SHELF 3/4	15" SHELF PLY
W1836	1	DR1836	DR1836 SD	DGI-1836	2	18" SHELF 3/4	18" SHELF PLY
W2136	1	DR2136	DR2136 SD	DGI-2136	2	21" SHELF 3/4	21" SHELF PLY
W2436	1	DR2436	-	-	2	24" SHELF 3/4	24" SHELF PLY
W2436 BUTT	2	DR1236 BUTT	DR1236 BUTT SD	DGI-1236 BUTT	2	24" SHELF 3/4	24" SHELF PLY
W2736 BUTT	2	DR1336 BUTT	DR1336 BUTT SD	DGI-1336 BUTT	2	27" SHELF 3/4	27" SHELF PLY
W3036 BUTT	2	DR1536 BUTT	DR1536 BUTT SD	DGI-1536 BUTT	2	30" SHELF 3/4	30" SHELF PLY
W3336 BUTT	2	DR1636 BUTT	DR1636 BUTT SD	DGI-1636 BUTT	2	33" SHELF 3/4	33" SHELF PLY
W3636 BUTT	2	DR1836 BUTT	DR1836 BUTT SD	DGI-1836 BUTT	2	36" SHELF 3/4	36" SHELF PLY
WALL WITH SPICE RACK • 36" HIGH							
W1536 SR	1	DR1536	-	-	2	15" SHELF 3/4	15" SHELF PLY
W1836 SR	1	DR1836	-	-	2	18" SHELF 3/4	18" SHELF PLY
W2136 SR	1	DR2136	-	-	2	21" SHELF 3/4	21" SHELF PLY
WALL CABINET • 39" HIGH							
W939	1	DR939	-	-	3	9" SHELF 3/4	9" SHELF PLY
W1239	1	DR1239	DR1239 SD	DGI-1239	3	12" SHELF 3/4	12" SHELF PLY
W1539	1	DR1539	DR1539 SD	DGI-1539	3	15" SHELF 3/4	15" SHELF PLY
W1839	1	DR1839	DR1839 SD	DGI-1839	3	18" SHELF 3/4	18" SHELF PLY
W2139	1	DR2139	DR2139 SD	DGI-2139	3	21" SHELF 3/4	21" SHELF PLY
W2439	1	DR2439	-	-	3	24" SHELF 3/4	24" SHELF PLY
W2439 BUTT	2	DR1239 BUTT	DR1239 BUTT SD	DGI-1239 BUTT	3	24" SHELF 3/4	24" SHELF PLY
W2739 BUTT	2	DR1339 BUTT	DR1339 BUTT SD	DGI-1339 BUTT	3	27" SHELF 3/4	27" SHELF PLY
W3039 BUTT	2	DR1539 BUTT	DR1539 BUTT SD	DGI-1539 BUTT	3	30" SHELF 3/4	30" SHELF PLY
W3339 BUTT	2	DR1639 BUTT	DR1639 BUTT SD	DGI-1639 BUTT	3	33" SHELF 3/4	33" SHELF PLY
W3639 BUTT	2	DR1839 BUTT	DR1839 BUTT SD	DGI-1839 BUTT	3	36" SHELF 3/4	36" SHELF PLY
WALL WITH SPICE RACK • 39" HIGH							
W1539 SR	1	DR1539	-	-	3	15" SHELF 3/4	15" SHELF PLY
W1839 SR	1	DR1839	-	-	3	18" SHELF 3/4	18" SHELF PLY
W2139 SR	1	DR2139	-	-	3	21" SHELF 3/4	21" SHELF PLY
STANDARD WALL • 42" HIGH							
W942	1	DR942	-	-	3	9" SHELF 3/4	9" SHELF PLY
W1242	1	DR1242	DR1242 SD	DGI-1242	3	12" SHELF 3/4	12" SHELF PLY
W1542	1	DR1542	DR1542 SD	DGI-1542	3	15" SHELF 3/4	15" SHELF PLY
W1842	1	DR1842	DR1842 SD	DGI-1842	3	18" SHELF 3/4	18" SHELF PLY
W2142	1	DR2142	DR2142 SD	DGI-2142	3	21" SHELF 3/4	21" SHELF PLY
W2442	1	DR2442	-	-	3	24" SHELF 3/4	24" SHELF PLY
W2442 BUTT	2	DR1242 BUTT	DR1242 BUTT SD	DGI-1242 BUTT	3	24" SHELF 3/4	24" SHELF PLY
W2742 BUTT	2	DR1342 BUTT	DR1342 BUTT SD	DGI-1342 BUTT	3	27" SHELF 3/4	27" SHELF PLY
W3042 BUTT	2	DR1542 BUTT	DR1542 BUTT SD	DGI-1542 BUTT	3	30" SHELF 3/4	30" SHELF PLY
W3342 BUTT	2	DR1642 BUTT	DR1642 BUTT SD	DGI-1642 BUTT	3	33" SHELF 3/4	33" SHELF PLY
W3642 BUTT	2	DR1842 BUTT	DR1842 BUTT SD	DGI-1842 BUTT	3	36" SHELF 3/4	36" SHELF PLY
WALL WITH SPICE RACK • 42" HIGH							
W1542 SR	1	DR1542	-	-	2	15" SHELF 3/4	15" SHELF PLY
W1842 SR	1	DR1842	-	-	2	18" SHELF 3/4	18" SHELF PLY
W2142 SR	1	DR2142	-	-	3	21" SHELF 3/4	21" SHELF PLY
WALL TOP HINGE • 15" HIGH							
WTH3015	1	DR3015 WTH	DR3015 WTH SD	DGI-1530	-	N/A	N/A
WTH3615	1	DR3615 WTH	DR3615 WTH SD	DGI-1536	-	N/A	N/A
WALL TOP HINGE • 15" HIGH X 24" DEEP							
WTH3015 X 24DP	1	DR3015 WTH	DR3015 WTH SD	DGI-1530	-	N/A	N/A
WTH3615 X 24DP	1	DR3615 WTH	DR3615 WTH SD	DGI-1536	-	N/A	N/A
WALL TOP HINGE • 18" HIGH							
WTH3018	1	DR3018 WTH	DR3018 WTH SD	DGI-1830	-	N/A	N/A
WTH3618	1	DR3618 WTH	DR3618 WTH SD	DGI-1836	-	N/A	N/A

*For Matching Interior Adjustable Shelf, refer to Parts Directory Legend

SKU	QTY	DOOR / SPECIALTY DOOR		GLASS INSERT	QTY	ADJUSTABLE SHELF	
		PART NAME	PART NAME	PART NAME		essential & select 60, 61, 63, 64, 66, 67	luxury 62, 65, 68
						*PART NAME	*PART NAME
WALL TOP HINGE - 18" HIGH X 24" DEEP							
WTH3018 X 24DP	1	DR3018 WTH	DR3018 WTH SD	DGI-1830	-	N/A	N/A
WTH3618 X 24DP	1	DR3618 WTH	DR3618 WTH SD	DGI-1836	-	N/A	N/A
WALL END ANGLE							
WEA1230	1	DR1530	DR1530 SD	DGI-1530	2	WEA SHELF 3/4	WEA SHELF PLY
WEA1236	1	DR1536	DR1536 SD	DGI-1536	2	WEA SHELF 3/4	WEA SHELF PLY
WEA1239	1	DR1539	DR1539 SD	DGI-1539	3	WEA SHELF 3/4	WEA SHELF PLY
WEA1242	1	DR1542	DR1542 SD	DGI-1542	3	WEA SHELF 3/4	WEA SHELF PLY
PENINSULA WALL - 18" HIGH							
PW1818	2	DR1818	DR1818 SD	DGI-1818	-	N/A	N/A
PW2418 BUTT	4	DR1218 BUTT	DR1218 BUTT SD	DGI-1218 BUTT	-	N/A	N/A
PW3018 BUTT	4	DR1518 BUTT	DR1518 BUTT SD	DGI-1518 BUTT	-	N/A	N/A
PW3618 BUTT	4	DR1818 BUTT	DR1818 BUTT SD	DGI-1818 BUTT	-	N/A	N/A
PENINSULA WALL - 21" HIGH							
PW3021 BUTT	4	DR1521 BUTT	DR1521 BUTT SD	DGI-1521	-	N/A	N/A
PW3621 BUTT	4	DR1821 BUTT	DR1821 BUTT SD	DGI-1821	-	N/A	N/A
PENINSULA WALL - 24" HIGH							
PW1224	2	DR1224	DR1224 SD	DGI-1224	1	12" SHELF PW 3/4	12" SHELF PW PLY
PW1824	2	DR1824	DR1824 SD	DGI-1824	1	18" SHELF PW 3/4	18" SHELF PW PLY
PW2424 BUTT	4	DR1224 BUTT	DR1224 BUTT SD	DGI-1224 BUTT	1	24" SHELF PW 3/4	24" SHELF PW PLY
PW3024 BUTT	4	DR1524 BUTT	DR1524 BUTT SD	DGI-1524 BUTT	1	30" SHELF PW 3/4	30" SHELF PW PLY
PW3624 BUTT	4	DR1824 BUTT	DR1824 BUTT SD	DGI-1824 BUTT	1	36" SHELF PW 3/4	36" SHELF PW PLY
PENINSULA WALL - 27" HIGH							
PW3027 BUTT	4	DR1527 BUTT	DR1527 BUTT SD	DGI-1527	1	30" SHELF PW 3/4	30" SHELF PW PLY
PENINSULA WALL - 30" HIGH							
PW1230	2	DR1230	DR1230 SD	DGI-1230	2	12" SHELF PW 3/4	12" SHELF PW PLY
PW1530	2	DR1530	DR1530 SD	DGI-1530	2	15" SHELF PW 3/4	15" SHELF PW PLY
PW1830	2	DR1830	DR1830 SD	DGI-1830	2	18" SHELF PW 3/4	18" SHELF PW PLY
PW2430	2	DR2430	-	-	2	24" SHELF PW 3/4	24" SHELF PW PLY
PW2430 BUTT	4	DR1230 BUTT	DR1230 BUTT SD	DGI-1230 BUTT	2	24" SHELF PW 3/4	24" SHELF PW PLY
PW3030 BUTT	4	DR1530 BUTT	DR1530 BUTT SD	DGI-1530 BUTT	2	30" SHELF PW 3/4	30" SHELF PW PLY
PW3630 BUTT	4	DR1830 BUTT	DR1830 BUTT SD	DGI-1830 BUTT	2	36" SHELF PW 3/4	36" SHELF PW PLY
PENINSULA WALL - 36" HIGH							
PW2436	2	DR2436	-	-	2	24" SHELF PW 3/4	24" SHELF PW PLY
PW2436 BUTT	4	DR1236 BUTT	DR1236 BUTT SD	DGI-1236 BUTT	2	24" SHELF PW 3/4	24" SHELF PW PLY
PW3036 BUTT	4	DR1536 BUTT	DR1536 BUTT SD	DGI-1536 BUTT	2	30" SHELF PW 3/4	30" SHELF PW PLY
PW3636 BUTT	4	DR1836 BUTT	DR1836 BUTT SD	DGI-1836 BUTT	2	36" SHELF PW 3/4	36" SHELF PW PLY
PENINSULA WALL - 39" HIGH							
PW2439	2	DR2439	-	-	3	24" SHELF PW 3/4	24" SHELF PW PLY
PW2439 BUTT	4	DR1239 BUTT	DR1239 BUTT SD	DGI-1239 BUTT	3	24" SHELF PW 3/4	24" SHELF PW PLY
PW3039 BUTT	4	DR1539 BUTT	DR1539 BUTT SD	DGI-1539 BUTT	3	30" SHELF PW 3/4	30" SHELF PW PLY
PW3639 BUTT	4	DR1839 BUTT	DR1839 BUTT SD	DGI-1839 BUTT	3	36" SHELF PW 3/4	36" SHELF PW PLY
PENINSULA WALL - 42" HIGH							
PW2442	2	DR2442	-	-	3	24" SHELF PW 3/4	24" SHELF PW PLY
PW2442 BUTT	4	DR1242 BUTT	DR1242 BUTT SD	DGI-1242 BUTT	3	24" SHELF PW 3/4	24" SHELF PW PLY
PW3042 BUTT	4	DR1542 BUTT	DR1542 BUTT SD	DGI-1542 BUTT	3	30" SHELF PW 3/4	30" SHELF PW PLY
PW3642 BUTT	4	DR1842 BUTT	DR1842 BUTT SD	DGI-1842 BUTT	3	36" SHELF PW 3/4	36" SHELF PW PLY
BLIND WALL - 24" HIGH							
BLW24/2724	1	DR1224	DR1224 SD	DGI-1224	1	24" SHELF 3/4	24" SHELF PLY
BLW27/3024	1	DR1524	DR1524 SD	DGI-1524	1	27" SHELF 3/4	27" SHELF PLY
BLW30/3324	1	DR1824	DR1824 SD	DGI-1824	1	30" SHELF 3/4	30" SHELF PLY
BLW33/3624	1	DR2124	DR2124 SD	DGI-2124	1	33" SHELF 3/4	33" SHELF PLY
BLW36/3924 BUTT	2	DR1224 BUTT	DR1224 BUTT SD	DGI-1224 BUTT	1	36" SHELF 3/4	36" SHELF PLY

SKU	QTY	DOOR / SPECIALTY DOOR		GLASS INSERT	QTY	ADJUSTABLE SHELF	
		PART NAME	PART NAME	PART NAME		essential & select 60, 61, 63, 64, 66, 67	luxury 62, 65, 68
						*PART NAME	*PART NAME
BLIND WALL • 30" HIGH							
BLW24/2730	1	DR1230	DR1230 SD	DGI-1230	2	24" SHELF 3/4	24" SHELF PLY
BLW27/3030	1	DR1530	DR1530 SD	DGI-1530	2	27" SHELF 3/4	27" SHELF PLY
BLW30/3330	1	DR1830	DR1830 SD	DGI-1830	2	30" SHELF 3/4	30" SHELF PLY
BLW33/3630	1	DR2130	DR2130 SD	DGI-2130	2	33" SHELF 3/4	33" SHELF PLY
BLW36/3930	1	DR2430	-	-	2	36" SHELF 3/4	36" SHELF PLY
BLW36/3930 BUTT	2	DR1230 BUTT	DR1230 BUTT SD	DGI-1230 BUTT	2	36" SHELF 3/4	36" SHELF PLY
BLW39/4230 BUTT	2	DR1330 BUTT	DR1330 BUTT SD	DGI-1330 BUTT	2	39" SHELF 3/4	39" SHELF PLY
BLW42/4530 BUTT	2	DR1530 BUTT	DR1530 BUTT SD	DGI-1530 BUTT	2	42" SHELF 3/4	42" SHELF PLY
BLIND WALL • 36" HIGH							
BLW24/2736	1	DR1236	DR1236 SD	DGI-1236	2	24" SHELF 3/4	24" SHELF PLY
BLW27/3036	1	DR1536	DR1536 SD	DGI-1536	2	27" SHELF 3/4	27" SHELF PLY
BLW30/3336	1	DR1836	DR1836 SD	DGI-1836	2	30" SHELF 3/4	30" SHELF PLY
BLW33/3636	1	DR2136	DR2136 SD	DGI-2136	2	33" SHELF 3/4	33" SHELF PLY
BLW36/3936 BUTT	2	DR1236 BUTT	DR1236 BUTT SD	DGI-1236 BUTT	2	36" SHELF 3/4	36" SHELF PLY
BLW39/4236 BUTT	2	DR1336 BUTT	DR1336 BUTT SD	DGI-1336 BUTT	2	39" SHELF 3/4	39" SHELF PLY
BLW42/4536 BUTT	2	DR1536 BUTT	DR1536 BUTT SD	DGI-1536 BUTT	2	42" SHELF 3/4	42" SHELF PLY
BLIND WALL • 39" HIGH							
BLW24/2739	1	DR1239	DR1239 SD	DGI-1239	3	24" SHELF 3/4	24" SHELF PLY
BLW27/3039	1	DR1539	DR1539 SD	DGI-1539	3	27" SHELF 3/4	27" SHELF PLY
BLW30/3339	1	DR1839	DR1839 SD	DGI-1839	3	30" SHELF 3/4	30" SHELF PLY
BLW33/3639	1	DR2139	DR2139 SD	DGI-2139	3	33" SHELF 3/4	33" SHELF PLY
BLW36/3939 BUTT	2	DR1239 BUTT	DR1239 BUTT SD	DGI-1239 BUTT	3	36" SHELF 3/4	36" SHELF PLY
BLW39/4239 BUTT	2	DR1339 BUTT	DR1339 BUTT SD	DGI-1339 BUTT	3	39" SHELF 3/4	39" SHELF PLY
BLW42/4539 BUTT	2	DR1539 BUTT	DR1539 BUTT SD	DGI-1539 BUTT	3	39" SHELF 3/4	39" SHELF PLY
BLIND WALL • 42" HIGH							
BLW24/2742	1	DR1242	DR1242 SD	DGI-1242	3	24" SHELF 3/4	24" SHELF PLY
BLW27/3042	1	DR1542	DR1542 SD	DGI-1542	3	27" SHELF 3/4	27" SHELF PLY
BLW30/3342	1	DR1842	DR1842 SD	DGI-1842	3	30" SHELF 3/4	30" SHELF PLY
BLW33/3642	1	DR2142	DR2142 SD	DGI-2142	3	33" SHELF 3/4	33" SHELF PLY
BLW36/3942 BUTT	2	DR1242 BUTT	DR1242 BUTT SD	DGI-1242 BUTT	3	36" SHELF 3/4	36" SHELF PLY
BLW39/4242 BUTT	2	DR1342 BUTT	DR1342 BUTT SD	DGI-1342 BUTT	3	39" SHELF 3/4	39" SHELF PLY
BLW42/4542 BUTT	2	DR1542 BUTT	DR1542 BUTT SD	DGI-1542 BUTT	3	42" SHELF 3/4	42" SHELF PLY
BLIND PENINSULA WALL							
BLPW2424 BUTT	1	DR1224	DR1224 SD	DGI-1224	1	24" SHELF PW 3/4	24" SHELF PW PLY
	2	DR1224 BUTT	DR1224 BUTT SD	DGI-1224 BUTT			
BLPW2430 BUTT	1	DR1230	DR1230 SD	DGI-1230	2	24" SHELF PW 3/4	24" SHELF PW PLY
	2	DR1230 BUTT	DR1230 BUTT SD	DGI-1230 BUTT			
BLPW2436 BUTT	1	DR1236	DR1236 SD	DGI-1236	2	24" SHELF PW 3/4	24" SHELF PW PLY
	2	DR1236 BUTT	DR1236 BUTT SD	DGI-1236 BUTT			
BLPW2439 BUTT	1	DR1239	DR1239 SD	DGI-1239	3	24" SHELF PW 3/4	24" SHELF PW PLY
	2	DR1239 BUTT	DR1239 BUTT SD	DGI-1239 BUTT			
BLPW2442 BUTT	1	DR1242	DR1242 SD	DGI-1242	3	24" SHELF PW 3/4	24" SHELF PW PLY
	2	DR1242 BUTT	DR1242 BUTT SD	DGI-1242 BUTT			
CORNER WALL • 18" HIGH							
CW2418	1	DR1518	DR1518 SD	DGI-1518	-	N/A	N/A
CW2718	1	DR1518	DR1518 SD	DGI-1518	-	N/A	N/A
CORNER WALL • 24" HIGH							
CW2424	1	DR1524	DR1524 SD	DGI-1524	-	N/A	N/A
CW2724	1	DR1524	DR1524 SD	DGI-1524	-	N/A	N/A
CORNER WALL • 30" HIGH							
CW2430	1	DR1530	DR1530 SD	DGI-1530	2	CW SHELF ADJ 3/4	CW SHELF ADJ PLY
CW2730	1	DR1530	DR1530 SD	DGI-1530	2	CW27 SHELF ADJ 3/4	CW27 SHELF ADJ PLY
CWS2430 WD	1	DR1530	DR1530 SD	DGI-1530	2	CWS24 SHELF WD NP	CWS24 SHLF WD NP PLY
CORNER WALL • 36" HIGH							
CW2436	1	DR1536	DR1536 SD	DGI-1536	2	CW SHELF ADJ 3/4	CW SHELF ADJ PLY
CW2736	1	DR1536	DR1536 SD	DGI-1536	2	CW27 SHELF ADJ 3/4	CW27 SHELF ADJ PLY
CWS2436 WD	1	DR1536	DR1536 SD	DGI-1536	2	CWS24 SHELF WD NP	CWS24 SHLF WD NP PLY

*For Matching Interior Adjustable Shelf, refer to Parts Directory Legend

SKU	QTY	DOOR / SPECIALTY DOOR		GLASS INSERT	QTY	ADJUSTABLE SHELF	
		PART NAME	PART NAME	PART NAME		essential & select 60, 61, 63, 64, 66, 67	luxury 62, 65, 68
						*PART NAME	*PART NAME
CORNER WALL - 39" HIGH							
CW2439	1	DR1539	DR1539 SD	DGI-1539	3	CW SHELF ADJ 3/4	CW SHELF ADJ PLY
CW2739	1	DR1539	DR1539 SD	DGI-1539	3	CW27 SHELF ADJ 3/4	CW27 SHELF ADJ PLY
CWS2439 WD	1	DR1539	DR1539 SD	DGI-1539	3	CWS24 SHLF WD NP	CWS24 SHLF WD NP PLY
CORNER WALL - 42" HIGH							
CW2442	1	DR1542	DR1542 SD	DGI-1542	3	CW SHELF ADJ 3/4	CW SHELF ADJ PLY
CW2742	1	DR1542	DR1542 SD	DGI-1542	3	CW27 SHELF ADJ 3/4	CW27 SHELF ADJ PLY
CWS2442 WD	1	DR1542	DR1542 SD	DGI-1542	3	CWS24 SHELF WD NP	CWS24 SHLF WD NP PLY
PENINSULA CORNER WALL							
PWCW2430 BUTT	1	DR1530	DR1530 SD	DGI-1530	2	PWCW SHELF 3/4	PWCW SHELF PLY
	2	DR1230 BUTT	DR1230 BUTT SD	DGI-1230 BUTT			
PWCW2436 BUTT	1	DR1536	DR1536 SD	DGI-1536	2	PWCW SHELF 3/4	PWCW SHELF PLY
	2	DR1236 BUTT	DR1236 BUTT SD	DGI-1236 BUTT			
PWCW2439 BUTT	1	DR1539	DR1539 SD	DGI-1539	3	PWCW SHELF 3/4	PWCW SHELF PLY
	2	DR1239 BUTT	DR1239 BUTT SD	DGI-1239 BUTT			
PWCW2442 BUTT	1	DR1542	DR1542 SD	DGI-1542	3	PWCW SHELF 3/4	PWCW SHELF PLY
	2	DR1242 BUTT	DR1242 BUTT SD	DGI-1242 BUTT			
WALL EASY REACH							
WER2430	1	DR1230 WER DRILL	-	-	2	WER SHELF 3/4	WER SHELF PLY
	1	DR1230 WER ND	-	-			
WER2436	1	DR1236 WER DRILL	-	-	2	WER SHELF 3/4	WER SHELF PLY
	1	DR1236 WER ND	-	-			
WER2439	1	DR1239 WER DRILL	-	-	3	WER SHELF 3/4	WER SHELF PLY
	1	DR1239 WER ND	-	-			
WER2442	1	DR1242 WER DRILL	-	-	3	WER SHELF 3/4	WER SHELF PLY
	1	DR1242 WER ND	-	-			

SKU	QTY	DOOR / SPECIALTY DOOR		GLASS INSERT	QTY	ADJUSTABLE SHELF	
		PART NAME	PART NAME	PART NAME		essential & select 60, 61, 63, 64, 66, 67	luxury 62, 65, 68
						*PART NAME	*PART NAME
WALL REFRIGERATOR - 12" HIGH X 24" DEEP							
W3012 X 24 DP BUTT	2	DR1512 BUTT	DR1512 BUTT SD	DGI-1512 BUTT	-	N/A	N/A
W3312 X 24 DP BUTT	2	DR1612 BUTT	DR1612 BUTT SD	DGI-1612 BUTT	-	N/A	N/A
W3612 X 24 DP BUTT	2	DR1812 BUTT	DR1812 BUTT SD	DGI-1812 BUTT	-	N/A	N/A
W3912 X 24 DP	2	DR1912	DR1912 SD	DGI-1912	-	N/A	N/A
WALL REFRIGERATOR - 15" HIGH X 24" DEEP							
W3015 X 24 DP BUTT	2	DR1515 BUTT	DR1515 BUTT SD	DGI-1515 BUTT	-	N/A	N/A
W3315 X 24 DP BUTT	2	DR1615 BUTT	DR1615 BUTT SD	DGI-1615 BUTT	-	N/A	N/A
W3615 X 24 DP BUTT	2	DR1815 BUTT	DR1815 BUTT SD	DGI-1815 BUTT	-	N/A	N/A
W3915 X 24 DP	2	DR1915	DR1915 SD	DGI-1915	-	N/A	N/A
WALL REFRIGERATOR - 18" HIGH X 24" DEEP							
W3018 X 24 DP BUTT	2	DR1518 BUTT	DR1518 BUTT SD	DGI-1518 BUTT	-	N/A	N/A
W3318 X 24 DP BUTT	2	DR1618 BUTT	DR1618 BUTT SD	DGI-1618 BUTT	-	N/A	N/A
W3618 X 24 DP BUTT	2	DR1818 BUTT	DR1818 BUTT SD	DGI-1818 BUTT	-	N/A	N/A
W3918 X 24 DP	2	DR1918	DR1918 SD	DGI-1918	-	N/A	N/A
WALL REFRIGERATOR - 21" HIGH X 24" DEEP							
W3021 X 24 DP BUTT	2	DR1521 BUTT	DR1521 BUTT SD	DGI-1521	-	N/A	N/A
W3321 X 24 DP BUTT	2	DR1621 BUTT	DR1621 BUTT SD	DGI-1621	-	N/A	N/A
W3621 X 24 DP BUTT	2	DR1821 BUTT	DR1821 BUTT SD	DGI-1821	-	N/A	N/A
W3921 X 24DP	2	DR1921	DR1921 SD	DGI-1921	-	N/A	N/A
WALL REFRIGERATOR - 24" HIGH X 24" DEEP							
W3024 X 24 DP BUTT	2	DR1524 BUTT	DR1524 BUTT SD	DGI-1524 BUTT	1	30" SHELF 24DP 3/4	30" SHELF 24DP PLY
W3324 X 24 DP BUTT	2	DR1624 BUTT	DR1624 BUTT SD	DGI-1624 BUTT	1	33" SHELF 24DP 3/4	33" SHELF 24DP PLY
W3624 X 24 DP BUTT	2	DR1824 BUTT	DR1824 BUTT SD	DGI-1824 BUTT	1	36" SHELF 24DP 3/4	36" SHELF 24DP PLY
WALL REFRIGERATOR - 27" HIGH X 24" DEEP							
W3027 X 24 DP BUTT	2	DR1527 BUTT	DR1527 BUTT SD	DGI-1527	1	30" SHELF 24DP 3/4	30" SHELF 24DP PLY
COMPACT WALL MICROWAVE							
WCMS241236 BUTT	2	DR1218 BUTT	-	-	-	N/A	N/A
WCMS271236 BUTT	2	DR1318 BUTT	-	-	-	N/A	N/A
WALL MICROWAVE - 36" HIGH							
WMC271836 BUTT	2	DR1315 BUTT	-	-	-	N/A	N/A
WMC272136 BUTT	2	DR1315 BUTT	-	-	-	N/A	N/A
WMC301836 BUTT	2	DR1515 BUTT	-	-	-	N/A	N/A
WMC302136 BUTT	2	DR1515 BUTT	-	-	-	N/A	N/A
WALL MICROWAVE - 36" HIGH							
WMS271236 BUTT	2	DR1315 BUTT	-	-	-	N/A	N/A
WMS271836 BUTT	2	DR1315 BUTT	-	-	-	N/A	N/A
WMS301236 BUTT	2	DR1515 BUTT	-	-	-	N/A	N/A
WALL MICROWAVE - 39" HIGH							
WMC271839 BUTT	2	DR1318 BUTT	-	-	-	N/A	N/A
WMC272139 BUTT	2	DR1318 BUTT	-	-	-	N/A	N/A
WMC301839 BUTT	2	DR1518 BUTT	-	-	-	N/A	N/A
WMC302139 BUTT	2	DR1518 BUTT	-	-	-	N/A	N/A
WALL MICROWAVE - 42" HIGH							
WMC301842 BUTT	2	DR1521 BUTT	-	-	-	N/A	N/A
WMC302142 BUTT	2	DR1521 BUTT	-	-	-	N/A	N/A
WALL MICROWAVE - 42" HIGH							
WMS271842 BUTT	2	DR1324 BUTT	-	-	1	WMS2718 TOP SHELF	WMS2718 TOPSHELFPLY
WALL RANGE HOOD - 24" HIGH							
WRH3024 _V	2	DR1515 BUTT	-	-	-	N/A	N/A
WRH3624 _V	2	DR1815 BUTT	-	-	-	N/A	N/A
WALL RANGE HOOD - 27" HIGH							
WRH3027 _V	2	DR1518 BUTT	-	-	-	N/A	N/A
WRH3627 _V	2	DR1818 BUTT	-	-	-	N/A	N/A
WALL RANGE HOOD - 30" HIGH							
WRH3030 _V	2	DR1521 BUTT	-	-	-	N/A	N/A
WRH3630 _V	2	DR1821 BUTT	-	-	-	N/A	N/A

*For Matching Interior Adjustable Shelf, refer to Parts Directory Legend

SKU	QTY	DRAWER FRONT	DRAWER BODY	
		PART NAME	essential 60, 63, 66	select & luxury 61, 62, 64, 65, 67, 68
			PART NAME	PART NAME
FURNITURE DRAWER • 12" DEEP • 6" HIGH				
FD121206	1	DDF12	DRB12 X 9DP DT SG	DRB12 X 9DP DT FD
FD151206	1	DDF15	DRB15 X 9DP DT SG	DRB15 X 9DP DT FD
FD181206	1	DDF18	DRB18 X 9DP DT SG	DRB18 X 9DP DT FD
FD211206	1	DDF21	DRB21 X 9DP DT SG	DRB21 X 9DP DT FD
FD241206	1	DDF24	DRB24 X 9DP DT SG	DRB24 X 9DP DT FD
FD271206	1	DDF27	DRB27 X 9DP DT SG	DRB27 X 9DP DT FD
FD301206	1	DDF30	DRB30 X 9DP DT SG	DRB30 X 9DP DT FD
FD331206	1	DDF33	DRB33 X 9DP DT SG	DRB33 X 9DP DT FD
FD361206	1	DDF36	DRB36 X 9DP DT SG	DRB36 X 9DP DT FD
FURNITURE DRAWER • 24" DEEP • 6" HIGH				
FD122406	1	DDF12	DRB12 X 21DP DT SG	DRB12 X 21DP DT FD
FD152406	1	DDF15	DRB15 X 21DP DT SG	DRB15 X 21DP DT FD
FD182406	1	DDF18	DRB18 X 21DP DT SG	DRB18 X 21DP DT FD
FD212406	1	DDF21	DRB21 X 21DP DT SG	DRB21 X 21DP DT FD
FD242406	1	DDF24	DRB24 X 21DP DT SG	DRB24 X 21DP DT FD
FD272406	1	DDF27	DRB27 X 21DP DT SG	DRB27 X 21DP DT FD
FD302406	1	DDF30	DRB30 X 21DP DT SG	DRB30 X 21DP DT FD
FD332406	1	DDF33	DRB33 X 21DP DT SG	DRB33 X 21DP DT FD
FD362406	1	DDF36	DRB36 X 21DP DT SG	DRB36 X 21DP DT FD
FURNITURE DRAWER • 12" DEEP • 12" HIGH				
FD121212	1	DDF12M	DRB12M X 9DP DT SG	DRB12M X 9DP DT FD
FD151212	1	DDF15M	DRB15M X 9DP DT SG	DRB15M X 9DP DT FD
FD181212	1	DDF18M	DRB18M X 9DP DT SG	DRB18M X 9DP DT FD
FD211212	1	DDF21M	DRB21M X 9DP DT SG	DRB21M X 9DP DT FD
FD241212	1	DDF24M	DRB24M X 9DP DT SG	DRB24M X 9DP DT FD
FD271212	1	DDF27M	DRB27M X 9DP DT SG	DRB27M X 9DP DT FD
FD301212	1	DDF30M	DRB30M X 9DP DT SG	DRB30M X 9DP DT FD
FD331212	1	DDF33M	DRB33M X 9DP DT SG	DRB33M X 9DP DT FD
FD361212	1	DDF36M	DRB36M X 9DP DT SG	DRB36M X 9DP DT FD
FURNITURE DRAWER • 24" DEEP • 12" HIGH				
FD122412	1	DDF12M	DRB12M X 21DP DT SG	DRB12M X 21DP DT FD
FD152412	1	DDF15M	DRB15M X 21DP DT SG	DRB15M X 21DP DT FD
FD182412	1	DDF18M	DRB18M X 21DP DT SG	DRB18M X 21DP DT FD
FD212412	1	DDF21M	DRB21M X 21DP DT SG	DRB21M X 21DP DT FD
FD242412	1	DDF24M	DRB24M X 21DP DT SG	DRB24M X 21DP DT FD
FD272412	1	DDF27M	DRB27M X 21DP DT SG	DRB27M X 21DP DT FD
FD302412	1	DDF30M	DRB30M X 21DP DT SG	DRB30M X 21DP DT FD
FD332412	1	DDF33M	DRB33M X 21DP DT SG	DRB33M X 21DP DT FD
FD362412	1	DDF36M	DRB36M X 21DP DT SG	DRB36M X 21DP DT FD
PEDESTAL DRAWER				
PD1217 1DWR	1	DDF12M	DRB12M X 21DP DT SG	DRB12M X 21DP DT FD
PD1517 1DWR	1	DDF15M	DRB15M X 21DP DT SG	DRB15M X 21DP DT FD
PD1817 1DWR	1	DDF18M	DRB18M X 21DP DT SG	DRB18M X 21DP DT FD
PD2117 1DWR	1	DDF21M	DRB21M X 21DP DT SG	DRB21M X 21DP DT FD
PD2417 1DWR	1	DDF24M	DRB24M X 21DP DT SG	DRB24M X 21DP DT FD
PD2717 1DWR	1	DDF27M	DRB27M X 21DP DT SG	DRB27M X 21DP DT FD
PD3017 1DWR	1	DDF30M	DRB30M X 21DP DT SG	DRB30M X 21DP DT FD
PD3317 1DWR	1	DDF33M	DRB33M X 21DP DT SG	DRB33M X 21DP DT FD
PD3617 1DWR	1	DDF36M	DRB36M X 21DP DT SG	DRB36M X 21DP DT FD

SKU	QTY	DOOR		ADJUSTABLE SHELF, DROT AND/OR ACCESSORY		
		PART NAME	QTY	essential 60, 63, 66	select 61, 64, 67	luxury 62, 65, 68
				*PART NAME	*PART NAME	*PART NAME
STANDARD BASE						
B12	1	DR1224	1	12" SHELF 3/4	12" SHELF 24DP 3/4	12" SHELF 24DP PLY
B15	1	DR1524	1	15" SHELF 3/4	15" SHELF 24DP 3/4	15" SHELF 24DP PLY
B18	1	DR1824	1	18" SHELF 3/4	18" SHELF 24DP 3/4	18" SHELF 24DP PLY
B21	1	DR2124	1	21" SHELF 3/4	21" SHELF 24DP 3/4	21" SHELF 24DP PLY
B24	1	DR2424	1	24" SHELF 3/4	24" SHELF 24DP 3/4	24" SHELF 24DP PLY
B24 BUTT	2	DR1224 BUTT	1	24" SHELF 3/4	24" SHELF 24DP 3/4	24" SHELF 24DP PLY
B27 BUTT	2	DR1324 BUTT	1	27" SHELF 3/4	27" SHELF 24DP 3/4	27" SHELF 24DP PLY
B30 BUTT	2	DR1524 BUTT	1	30" SHELF 3/4	30" SHELF 24DP 3/4	30" SHELF 24DP PLY
B33 BUTT	2	DR1624 BUTT	1	33" SHELF 3/4	33" SHELF 24DP 3/4	33" SHELF 24DP PLY
B36 1TD BUTT	2	DR1824 BUTT	1	36" SHELF 3/4	36" SHELF 24DP 3/4	36" SHELF 24DP PLY
B39	2	DR1924	1	39" SHELF 3/4	39" SHELF 24DP 3/4	39" SHELF 24DP PLY
B42	2	DR2124	1	42" SHELF 3/4	42" SHELF 24DP 3/4	42" SHELF 24DP PLY
B45	3	DR1524	1	45" SHELF 3/4	45" SHELF 24DP 3/4	45" SHELF 24DP PLY
B48	2	DR2424	1	48" SHELF 3/4	48" SHELF 24DP 3/4	48" SHELF 24DP PLY
BASE WITH TWO DEEP ROLL OUT TRAYS						
B12 2FWT	1	DR1224	2	DROT12	DROT12	DROT12
B15 2FWT	1	DR1524	2	DROT15	DROT15	DROT15
B18 2FWT	1	DR1824	2	DROT18	DROT18	DROT18
B21 2FWT	1	DR2124	2	DROT21	DROT21	DROT21
B24 2FWT	1	DR2424	2	DROT24	DROT24	DROT24
B24 2FWT BUTT	2	DR1224 BUTT	2	DROT24	DROT24	DROT24
B27 2FWT BUTT	2	DR1324 BUTT	2	DROT27	DROT27	DROT27
B30 2FWT BUTT	2	DR1524 BUTT	2	DROT30	DROT30	DROT30
B33 2FWT BUTT	2	DR1624 BUTT	2	DROT33	DROT33	DROT33
B36 1TD 2FWT BUTT	2	DR1824 BUTT	2	DROT36	DROT36	DROT36
BASE WITH DOOR ACCESSORY						
B15 PBDSU	1	DR1524	1	15" SHELF 3/4	15" SHELF 24DP 3/4	15" SHELF 24DP PLY
B18 PBDSU	1	DR1824	1	18" SHELF 3/4	18" SHELF 24DP 3/4	18" SHELF 24DP PLY
B18 CBDR	1	DR1824	1	18" SHELF 3/4	18" SHELF 24DP 3/4	18" SHELF 24DP PLY
BASE WITH ROLL OUT TRAY DIVIDER						
B12 ROTD	1	DR1224	1	ROTDK12	ROTDK12	ROTDK12
B15 ROTD	1	DR1524	1	ROTDK15	ROTDK15	ROTDK15
BASE WITH BOTTOM MOUNT WASTEBASKET(S)						
BWBB15	1	DR1524 ND	1	BWBB15 FOL KIT	BWBB15 FOL KIT	BWBB15 FOL KIT
BWBB15-2	1	DR1524 ND	1	BWBB15-2 FOL KIT	BWBB15-2 FOL KIT	BWBB15-2 FOL KIT
BWBB18-2	1	DR1824 ND	1	BWBB18-2 FOL KIT	BWBB18-2 FOL KIT	BWBB18-2 FOL KIT
BWBB21-2	1	DR2124 ND	1	BWBB21-2 FOL KIT	BWBB21-2 FOL KIT	BWBB21-2 FOL KIT
BASE POT AND PAN ORGANIZER CABINET						
B24 BPPO	1	DR2424	1	BPPOK24	BPPOK24	BPPOK24
B24 BUTT BPPO	2	DR1224 BUTT	1	BPPOK24	BPPOK24	BPPOK24
B27 BUTT BPPO	2	DR1324 BUTT	1	BPPOK27	BPPOK27	BPPOK27
B30 BUTT BPPO	2	DR1524 BUTT	1	BPPOK30	BPPOK30	BPPOK30
B33 BUTT BPPO	2	DR1624 BUTT	1	BPPOK33	BPPOK33	BPPOK33
B36 1TD BUTT BPPO	2	DR1824 BUTT	1	BPPOK36	BPPOK36	BPPOK36
PENINSULA BASE						
PB12	2	DR1224	1	12" SHELF PB 3/4	12" SHELF PB 3/4	12" SHELF PB PLY
PB18	2	DR1824	1	18" SHELF PB 3/4	18" SHELF PB 3/4	18" SHELF PB PLY
PB24	2	DR2424	1	24" SHELF PB 3/4	24" SHELF PB 3/4	24" SHELF PB PLY
PB24 BUTT	4	DR1224 BUTT	1	24" SHELF PB 3/4	24" SHELF PB 3/4	24" SHELF PB PLY
PB30 BUTT	4	DR1524 BUTT	1	30" SHELF PB 3/4	30" SHELF PB 3/4	30" SHELF PB PLY
PB36 1TD BUTT	4	DR1824 BUTT	1	36" SHELF PB 3/4	36" SHELF PB 3/4	36" SHELF PB PLY
PB42	4	DR2124	1	42" SHELF PB 3/4	42" SHELF PB 3/4	42" SHELF PB PLY

SKU	QTY	DRAWER / PANEL FRONT		DRAWER BODY	
		PART NAME	QTY	essential 60, 63, 66	select & luxury 61, 62, 64, 65, 67, 68
				PART NAME	PART NAME
STANDARD BASE					
B12	1	DDF12	1	DRB12 X 18DP DT SG	DRB12 X 21DP DT FD
B15	1	DDF15	1	DRB15 X 18DP DT SG	DRB15 X 21DP DT FD
B18	1	DDF18	1	DRB18 X 18DP DT SG	DRB18 X 21DP DT FD
B21	1	DDF21	1	DRB21 X 18DP DT SG	DRB21 X 21DP DT FD
B24	1	DDF24	1	DRB24 X 18DP DT SG	DRB24 X 21DP DT FD
B24 BUTT	1	DDF24	1	DRB24 X 18DP DT SG	DRB24 X 21DP DT FD
B27 BUTT	1	DDF27	1	DRB27 X 18DP DT SG	DRB27 X 21DP DT FD
B30 BUTT	1	DDF30	1	DRB30 X 18DP DT SG	DRB30 X 21DP DT FD
B33 BUTT	1	DDF33	1	DRB33 X 18DP DT SG	DRB33 X 21DP DT FD
B36 1TD BUTT	1	DDF36	1	DRB36 X 18DP DT SG	DRB36 X 21DP DT FD
B39	2	DDF19	2	DRB19 X 18DP DT SG	DRB19 X 21DP DT FD
B42	2	DDF21	2	DRB21 X 18DP DT SG	DRB21 X 21DP DT FD
B45	3	DDF15	3	DRB15 X 18DP DT SG	DRB15 X 21DP DT FD
B48	2	DDF24	2	DRB24 X 18DP DT SG	DRB24 X 21DP DT FD
BASE WITH TWO DEEP ROLL OUT TRAYS					
B12 2FWT	1	DDF12	1	DRB12 X 18DP DT SG	DRB12 X 21DP DT FD
B15 2FWT	1	DDF15	1	DRB15 X 18DP DT SG	DRB15 X 21DP DT FD
B18 2FWT	1	DDF18	1	DRB18 X 18DP DT SG	DRB18 X 21DP DT FD
B21 2FWT	1	DDF21	1	DRB21 X 18DP DT SG	DRB21 X 21DP DT FD
B24 2FWT	1	DDF24	1	DRB24 X 18DP DT SG	DRB24 X 21DP DT FD
B24 2FWT BUTT	1	DDF24	1	DRB24 X 18DP DT SG	DRB24 X 21DP DT FD
B27 2FWT BUTT	1	DDF27	1	DRB27 X 18DP DT SG	DRB27 X 21DP DT FD
B30 2FWT BUTT	1	DDF30	1	DRB30 X 18DP DT SG	DRB30 X 21DP DT FD
B33 2FWT BUTT	1	DDF33	1	DRB33 X 18DP DT SG	DRB33 X 21DP DT FD
B36 1TD 2FWT BUTT	1	DDF36	1	DRB36 X 18DP DT SG	DRB36 X 21DP DT FD
BASE WITH DOOR ACCESSORY					
B15 PBDSU	1	DDF15	1	DRB15 X 18DP DT SG	DRB15 X 21DP DT FD
B18 PBDSU	1	DDF18	1	DRB18 X 18DP DT SG	DRB18 X 21DP DT FD
B18 CBDR	1	DDF18	1	DRB18 X 18DP DT SG	DRB18 X 21DP DT FD
BASE WITH ROLL OUT TRAY DIVIDER					
B12 ROTD	1	DDF12	1	DRB12 X 18DP DT SG	DRB12 X 21DP DT FD
B15 ROTD	1	DDF15	1	DRB15 X 18DP DT SG	DRB15 X 21DP DT FD
BASE WITH BOTTOM MOUNT WASTEBASKET(S)					
BWBB15	1	DDF15	1	DRB15 X 21DP DT SG	DRB15 X 21DP DT FD
BWBB15-2	1	DDF15	1	DRB15 X 21DP DT SG	DRB15 X 21DP DT FD
BWBB18-2	1	DDF18	1	DRB18 X 21DP DT SG	DRB18 X 21DP DT FD
BWBB21-2	1	DDF21	1	DRB21 X 21DP DT SG	DRB21 X 21DP DT FD
BASE POT AND PAN ORGANIZER CABINET					
B24 BPP0	1	DDF24	1	DRB24 X 18DP DT SG	DRB24 X 21DP DT FD
B24 BUTT BPP0	1	DDF24	1	DRB24 X 18DP DT SG	DRB24 X 21DP DT FD
B27 BUTT BPP0	1	DDF27	1	DRB27 X 18DP DT SG	DRB27 X 21DP DT FD
B30 BUTT BPP0	1	DDF30	1	DRB30 X 18DP DT SG	DRB30 X 21DP DT FD
B33 BUTT BPP0	1	DDF33	1	DRB33 X 18DP DT SG	DRB33 X 21DP DT FD
B36 1TD BUTT BPP0	1	DDF36	1	DRB36 X 18DP DT SG	DRB36 X 21DP DT FD
PENINSULA BASE					
PB12	2	DDF12	1	DRB12 X 18DP DT SG	DRB12 X 21DP DT FD
PB18	2	DDF18	1	DRB18 X 18DP DT SG	DRB18 X 21DP DT FD
PB24	2	DDF24	1	DRB24 X 18DP DT SG	DRB24 X 21DP DT FD
PB24 BUTT	2	DDF24	1	DRB24 X 18DP DT SG	DRB24 X 21DP DT FD
PB30 BUTT	2	DDF30	1	DRB30 X 18DP DT SG	DRB30 X 21DP DT FD
PB36 1TD	2	DDF36	1	DRB36 X 18DP DT SG	DRB36 X 21DP DT FD
PB42	4	DDF21	1	DRB21 X 18DP DT SG	DRB21 X 21DP DT FD

SKU	QTY	DOOR		ADJUSTABLE SHELF, DROT AND/OR ACCESSORY		
		PART NAME	QTY	essential 60, 63, 66	select 61, 64, 67	luxury 62, 65, 68
				*PART NAME	*PART NAME	*PART NAME
STANDARD BASE WITH CUTLERY DIVIDER						
B15 CD	1	DR1524	1	15" SHELF 3/4	15" SHELF 24DP 3/4	15" SHELF 24DP PLY
B18 CD	1	DR1824	1	18" SHELF 3/4	18" SHELF 24DP 3/4	18" SHELF 24DP PLY
B21 CD	1	DR2124	1	21" SHELF 3/4	21" SHELF 24DP 3/4	21" SHELF 24DP PLY
B24 CD	1	DR2424	1	24" SHELF 3/4	24" SHELF 24DP 3/4	24" SHELF 24DP PLY
B24 BUTT CD	2	DR1224 BUTT	1	24" SHELF 3/4	24" SHELF 24DP 3/4	24" SHELF 24DP PLY
BASE WITH TWO DEEP ROLL OUT TRAYS AND CUTLERY DIVIDER						
B15 2FWT CD	1	DR1524	2	DROT15	DROT15	DROT15
B18 2FWT CD	1	DR1824	2	DROT18	DROT18	DROT18
B21 2FWT CD	1	DR2124	2	DROT21	DROT21	DROT21
B24 2FWT CD	1	DR2424	2	DROT24	DROT24	DROT24
B24 2FWT BUTT CD	2	DR1224 BUTT	2	DROT24	DROT24	DROT24
STANDARD BASE WITH WOOD TIERED CUTLERY DIVIDER						
B15 WTCD	1	DR1524	1	15" SHELF 3/4	15" SHELF 24DP 3/4	15" SHELF 24DP PLY
B18 WTCD	1	DR1824	1	18" SHELF 3/4	18" SHELF 24DP 3/4	18" SHELF 24DP PLY
B21 WTCD	1	DR2124	1	21" SHELF 3/4	21" SHELF 24DP 3/4	21" SHELF 24DP PLY
B24 WTCD	1	DR2424	1	24" SHELF 3/4	24" SHELF 24DP 3/4	24" SHELF 24DP PLY
B24 BUTT WTCD	2	DR1224 BUTT	1	24" SHELF 3/4	24" SHELF 24DP 3/4	24" SHELF 24DP PLY
BASE WITH TWO DEEP ROLL OUT TRAYS AND WOOD TIERED CUTLERY DIVIDER						
B15 2FWT WTCD	1	DR1524	2	DROT15	DROT15	DROT15
B18 2FWT WTCD	1	DR1824	2	DROT18	DROT18	DROT18
B21 2FWT WTCD	1	DR2124	2	DROT21	DROT21	DROT21
B24 2FWT WTCD	1	DR2424	2	DROT24	DROT24	DROT24
B24 2FWT BUTT WTCD	2	DR1224 BUTT	2	DROT24	DROT24	DROT24
BLIND CORNER						
BLB36/39	1	DR1224	1	27" SHELF 3/4	27" SHELF 24DP 3/4	27" SHELF 24DP PLY
BLB39/42	1	DR1524	1	33" SHELF 3/4	33" SHELF 24DP 3/4	33" SHELF 24DP PLY
BLB42/45	1	DR1824	1	39" SHELF 3/4	39" SHELF 24DP 3/4	39" SHELF 24DP PLY
BLB45/48	1	DR2124	1	45" SHELF 3/4	45" SHELF 24DP 3/4	45" SHELF 24DP PLY
BLB48/51	1	DR2124	1	48" SHELF 3/4	48" SHELF 24DP 3/4	48" SHELF 24DP PLY
BLIND PENINSULA CORNER						
PBC24	1	DR2424	1	24" SHELF PB 3/4	24" SHELF PB 3/4	24" SHELF PB PLY
PBC24 BUTT	2	DR1224 BUTT	1	24" SHELF PB 3/4	24" SHELF PB 3/4	24" SHELF PB PLY
DESK DOOR - 21" DEEP						
DD01221	1	DR1218	1	12" SHELF 3/4	12" SHELF 21DP 3/4	12" SHELF 21DP PLY
DD01521	1	DR1518	1	15" SHELF 3/4	15" SHELF 21DP 3/4	15" SHELF 21DP PLY
DD01821	1	DR1818	1	18" SHELF 3/4	18" SHELF 21DP 3/4	18" SHELF 21DP PLY
DD02121	1	DR2118	1	21" SHELF 3/4	21" SHELF 21DP 3/4	21" SHELF 21DP PLY
DD02421 BUTT	2	DR1218 BUTT	1	24" SHELF 3/4	24" SHELF 21DP 3/4	24" SHELF 21DP PLY
DESK DOOR - 24" DEEP						
DD01224	1	DR1218	1	12" SHELF 3/4	12" SHELF 24DP 3/4	12" SHELF 24DP PLY
DD01524	1	DR1518	1	15" SHELF 3/4	15" SHELF 24DP 3/4	15" SHELF 24DP PLY
DD01824	1	DR1818	1	18" SHELF 3/4	18" SHELF 24DP 3/4	18" SHELF 24DP PLY
DD02124	1	DR2118	1	21" SHELF 3/4	21" SHELF 24DP 3/4	21" SHELF 24DP PLY
DD02424 BUTT	2	DR1218 BUTT	1	24" SHELF 3/4	24" SHELF 24DP 3/4	24" SHELF 24DP PLY

SKU	QTY	DRAWER / PANEL FRONT		DRAWER BODY / ACCESSORY	
		PART NAME	QTY	essential 60, 63, 66	select & luxury 61, 62, 64, 65, 67, 68
				PART NAME	PART NAME
STANDARD BASE WITH CUTLERY DIVIDER					
B15 CD	1	DDF15	1	DRB15 X 21DP DT FD	DRB15 X 21DP DT FD
B18 CD	1	DDF18	1	DRB18 X 21DP DT FD	DRB18 X 21DP DT FD
B21 CD	1	DDF21	1	DRB21 X 21DP DT FD	DRB21 X 21DP DT FD
B24 CD	1	DDF24	1	DRB24 X 21DP DT FD	DRB24 X 21DP DT FD
B24 BUTT CD	1	DDF24	1	DRB24 X 21DP DT FD	DRB24 X 21DP DT FD
BASE WITH TWO DEEP ROLL OUT TRAYS AND CUTLERY DIVIDER					
B15 2FWT CD	1	DDF15	1	DRB15 X 21DP DT FD	DRB15 X 21DP DT FD
B18 2FWT CD	1	DDF18	1	DRB18 X 21DP DT FD	DRB18 X 21DP DT FD
B21 2FWT CD	1	DDF21	1	DRB21 X 21DP DT FD	DRB21 X 21DP DT FD
B24 2FWT CD	1	DDF24	1	DRB24 X 21DP DT FD	DRB24 X 21DP DT FD
B24 2FWT BUTT CD	1	DDF24	1	DRB24 X 21DP DT FD	DRB24 X 21DP DT FD
STANDARD BASE WITH WOOD TIERED CUTLERY DIVIDER					
B15 WTCD	1	DDF15	1	WTCDK15	WTCDKHG15
B18 WTCD	1	DDF18	1	WTCDK18	WTCDKHG18
B21 WTCD	1	DDF21	1	WTCDK21	WTCDKHG21
B24 WTCD	1	DDF24	1	WTCDK24	WTCDKHG24
B24 BUTT WTCD	1	DDF24	1	WTCDK24	WTCDKHG24
BASE WITH TWO DEEP ROLL OUT TRAYS AND WOOD TIERED CUTLERY DIVIDER					
B15 2FWT WTCD	1	DDF15	1	WTCDK15	WTCDKHG15
B18 2FWT WTCD	1	DDF18	1	WTCDK18	WTCDKHG18
B21 2FWT WTCD	1	DDF21	1	WTCDK21	WTCDKHG21
B24 2FWT WTCD	1	DDF24	1	WTCDK24	WTCDKHG24
B24 2FWT BUTT WTCD	1	DDF24	1	WTCDK24	WTCDKHG24
BLIND CORNER					
BLB36/39	1	DDF12	1	DRB12 X 18DP DT SG	DRB12 X 21DP DT FD
BLB39/42	1	DDF15	1	DRB15 X 18DP DT SG	DRB15 X 21DP DT FD
BLB42/45	1	DDF18	1	DRB18 X 18DP DT SG	DRB18 X 21DP DT FD
BLB45/48	1	DDF21	1	DRB21 X 18DP DT SG	DRB21 X 21DP DT FD
BLB48/51	1	DDF21	1	DRB21 X 18DP DT SG	DRB21 X 21DP DT FD
BLIND PENINSULA CORNER					
PBC24	1	DDF24	1	DRB24 X 18DP DT SG	DRB24 X 21DP DT FD
PBC24 BUTT	1	DDF24	1	DRB24 X 18DP DT SG	DRB24 X 21DP DT FD
DESK DOOR - 21" DEEP					
DD01221	1	DDF12	1	DRB12 X 18DP DT SG	DRB12 X 21DP DT FD
DD01521	1	DDF15	1	DRB15 X 18DP DT SG	DRB15 X 21DP DT FD
DD01821	1	DDF18	1	DRB18 X 18DP DT SG	DRB18 X 21DP DT FD
DD02121	1	DDF21	1	DRB21 X 18DP DT SG	DRB21 X 21DP DT FD
DD02421 BUTT	1	DDF24	1	DRB24 X 18DP DT SG	DRB24 X 21DP DT FD
DESK DOOR - 24" DEEP					
DD01224	1	DDF12	1	DRB12 X 18DP DT SG	DRB12 X 21DP DT FD
DD01524	1	DDF15	1	DRB15 X 18DP DT SG	DRB15 X 21DP DT FD
DD01824	1	DDF18	1	DRB18 X 18DP DT SG	DRB18 X 21DP DT FD
DD02124	1	DDF21	1	DRB21 X 18DP DT SG	DRB21 X 21DP DT FD
DD02424 BUTT	1	DDF24	1	DRB24 X 18DP DT SG	DRB24 X 21DP DT FD

SKU	QTY	DOOR		ADJUSTABLE SHELF, DROT AND/OR ACCESSORY	
		PART NAME	QTY	essential & select 60, 61, 63, 64, 66, 67	luxury 62, 65, 68
				*PART NAME	*PART NAME
FULL-HEIGHT BASE					
TB9	1	DR9FH		N/A	N/A
B12 FH	1	DR12FH	1	12" SHELF 3/4	12" SHELF 24DP PLY
B15 FH	1	DR15FH	1	15" SHELF 3/4	15" SHELF 24DP PLY
B18 FH	1	DR18FH	1	18" SHELF 3/4	18" SHELF 24DP PLY
B21 FH	1	DR21FH	1	21" SHELF 3/4	21" SHELF 24DP PLY
B24 BUTT FH	2	DR12BUTT FH	1	24" SHELF 3/4	24" SHELF 24DP PLY
B30 BUTT FH	2	DR15BUTT FH	1	30" SHELF 3/4	30" SHELF 24DP PLY
B36 BUTT FH	2	DR18BUTT FH	1	36" SHELF 3/4	36" SHELF 24DP PLY
FULL-HEIGHT BASE WITH ACCESSORY					
TB9TDS	1	DR9FH	1	9" SHELF 24DP 3/4	9" SHELF 24DP PLY
BTDP9	1	DR9FH ND	1	BTDP9 KIT	BTDP9 KIT
BPP9	1	DR9FH ND	1	BPP9 KIT	BPP9 KIT
BPP12	1	DR12FH ND	1	BPP12 KIT	BPP12 KIT
BPPUS9	1	DR9FH ND	1	BPPUS9 KIT	BPPUS9 KIT
BPPUS12	1	DR12FH ND	1	BPPUS12 KIT	BPPUS12 KIT
FULL-HEIGHT BASE WITH TWO DEEP ROLL OUT TRAYS					
B18 FH 2FWT	1	DR18FH	2	DROT18	DROT18
B24 BUTT FH 2FWT	2	DR12BUTT FH	2	DROT24	DROT24
B30 BUTT FH 2FWT	2	DR15BUTT FH	2	DROT30	DROT30
FULL-HEIGHT BASE WITH FOUR DEEP ROLL OUT TRAYS					
B18 FH 4FWT	1	DR18FH	4	DROT18	DROT18
B24 BUTT FH 4FWT	2	DR12BUTT FH	4	DROT24	DROT24
B30 BUTT FH 4FWT	2	DR15BUTT FH	4	DROT30	DROT30
FULL-HEIGHT BASE WITH BOTTOM MOUNT WASTEBASKET(S)					
BWBB15 FH	1	DR1524 ND	1	BWBB15 FH FOL KIT	BWBB15 FH FOL KIT
BWBB18 FH	1	DR1824 ND	1	BWBB18 FH FOL KIT	BWBB18 FH FOL KIT
BWBB21-2 FH	1	DR2124 ND	1	BWBB21-2 FH FOL KIT	BWBB21-2 FH FOL KIT
BASE END ANGLE					
BEA12FH	1	DR15FH	1	BEA12 SHELF	BEA12 SHELF PLY
BEA24FH	2	DR18FH	1	BEA SHELF	BEA SHELF PLY
FULL-HEIGHT PENINSULA BASE					
PB12 FH	2	DR12FH	1	12" SHELF PB	12" SHELF PB PLY
PB18 FH	2	DR18FH	1	18" SHELF PB	18" SHELF PB PLY
PB24 BUTT FH	4	DR12BUTT FH	1	24" SHELF PB	24" SHELF PB PLY
PB30 BUTT FH	4	DR15BUTT FH	1	30" SHELF PB	30" SHELF PB PLY
PB36 BUTT FH	4	DR18BUTT FH	1	36" SHELF PB	36" SHELF PB PLY

SKU	QTY	DRAWER FRONT	DRAWER BODY	
		PART NAME	essential 60, 63, 66	select & luxury 61, 62, 64, 65, 67, 68
			PART NAME	PART NAME
DESK FILE PULL OUT CABINET				
DFDC1821	1	DDF18	DRB18 X 18DP DT SG	DRB18 X 21DP DT FD
	1	DR1818 ND	DRB18M X 18DP DT SG	DRB18M X 21DP DT FD
	1		DFDC FILE UNIT 21	DFDC FILE UNIT 21
DFDC1824	1	DDF18	DRB18 X 18DP DT SG	DRB18 X 18DP DT FD
	1	DR1818 ND	DRB18M X 18DP DT SG	DRB18M X 21DP DT FD
	1		DFDC FILE UNIT 24	DFDC FILE UNIT 24
DESK WITH BOTTOM MOUNT WASTEBASKET(S)				
DWBB1821	1	DR1824 ND	DWBB1821 FOL KIT	DWBB1821 FOL KIT
DWBB1824	1	DR1824 ND	DWBB1824 FOL KIT	DWBB1824 FOL KIT
DESK DRAWER BASE CABINET - 21" DEEP				
DDR1221	2	DDF12	DRB12 X 18DP DT SG	DRB12 X 18DP DT FD
	1	DDF12M	DRB12M X 18DP DT SG	DRB12M X 18DP DT FD
DDR1521	2	DDF15	DRB15 X 18DP DT SG	DRB15 X 18DP DT FD
	1	DDF15M	DRB15M X 18DP DT SG	DRB15M X 18DP DT FD
DDR1821	2	DDF18	DRB18 X 18DP DT SG	DRB18 X 18DP DT FD
	1	DDF18M	DRB18M X 18DP DT SG	DRB18M X 18DP DT FD
DDR2121	2	DDF21	DRB21 X 18DP DT SG	DRB21 X 18DP DT FD
	1	DDF21M	DRB21M X 18DP DT SG	DRB21M X 18DP DT FD
DDR2421	2	DDF24	DRB24 X 18DP DT SG	DRB24 X 18DP DT FD
	1	DDF24M	DRB24M X 18DP DT SG	DRB24M X 18DP DT FD
DESK DRAWER BASE CABINET - 24" DEEP				
DDR1224	2	DDF12	DRB12 X 18DP DT SG	DRB12 X 21DP DT FD
	1	DDF12M	DRB12M X 18DP DT SG	DRB12M X 21DP DT FD
DDR1524	2	DDF15	DRB15 X 18DP DT SG	DRB15 X 21DP DT FD
	1	DDF15M	DRB15M X 18DP DT SG	DRB15M X 21DP DT FD
DDR1824	2	DDF18	DRB18 X 18DP DT SG	DRB18 X 21DP DT FD
	1	DDF18M	DRB18M X 18DP DT SG	DRB18M X 21DP DT FD
DDR2124	2	DDF21	DRB21 X 18DP DT SG	DRB21 X 21DP DT FD
	1	DDF21M	DRB21M X 18DP DT SG	DRB21M X 21DP DT FD

SKU	QTY	DRAWER FRONT		DRAWER BODY	
		PART NAME	essential 60, 63, 66	select & luxury 61, 62, 64, 65, 67, 68	
			PART NAME	PART NAME	
TWO DRAWER BASE CABINET					
DB30 2DWR	2	DDF30 2DB	DRB30 HD X 21DPDTFD	DRB30 HD X 21DPDTFD	
DB36 2DWR	2	DDF36 2DB	DRB36 HD X 21DPDTFD	DRB36 HD X 21DPDTFD	
TWO DRAWER BASE CABINET WITH PEG DISH ORGANIZER					
DB30 2DWR PDO	2	DDF30 2DB	DRB30 HD X 21DPDTFD	DRB30 HD X 21DPDTFD	
DB36 2DWR PDO	2	DDF36 2DB	DRB36 HD X 21DPDTFD	DRB36 HD X 21DPDTFD	
TWO DRAWER BASE CABINET WITH SCALLOPED FULL WIDTH TRAY					
DB30 2DWR SFWT	2	DDF30 2DB	DRB30 HD X 21DPDTFD	DRB30 HD X 21DPDTFD	
	1	-	SDROT30	SDROT30	
DB36 2DWR SFWT	2	DDF36 2DB	DRB36 HD X 21DPDTFD	DRB36 HD X 21DPDTFD	
	1	-	SDROT36	SDROT36	
TWO DRAWER BASE CABINET WITH SCALLOPED FULL WIDTH TRAY & PEG DISH ORGANIZER					
DB30 2DWR SFWT PDO	2	DDF30 2DB	DRB30 HD X 21DPDTFD	DRB30 HD X 21DPDTFD	
	1	-	SDROT30	SDROT30	
DB36 2DWR SFWT PDO	2	DDF36 2DB	DRB36 HD X 21DPDTFD	DRB36 HD X 21DPDTFD	
	1	-	SDROT36	SDROT36	
THREE DRAWER BASE CABINET					
DB12	1	DDF12	DRB12 X 18DP DT SG	DRB12 X 21DP DT FD	
	2	DDF12M	DRB12M X 18DP DT SG	DRB12M X 21DP DT FD	
DB15	1	DDF15	DRB15 X 18DP DT SG	DRB15 X 21DP DT FD	
	2	DDF15M	DRB15M X 18DP DT SG	DRB15M X 21DP DT FD	
DB18	1	DDF18	DRB18 X 18DP DT SG	DRB18 X 21DP DT FD	
	2	DDF18M	DRB18M X 18DP DT SG	DRB18M X 21DP DT FD	
DB21	1	DDF21	DRB21 X 18DP DT SG	DRB21 X 21DP DT FD	
	2	DDF21M	DRB21M X 18DP DT SG	DRB21M X 21DP DT FD	
DB24	1	DDF24	DRB24 X 18DP DT SG	DRB24 X 21DP DT FD	
	2	DDF24M	DRB24M X 18DP DT SG	DRB24M X 21DP DT FD	
DB27	1	DDF27	DRB27 X 18DP DT SG	DRB27 X 21DP DT FD	
	2	DDF27M	DRB27M X 18DP DT SG	DRB27M X 21DP DT FD	
DB30	1	DDF30	DRB30 X 18DP DT SG	DRB30 X 21DP DT FD	
	2	DDF30M	DRB30M X 18DP DT SG	DRB30M X 21DP DT FD	
DB33	1	DDF33	DRB33 X 18DP DT SG	DRB33 X 21DP DT FD	
	2	DDF33M	DRB33M X 18DP DT SG	DRB33M X 21DP DT FD	
DB36 1TD	1	DDF36	DRB36 X 18DP DT SG	DRB36 X 21DP DT FD	
	2	DDF36M	DRB36M X 18DP DT SG	DRB36M X 21DP DT FD	
THREE DRAWER BASE CABINET WITH FACTORY INSTALLED CUTLERY DIVIDER					
DB15 CD	1	DDF15	DRB15 X 21DP DT HG	DRB15 X 21DP DT FD	
	2	DDF15M	DRB15M X 18DP DT SG	DRB15M X 21DP DT FD	
DB18 CD	1	DDF18	DRB18 X 21DP DT HG	DRB18 X 21DP DT FD	
	2	DDF18M	DRB18M X 18DP DT SG	DRB18M X 21DP DT FD	
DB21 CD	1	DDF21	DRB21 X 21DP DT HG	DRB21 X 21DP DT FD	
	2	DDF21M	DRB21M X 18DP DT SG	DRB21M X 21DP DT FD	
DB24 CD	1	DDF24	DRB24 X 21DP DT HG	DRB24 X 21DP DT FD	
	2	DDF24M	DRB24M X 18DP DT SG	DRB24M X 21DP DT FD	
THREE DRAWER BASE CABINET WITH FACTORY INSTALLED WOOD TIERED CUTLERY DIVIDER					
DB15 WTCD	1	DDF15	WTCDFD15	WTCDFD15	
	2	DDF15M	DRB15M X 18DP DT SG	DRB15M X 21DP DT FD	
DB18 WTCD	1	DDF18	WTCDFD18	WTCDFD18	
	2	DDF18M	DRB18M X 18DP DT SG	DRB18M X 21DP DT FD	
DB21 WTCD	1	DDF21	WTCDFD21	WTCDFD21	
	2	DDF21M	DRB21M X 18DP DT SG	DRB21M X 21DP DT FD	
DB24 WTCD	1	DDF24	WTCDFD24	WTCDFD24	
	2	DDF24M	DRB24M X 18DP DT SG	DRB24M X 21DP DT FD	

SKU	QTY	DRAWER FRONT		DRAWER BODY	
		PART NAME	essential 60, 63, 66	select & luxury 61, 62, 64, 65, 67, 68	
			PART NAME	PART NAME	PART NAME
FOUR DRAWER BASE CABINET					
DB12 4DWR	3	DDF12	DRB12 X 18DP DT SG	DRB12 X 21DP DT FD	
	1	DDF12M	DRB12M X 18DP DT SG	DRB12M X 21DP DT FD	
DB15 4DWR	3	DDF15	DRB15 X 18DP DT SG	DRB15 X 21DP DT FD	
	1	DDF15M	DRB15M X 18DP DT SG	DRB15M X 21DP DT FD	
DB18 4DWR	3	DDF18	DRB18 X 18DP DT SG	DRB18 X 21DP DT FD	
	1	DDF18M	DRB18M X 18DP DT SG	DRB18M X 21DP DT FD	
DB21 4DWR	3	DDF21	DRB21 X 18DP DT SG	DRB21 X 21DP DT FD	
	1	DDF21M	DRB21M X 18DP DT SG	DRB21M X 21DP DT FD	
DB24 4DWR	3	DDF24	DRB24 X 18DP DT SG	DRB24 X 21DP DT FD	
	1	DDF24M	DRB24M X 18DP DT SG	DRB24M X 21DP DT FD	
DB36	2	DDF18	DRB18 X 18DP DT SG	DRB18 X 21DP DT FD	
	2	DDF36M	DRB36M X 18DP DT SG	DRB36M X 21DP DT FD	
FOUR DRAWER BASE CABINET WITH FACTORY INSTALLED CUTLERY DIVIDER					
DB15 4DWR CD	3	DDF15	DRB15 X 18DP DT SG	DRB15 X 21DP DT FD	
	1	DDF15M	DRB15M X 18DP DT SG	DRB15M X 21DP DT FD	
DB18 4DWR CD	3	DDF18	DRB18 X 18DP DT SG	DRB18 X 21DP DT FD	
	1	DDF18M	DRB18M X 18DP DT SG	DRB18M X 21DP DT FD	
DB21 4DWR CD	3	DDF21	DRB21 X 18DP DT SG	DRB21 X 21DP DT FD	
	1	DDF21M	DRB21M X 18DP DT SG	DRB21M X 21DP DT FD	
DB24 4DWR CD	3	DDF24	DRB24 X 18DP DT SG	DRB24 X 21DP DT FD	
	1	DDF24M	DRB24M X 18DP DT SG	DRB24M X 21DP DT FD	
FOUR DRAWER BASE CABINET WITH FACTORY INSTALLED WOOD TIERED CUTLERY DIVIDER					
DB15 4DWR WTCD	1	DDF15	WTCDK15	WTCDKFD15	
	2	DDF15	DRB15 X 18DP DT SG	DRB15 X 21DP DT FD	
	1	DDF15M	DRB15M X 18DP DT SG	DRB15M X 21DP DT FD	
DB18 4DWR WTCD	1	DDF18	WTCDK18	WTCDKFD18	
	2	DDF18	DRB18 X 18DP DT SG	DRB18 X 21DP DT FD	
	1	DDF18M	DRB18M X 18DP DT SG	DRB18M X 21DP DT FD	
DB21 4DWR WTCD	1	DDF21	WTCDK21	WTCDKFD21	
	2	DDF21	DRB21 X 18DP DT SG	DRB21 X 21DP DT FD	
	1	DDF21M	DRB21M X 18DP DT SG	DRB21M X 21DP DT FD	
DB24 4DWR WTCD	1	DDF24	WTCDK24	WTCDKFD24	
	2	DDF24	DRB24X 18DP DT SG	DRB24 X 21DP DT FD	
	1	DDF24M	DRB24M X 18DP DT SG	DRB24M X 21DP DT FD	
BASE MICROWAVE CABINET					
BMC24	2	DDF24	DRB24 X 18DP DT SG	DRB24 X 21DP DT FD	
BMC27	2	DDF27	DRB27 X 18DP DT SG	DRB27 X 21DP DT FD	
BMC30	2	DDF30	DRB30 X 18DP DT SG	DRB30 X 21DP DT FD	
KNEEHOLE DRAWER CABINET					
KDC27/21	1	DDFKDC27/21	DRBKDC27X 15DP DT SG	DRBKDC27X 15DP DT FD	
KDC33/27	1	DDFKDC33/27	DRBKDC33X 15DP DT SG	DRBKDC33X 15DP DT FD	
KDC36/33	1	DDFKDC36/33	DRBKDC36X 15DP DT SG	DRBKDC36X 15DP DT FD	
BASE SPICE DRAWER CABINET					
BSDC6	5	DDF SDC	DRB6 BSDC6	DRB6 BSDC6	
SPICE DRAWER CABINET					
SDC18	3	DDF SDC	DRB6 SDC30	DRB6 SDC30	
SDC24	4	DDF SDC	DRB6 SDC30	DRB6 SDC30	
SDC30	5	DDF SDC	DRB6 SDC30	DRB6 SDC30	
SDC36	6	DDF SDC	DRB6 SDC30	DRB6 SDC30	

SKU	QTY	DOOR		DRAWER FRONT / PANEL	
		PART NAME	QTY	PART NAME	QTY
CORNER SINK BASE					
CSB36	1	DR1524	1	DDF15	
CORNER SINK FRONT					
CSF36	1	DR1524	1	DDF15	
CSF42	1	DR2424	1	DDF24	
SINK/COOKTOP BASE AND FRONT					
SF12	1	DR1224	1	DDF12	
SF15	1	DR1524	1	DDF15	
SB18 / SF18	1	DR1824	1	DDF18	
SB21 / SF21	1	DR2124	1	DDF21	
SB24 / SF24	1	DR2424	1	DDF24	
SB24 BUTT / SF24 BUTT	2	DR1224 BUTT	1	DDF24	
SB27 BUTT / SF27 BUTT	2	DR1324 BUTT	1	DDF27	
SB30 BUTT / SF30 BUTT	2	DR1524 BUTT	1	DDF30	
SB33 BUTT / SF33 BUTT	2	DR1624 BUTT	1	DDF33	
SB36 BUTT / SF36 BUTT	2	DR1824 BUTT	1	DDF36	
SB39 / SF39	2	DR1924	2	DDF19	
SB42 / SF42	2	DR2124	2	DDF21	
SB45 / SF45	3	DR1524	3	DDF15	
SB48 / SF48	2	DR2424	2	DDF24	
SINK BASE WITH FACTORY INSTALLED TILT-OUT TRAY(S)					
SB18 STO	1	DR1824	1	DDF18 DRILL	
SB21 STO	1	DR2124	1	DDF21 DRILL	
SB24 STO	1	DR2424	1	DDF24 DRILL	
SB24 BUTT STO	2	DR1224 BUTT	1	DDF24 DRILL	
SB27 BUTT STO	2	DR1324 BUTT	1	DDF27 DRILL	
SB30 BUTT STO	2	DR1524 BUTT	1	DDF30 DRILL	
SB33 BUTT STO	2	DR1624 BUTT	1	DDF33 DRILL	
SB36 BUTT STO	2	DR1824 BUTT	1	DDF36 DRILL	
SB39 STO	2	DR1924	2	DDF19 DRILL	
SB42 STO	2	DR2124	2	DDF21 DRILL	
SB48 STO	2	DR2424	2	DDF24 DRILL	
SINK BASE MULTI-STORAGE CABINET					
SBMS30 BUTT STO	2	DR1524 BUTT	1	DDF30 DRILL	
SBMS36 BUTT STO	2	DR1824 BUTT	1	DDF36 DRILL	
DEEP SINK/RANGE BASE					
DSB30 BUTT	2	DR1521V BUTT	-	N/A	
DSB33 BUTT	2	DR1621V BUTT	-	N/A	
DSB36 BUTT	2	DR1821V BUTT	-	N/A	
DSB39	2	DR1921V BUTT	-	N/A	

SKU	QTY	DOOR		SPIN UNIT	
		PART NAME	QTY	PART NAME	QTY
CORNER BASE					
BER33 (L/R)	1	DR930 BER DRILL	-	N/A	
	1	DR930 BER ND			
BER3336L	1	DR930 BER DRILL	-	N/A	
	1	DR1230 BER ND			
BER3336R	1	DR1230 BER DRILL	-	N/A	
	1	DR930 BER ND			
BER36 (L/R)	1	DR1230 BER DRILL	-	N/A	
	1	DR1230 BER ND			
BER3633L	1	DR1230 BER DRILL	-	N/A	
	1	DR930 BER ND			
BER3633R	1	DR930 BER DRILL	-	N/A	
	1	DR1230 BER ND			
BSS33 (L/R) WD	1	DR930 BER DRILL	2	BSS33 SHLFWD NP PLY	
	1	DR930 BER ND			
BSS3336L WD	1	DR930 BER DRILL	2	BSS3336 SHLFWDNP PLY	
	1	DR1230 BER ND			
BSS3336R WD	1	DR1230 BER DRILL	2	BSS3336 SHLFWDNP PLY	
	1	DR930 BER ND			
BSS36 (L/R) WD	1	DR1230 BER DRILL	2	BSS36 SHLFWD NP PLY	
	1	DR1230 BER ND			
BSS3633L WD	1	DR1230 BER DRILL	2	BSS3633 SHLFWDNP PLY	
	1	DR930 BER ND			
BSS3633R WD	1	DR930 BER DRILL	2	BSS3633 SHLFWDNP PLY	
	1	DR1230 BER ND			
CAR36 (L/R) WD	1	DR1230 BER DRILL	2	CAR36 SHELF WD	
	1	DR1230 BER ND	1	BSSCWSCART-SHAFT FE	
			1	WOOD SPIN SHELF HDW	
CBS36 WD	1	DRCBS36	2	CBS36 SHLFWD NP PLY	

SKU	QTY	DOOR	SPECIALTY DOOR	GLASS INSERT	QTY	ADJUSTABLE SHELF / DROT
		PART NAME	PART NAME	PART NAME		*PART NAME
UTILITY WITH ADJUSTABLE SHELVES - 24" DEEP X 84" HIGH						
UT1524 X 84 AS	1	DR1530	DR1530 SD	DGI-1530	5	S1524
	1	DR1550				
UT1824 X 84 AS	1	DR1830	DR1830 SD	DGI-1830	5	S1824
	1	DR1850				
UT2424 X 84 AS BUTT	2	DR1230 BUTT	DR1230 BUTT SD	DGI-1230 BUTT	5	S2424
	2	DR1250 BUTT				
UT3024 X 84 AS BUTT	2	DR1530 BUTT	DR1530 BUTT SD	DGI-1530 BUTT	5	S3024
	2	DR1550 BUTT				
UT3624 X 84 AS BUTT	2	DR1830 BUTT	DR1830 BUTT SD	DGI-1830 BUTT	5	S3624
	2	DR1850 BUTT				
UTILITY WITH ADJUSTABLE SHELVES - 24" DEEP X 90" HIGH						
UT1524 X 90 AS	1	DR1536	DR1536 SD	DGI-1536	6	S1524
	1	DR1550				
UT1824 X 90 AS	1	DR1836	DR1836 SD	DGI-1836	6	S1824
	1	DR1850				
UT2424 X 90 AS BUTT	2	DR1236 BUTT	DR1236 BUTT SD	DGI-1236 BUTT	6	S2424
	2	DR1250 BUTT				
UT3024 X 90 AS BUTT	2	DR1536 BUTT	DR1536 BUTT SD	DGI-1536 BUTT	6	S3024
	2	DR1550 BUTT				
UT3624 X 90 AS BUTT	2	DR1836 BUTT	DR1836 BUTT SD	DGI-1836 BUTT	6	S3624
	2	DR1850 BUTT				
UTILITY WITH ADJUSTABLE SHELVES - 24" DEEP X 93" HIGH						
UT1524 X 93 AS	1	DR1539	DR1539 SD	DGI-1539	7	S1524
	1	DR1550	-	-	-	-
UT1824 X 93 AS	1	DR1839	DR1839 SD	DGI-1839	7	S1824
	1	DR1850				
UT2424 X 93 AS BUTT	2	DR1239 BUTT	DR1239 BUTT SD	DGI-1239 BUTT	7	S2424
	2	DR1250 BUTT				
UT3024 X 93 AS BUTT	2	DR1539 BUTT	DR1539 BUTT SD	DGI-1539 BUTT	7	S3024
	2	DR1550 BUTT				
UT3624 X 93 AS BUTT	2	DR1839 BUTT	DR1839 BUTT SD	DGI-1839 BUTT	7	S3624
	2	DR1850 BUTT				
UTILITY WITH ADJUSTABLE SHELVES - 24" DEEP X 96" HIGH						
UT1524 X 96 AS	1	DR1542	DR1542 SD	DGI-1542	7	S1524
	1	DR1550				
UT1824 X 96 AS	1	DR1842	DR1842 SD	DGI-1842	7	S1824
	1	DR1850				
UT2424 X 96 AS BUTT	2	DR1242 BUTT	DR1242 BUTT SD	DGI-1242 BUTT	7	S2424
	2	DR1250 BUTT				
UT3024 X 96 AS BUTT	2	DR1542 BUTT	DR1542 BUTT SD	DGI-1542 BUTT	7	S3024
	2	DR1550 BUTT				
UT3624 X 96 AS BUTT	2	DR1842 BUTT	DR1842 BUTT SD	DGI-1842 BUTT	7	S3624
	2	DR1850 BUTT				
UTILITY WITH DEEP ROLL OUT TRAYS - 84" HIGH						
UT1524 X 84 4ROT	1	DR1530	DR1530 SD	DGI-1530	1	S1524
	1	DR1550			4	DROT15
UT1824 X 84 4ROT	1	DR1830	DR1830 SD	DGI-1830	1	S1824
	1	DR1850			4	DROT18
UT2424 X 84 4ROT BUTT	2	DR1230 BUTT	DR1230 BUTT SD	DGI-1230 BUTT	1	S2424
	2	DR1250 BUTT			4	DROT24
UT3024 X 84 4ROT BUTT	2	DR1530 BUTT	DR1530 BUTT SD	DGI-1530 BUTT	1	S3024
	2	DR1550 BUTT			4	DROT30
UT3624 X 84 4ROT BUTT	2	DR1830 BUTT	DR1830 BUTT SD	DGI-1830 BUTT	1	S3624
	2	DR1850 BUTT			4	DROT36

SKU	QTY	DOOR	SPECIALTY DOOR	GLASS INSERT	QTY	ADJUSTABLE SHELF / DROT
		PART NAME	PART NAME	PART NAME		*PART NAME
UTILITY WITH DEEP ROLL OUT TRAYS - 90" HIGH						
UT1524 X 90 4ROT	1	DR1536	DR1536 SD	DGI-1536	2	S1524
	1	DR1550			4	DROT15
UT1824 X 90 4ROT	1	DR1836	DR1836 SD	DGI-1836	2	S1824
	1	DR1850			4	DROT18
UT2424 X 90 4ROT BUTT	2	DR1236 BUTT	DR1236 BUTT SD	DGI-1236 BUTT	2	S2424
	2	DR1250 BUTT			4	DROT24
UT3024 X 90 4ROT BUTT	2	DR1536 BUTT	DR1536 BUTT SD	DGI-1536 BUTT	2	S3024
	2	DR1550 BUTT			4	DROT30
UT3624 X 90 4ROT BUTT	2	DR1836 BUTT	DR1836 BUTT SD	DGI-1836 BUTT	2	S3624
	2	DR1850 BUTT			4	DROT36
UTILITY WITH DEEP ROLL OUT TRAYS - 93" HIGH						
UT1524 X 93 4ROT	1	DR1539	DR1539 SD	DGI-1539	3	S1524
	1	DR1550			4	DROT15
UT1824 X 93 4ROT	1	DR1839	DR1839 SD	DGI-1839	3	S1824
	1	DR1850			4	DROT18
UT2424 X 93 4ROT BUTT	2	DR1239 BUTT	DR1239 BUTT SD	DGI-1239 BUTT	3	S2424
	2	DR1250 BUTT			4	DROT24
UT3024 X 93 4ROT BUTT	2	DR1539 BUTT	DR1539 BUTT SD	DGI-1539 BUTT	3	S3024
	2	DR1550 BUTT			4	DROT30
UT3624 X 93 4ROT BUTT	2	DR1839 BUTT	DR1839 BUTT SD	DGI-1839 BUTT	3	S3624
	2	DR1850 BUTT			4	DROT36
UTILITY WITH DEEP ROLL OUT TRAYS - 96" HIGH						
UT1524 X 96 4ROT	1	DR1542	DR1542 SD	DGI-1542	3	S1524
	1	DR1550			4	DROT15
UT1824 X 96 4ROT	1	DR1842	DR1842 SD	DGI-1842	3	S1824
	1	DR1850			4	DROT18
UT2424 X 96 4ROT BUTT	2	DR1242 BUTT	DR1242 BUTT SD	DGI-1242 BUTT	3	S2424
	2	DR1250 BUTT			4	DROT24
UT3024 X 96 4ROT BUTT	2	DR1542 BUTT	DR1542 BUTT SD	DGI-1542 BUTT	3	S3024
	2	DR1550 BUTT			4	DROT30
UT3624 X 96 4ROT BUTT	2	DR1842 BUTT	DR1842 BUTT SD	DGI-1842 BUTT	3	S3624
	2	DR1850 BUTT			4	DROT36

*For Matching Interior Adjustable Shelf, refer to Parts Directory Legend

SKU	QTY	DOOR		ADJUSTABLE SHELF		DRAWER FRONT	DRAWER BODY	
		PART NAME	QTY	*PART NAME	QTY		essential 60, 63, 66	select & luxury 61, 62, 64, 65, 67, 68
							PART NAME	PART NAME
DOUBLE OVEN CABINETS WITH 2 BUTT DOORS AND NO DRAWER - 84" HIGH								
OVD2784 BUTT NDWR	2	DR1318 BUTT	-	N/A	-	N/A	N/A	N/A
OVD3084 BUTT NDWR	2	DR1518 BUTT	-	N/A	-	N/A	N/A	N/A
OVD3384 BUTT NDWR	2	DR1618 BUTT	-	N/A	-	N/A	N/A	N/A
DOUBLE OVEN CABINETS WITH 2 BUTT DOORS AND NO DRAWER - 90" HIGH								
OVD2790 AS BUTT NDWR	2	DR1324 BUTT	1	S2724	-	N/A	N/A	N/A
OVD3090 AS BUTT NDWR	2	DR1524 BUTT	1	S3024	-	N/A	N/A	N/A
OVD3390 AS BUTT NDWR	2	DR1624 BUTT	1	S3324	-	N/A	N/A	N/A
DOUBLE OVEN CABINETS WITH 2 BUTT DOORS AND NO DRAWER - 93" HIGH								
OVD2793 AS BUTT NDWR	2	DR1327 BUTT	2	S2724	-	N/A	N/A	N/A
OVD3093 AS BUTT NDWR	2	DR1527 BUTT	2	S3024	-	N/A	N/A	N/A
OVD3393 AS BUTT NDWR	2	DR1627 BUTT	2	S3324	-	N/A	N/A	N/A
DOUBLE OVEN CABINETS WITH 2 BUTT DOORS AND NO DRAWER - 96" HIGH								
OVD2796 AS BUTT NDWR	2	DR1330 BUTT	2	S2724	-	N/A	N/A	N/A
OVD3096 AS BUTT NDWR	2	DR1530 BUTT	2	S3024	-	N/A	N/A	N/A
OVD3396 AS BUTT NDWR	2	DR1630 BUTT	2	S3324	-	N/A	N/A	N/A
DOUBLE OVEN CABINETS WITH 2 BUTT DOORS, 1 DRAWER - 84" HIGH								
OVD2784 BUTT	2	DR1318 BUTT	-	N/A	1	DDFOV27	DRB24 X 18DP DT SG	DRB24 X 21DP DT FD
OVD3084 BUTT	2	DR1518 BUTT	-	N/A	1	DDFOV30	DRB27 X 18DP DT SG	DRB27 X 21DP DT FD
OVD3384 BUTT	2	DR1618 BUTT	-	N/A	1	DDFOV33	DRB30 X 18DP DT SG	DRB30 X 21DP DT FD
DOUBLE OVEN CABINETS WITH 2 BUTT DOORS, 1 DRAWER - 90" HIGH								
OVD2790 AS BUTT	2	DR1324 BUTT	1	S2724	1	DDFOV27	DRB24 X 18DP DT SG	DRB24 X 21DP DT FD
OVD3090 AS BUTT	2	DR1524 BUTT	1	S3024	1	DDFOV30	DRB27 X 18DP DT SG	DRB27 X 21DP DT FD
OVD3390 AS BUTT	2	DR1624 BUTT	1	S3324	1	DDFOV33	DRB30 X 18DP DT SG	DRB30 X 21DP DT FD
DOUBLE OVEN CABINETS WITH 2 BUTT DOORS, 1 DRAWER - 93" HIGH								
OVD2793 AS BUTT	2	DR1327 BUTT	2	S2724	1	DDFOV27	DRB24 X 18DP DT SG	DRB24 X 21DP DT FD
OVD3093 AS BUTT	2	DR1527 BUTT	2	S3024	1	DDFOV30	DRB27 X 18DP DT SG	DRB27 X 21DP DT FD
OVD3393 AS BUTT	2	DR1627 BUTT	2	S3324	1	DDFOV33	DRB30 X 18DP DT SG	DRB30 X 21DP DT FD
DOUBLE OVEN CABINETS WITH 2 BUTT DOORS, 1 DRAWER - 96" HIGH								
OVD2796 AS BUTT	2	DR1330 BUTT	2	S2724	1	DDFOV27	DRB24 X 18DP DT SG	DRB24 X 21DP DT FD
OVD3096 AS BUTT	2	DR1530 BUTT	2	S3024	1	DDFOV30	DRB27 X 18DP DT SG	DRB27 X 21DP DT FD
OVD3396 AS BUTT	2	DR1630 BUTT	2	S3324	1	DDFOV33	DRB30 X 18DP DT SG	DRB30 X 21DP DT FD
DOUBLE OVEN CABINETS WITH 2 BUTT DOORS AND 1 LARGE DRAWER - 84" HIGH								
OVD2784 BUTT 1DDWR	2	DR1318 BUTT	-	N/A	1	DDF27M	DRB24M X 18DP DT SG	DRB24M X 21DP DT FD
OVD3084 BUTT 1DDWR	2	DR1518 BUTT	-	N/A	1	DDF30M	DRB27M X 18DP DT SG	DRB27M X 21DP DT FD
OVD3384 BUTT 1DDWR	2	DR1618 BUTT	-	N/A	1	DDF33M	DRB30M X 18DP DT SG	DRB30M X 21DP DT FD
DOUBLE OVEN CABINETS WITH 2 BUTT DOORS AND 1 LARGE DRAWER - 90" HIGH								
OVD2790 AS BUTT 1DDWR	2	DR1324 BUTT	1	S2724	1	DDF27M	DRB24M X 18DP DT SG	DRB24M X 21DP DT FD
OVD3090 AS BUTT 1DDWR	2	DR1524 BUTT	1	S3024	1	DDF30M	DRB27M X 18DP DT SG	DRB27M X 21DP DT FD
OVD3390 AS BUTT 1DDWR	2	DR1624 BUTT	1	S3324	1	DDF33M	DRB30M X 18DP DT SG	DRB30M X 21DP DT FD
DOUBLE OVEN CABINETS WITH 2 BUTT DOORS AND 1 LARGE DRAWER - 93" HIGH								
OVD2793 AS BUTT 1DDWR	2	DR1327 BUTT	2	S2724	1	DDF27M	DRB24M X 18DP DT SG	DRB24M X 21DP DT FD
OVD3093 AS BUTT 1DDWR	2	DR1527 BUTT	2	S3024	1	DDF30M	DRB27M X 18DP DT SG	DRB27M X 21DP DT FD
OVD3393 AS BUTT 1DDWR	2	DR1627 BUTT	2	S3324	1	DDF33M	DRB30M X 18DP DT SG	DRB30M X 21DP DT FD
DOUBLE OVEN CABINETS WITH 2 BUTT DOORS AND 1 LARGE DRAWER - 96" HIGH								
OVD2796 AS BUTT 1DDWR	2	DR1330 BUTT	2	S2724	1	DDF27M	DRB24M X 18DP DT SG	DRB24M X 21DP DT FD
OVD3096 AS BUTT 1DDWR	2	DR1530 BUTT	2	S3024	1	DDF30M	DRB27M X 18DP DT SG	DRB27M X 21DP DT FD
OVD3396 AS BUTT 1DDWR	2	DR1630 BUTT	2	S3324	1	DDF33M	DRB30M X 18DP DT SG	DRB30M X 21DP DT FD

SKU	QTY	DOOR		ADJUSTABLE SHELF		QTY	DRAWER FRONT		DRAWER BODY	
		PART NAME	QTY	*PART NAME	QTY		PART NAME	essential 60, 63, 66	select & luxury 61, 62, 64, 65, 67, 68	
								PART NAME	PART NAME	
DOUBLE OVEN CABINETS WITH 2 BUTT DOORS AND 2 DRAWERS - 84" HIGH										
OVD2784 BUTT 2DWR	2	DR1318 BUTT	-	N/A	2	DDF27	DRB24 X 18DP DT SG	DRB24 X 21DP DT FD		
OVD3084 BUTT 2DWR	2	DR1518 BUTT	-	N/A	2	DDF30	DRB27 X 18DP DT SG	DRB27 X 21DP DT FD		
OVD3384 BUTT 2DWR	2	DR1618 BUTT	-	N/A	2	DDF33	DRB30 X 18DP DT SG	DRB30 X 21DP DT FD		
DOUBLE OVEN CABINETS WITH 2 BUTT DOORS AND 2 DRAWERS - 90" HIGH										
OVD2790 AS BUTT 2DWR	2	DR1324 BUTT	1	S2724	2	DDF27	DRB24 X 18DP DT SG	DRB24 X 21DP DT FD		
OVD3090 AS BUTT 2DWR	2	DR1524 BUTT	1	S3024	2	DDF30	DRB27 X 18DP DT SG	DRB27 X 21DP DT FD		
OVD3390 AS BUTT 2DWR	2	DR1624 BUTT	1	S3324	2	DDF33	DRB30 X 18DP DT SG	DRB30 X 21DP DT FD		
DOUBLE OVEN CABINETS WITH 2 BUTT DOORS AND 2 DRAWERS - 93" HIGH										
OVD2793 AS BUTT 2DWR	2	DR1327 BUTT	2	S2724	2	DDF27	DRB24 X 18DP DT SG	DRB24 X 21DP DT FD		
OVD3093 AS BUTT 2DWR	2	DR1527 BUTT	2	S3024	2	DDF30	DRB27 X 18DP DT SG	DRB27 X 21DP DT FD		
OVD3393 AS BUTT 2DWR	2	DR1627 BUTT	2	S3324	2	DDF33	DRB30 X 18DP DT SG	DRB30 X 21DP DT FD		
DOUBLE OVEN CABINETS WITH 2 BUTT DOORS AND 2 DRAWERS - 96" HIGH										
OVD2796 AS BUTT 2DWR	2	DR1330 BUTT	2	S2724	2	DDF27	DRB24 X 18DP DT SG	DRB24 X 21DP DT FD		
OVD3096 AS BUTT 2DWR	2	DR1530 BUTT	2	S3024	2	DDF30	DRB27 X 18DP DT SG	DRB27 X 21DP DT FD		
OVD3396 AS BUTT 2DWR	2	DR1630 BUTT	2	S3324	2	DDF33	DRB30 X 18DP DT SG	DRB30 X 21DP DT FD		

*For Matching Interior Adjustable Shelf, refer to Parts Directory Legend

SKU	QTY	DOOR		ADJUSTABLE SHELF		DRAWER FRONT		DRAWER BODY	
		PART NAME	QTY	*PART NAME	QTY	PART NAME	essential 60, 63, 66	select & luxury 61, 62, 64, 65, 67, 68	
							PART NAME	PART NAME	
SINGLE OVEN CABINETS WITH 4 BUTT DOORS - 84" HIGH									
OVS2784 BUTT	2	DR1318 BUTT	-	N/A	-	N/A	N/A	N/A	
	2	DR1324 BUTT							
OVS3084 BUTT	2	DR1518 BUTT	-	N/A	-	N/A	N/A	N/A	
	2	DR1524 BUTT							
OVS3384 BUTT	2	DR1618 BUTT	-	N/A	-	N/A	N/A	N/A	
	2	DR1624 BUTT							
SINGLE OVEN CABINETS WITH 4 BUTT DOORS - 90" HIGH									
OVS2790 AS BUTT	4	DR1324 BUTT	1	S2724	-	N/A	N/A	N/A	
OVS3090 AS BUTT	4	DR1524 BUTT	1	S3024	-	N/A	N/A	N/A	
OVS3390 AS BUTT	4	DR1624 BUTT	1	S3324	-	N/A	N/A	N/A	
SINGLE OVEN CABINETS WITH 4 BUTT DOORS - 93" HIGH									
OVS2793 AS BUTT	2	DR1327 BUTT	2	S2724	-	N/A	N/A	N/A	
	2	DR1324 BUTT							
OVS3093 AS BUTT	2	DR1527 BUTT	2	S3024	-	N/A	N/A	N/A	
	2	DR1524 BUTT							
OVS3393 AS BUTT	2	DR1627 BUTT	2	S3324	-	N/A	N/A	N/A	
	2	DR1624 BUTT							
SINGLE OVEN CABINETS WITH 4 BUTT DOORS - 96" HIGH									
OVS2796 AS BUTT	2	DR1330 BUTT	2	S2724	-	N/A	N/A	N/A	
	2	DR1324 BUTT							
OVS3096 AS BUTT	2	DR1530 BUTT	2	S3024	-	N/A	N/A	N/A	
	2	DR1524 BUTT							
OVS3396 AS BUTT	2	DR1630 BUTT	2	S3324	-	N/A	N/A	N/A	
	2	DR1624 BUTT							
SINGLE OVEN CABINETS WITH 4 BUTT DOORS AND 1 POT AND PAN ORGANIZER - 84" HIGH									
OVS2784 BUTT BPPO	2	DR1318 BUTT	-	N/A	-	N/A	N/A	N/A	
	2	DR1324 BUTT	1	BPPOK24					
OVS3084 BUTT BPPO	2	DR1518 BUTT	-	N/A	-	N/A	N/A	N/A	
	2	DR1524 BUTT	1	BPPOK27					
OVS3384 BUTT BPPO	2	DR1618 BUTT	-	N/A	-	N/A	N/A	N/A	
	2	DR1624 BUTT	1	BPPOK30					
SINGLE OVEN CABINETS WITH 4 BUTT DOORS AND 1 POT AND PAN ORGANIZER - 90" HIGH									
OVS2790 BUTT BPPO	4	DR1324 BUTT	1	S2724	-	N/A	N/A	N/A	
			1	BPPOK24					
OVS3090 BUTT BPPO	4	DR1524 BUTT	1	S3024	-	N/A	N/A	N/A	
			1	BPPOK27					
OVS3390 BUTT BPPO	4	DR1624 BUTT	1	S3324	-	N/A	N/A	N/A	
			1	BPPOK30					
SINGLE OVEN CABINETS WITH 4 BUTT DOORS AND 1 POT AND PAN ORGANIZER - 93" HIGH									
OVS2793 BUTT BPPO	2	DR1327 BUTT	2	S2724	-	N/A	N/A	N/A	
	2	DR1324 BUTT	1	BPPOK24					
OVS3093 BUTT BPPO	2	DR1527 BUTT	2	S3024	-	N/A	N/A	N/A	
	2	DR1524 BUTT	1	BPPOK27					
OVS3393 BUTT BPPO	2	DR1627 BUTT	2	S3324	-	N/A	N/A	N/A	
	2	DR1624 BUTT	1	BPPOK30					
SINGLE OVEN CABINETS WITH 4 BUTT DOORS AND 1 POT AND PAN ORGANIZER - 96" HIGH									
OVS2796 BUTT BPPO	2	DR1330 BUTT	2	S2724	-	N/A	N/A	N/A	
	2	DR1324 BUTT	1	BPPOK24					
OVS3096 BUTT BPPO	2	DR1530 BUTT	2	S3024	-	N/A	N/A	N/A	
	2	DR1524 BUTT	1	BPPOK27					
OVS3396 BUTT BPPO	2	DR1630 BUTT	2	S3324	-	N/A	N/A	N/A	
	2	DR1624 BUTT	1	BPPOK30					
SINGLE OVEN CABINETS WITH 2 BUTT DOORS AND 2 DRAWERS - 84" HIGH									
OVS2784 BUTT 2DDWR	2	DR1318 BUTT	-	N/A	2	DDF27M	DRB24M X 18DP DT SG	DRB24M X 21DP DT FD	
OVS3084 BUTT 2DDWR	2	DR1518 BUTT	-	N/A	2	DDF30M	DRB27M X 18DP DT SG	DRB27M X 21DP DT FD	
OVS3384 BUTT 2DDWR	2	DR1618 BUTT	-	N/A	2	DDF33M	DRB30M X 18DP DT SG	DRB30M X 21DP DT FD	

SKU	QTY	DOOR		ADJUSTABLE SHELF		DRAWER FRONT	DRAWER BODY	
		PART NAME	QTY	*PART NAME	QTY		essential 60, 63, 66	select & luxury 61, 62, 64, 65, 67, 68
							PART NAME	PART NAME
SINGLE OVEN CABINETS WITH 2 BUTT DOORS AND 2 DRAWERS • 90" HIGH								
OVS2790 AS BUTT 2DDWR	2	DR1324 BUTT	1	S2724	2	DDF27M	DRB24M X 18DP DT SG	DRB24M X 21DP DT FD
OVS3090 AS BUTT 2DDWR	2	DR1524 BUTT	1	S3024	2	DDF30M	DRB27M X 18DP DT SG	DRB27M X 21DP DT FD
OVS3390 AS BUTT 2DDWR	2	DR1624 BUTT	1	S3324	2	DDF33M	DRB30M X 18DP DT SG	DRB30M X 21DP DT FD
SINGLE OVEN CABINETS WITH 2 BUTT DOORS AND 2 DRAWERS • 93" HIGH								
OVS2793 AS BUTT 2DDWR	2	DR1327 BUTT	2	S2724	2	DDF27M	DRB24M X 18DP DT SG	DRB24M X 21DP DT FD
OVS3093 AS BUTT 2DDWR	2	DR1527 BUTT	2	S3024	2	DDF30M	DRB27M X 18DP DT SG	DRB27M X 21DP DT FD
OVS3393 AS BUTT 2DDWR	2	DR1627 BUTT	2	S3324	2	DDF33M	DRB30M X 18DP DT SG	DRB30M X 21DP DT FD
SINGLE OVEN CABINETS WITH 2 BUTT DOORS AND 2 DRAWERS • 96" HIGH								
OVS2796 AS BUTT 2DDWR	2	DR1330 BUTT	2	S2724	2	DDF27M	DRB24M X 18DP DT SG	DRB24M X 21DP DT FD
OVS3096 AS BUTT 2DDWR	2	DR1530 BUTT	2	S3024	2	DDF30M	DRB27M X 18DP DT SG	DRB27M X 21DP DT FD
OVS3396 AS BUTT 2DDWR	2	DR1630 BUTT	2	S3324	2	DDF33M	DRB30M X 18DP DT SG	DRB30M X 21DP DT FD
SINGLE OVEN CABINETS WITH 2 BUTT DOORS AND 3 DRAWERS • 84" HIGH								
OVS2784 BUTT 3DWR	2	DR1318 BUTT	-	N/A	1	DDF27	DRB24 X 18DP DT SG	DRB24 X 21DP DT FD
					2	DDF27M	DRB24M X 18DP DT SG	DRB24M X 21DP DT FD
OVS3084 BUTT 3DWR	2	DR1518 BUTT	-	N/A	1	DDF30	DRB27 X 18DP DT SG	DRB27 X 21DP DT FD
					2	DDF30M	DRB27M X 18DP DT SG	DRB27M X 21DP DT FD
OVS3384 BUTT 3DWR	2	DR1618 BUTT	-	N/A	1	DDF33	DRB30 X 18DP DT SG	DRB30 X 21DP DT FD
					2	DDF33M	DRB30M X 18DP DT SG	DRB30M X 21DP DT FD
SINGLE OVEN CABINETS WITH 2 BUTT DOORS AND 3 DRAWERS • 90" HIGH								
OVS2790 AS BUTT 3DWR	2	DR1324 BUTT	1	S2724	1	DDF27	DRB24 X 18DP DT SG	DRB24 X 21DP DT FD
					2	DDF27M	DRB24M X 18DP DT SG	DRB24M X 21DP DT FD
OVS3090 AS BUTT 3DWR	2	DR1524 BUTT	1	S3024	1	DDF30	DRB27 X 18DP DT SG	DRB27 X 21DP DT FD
					2	DDF30M	DRB27M X 18DP DT SG	DRB27M X 21DP DT FD
OVS3390 AS BUTT 3DWR	2	DR1624 BUTT	1	S3324	1	DDF33	DRB30 X 18DP DT SG	DRB30 X 21DP DT FD
					2	DDF33M	DRB30M X 18DP DT SG	DRB30M X 21DP DT FD
SINGLE OVEN CABINETS WITH 2 BUTT DOORS AND 3 DRAWERS • 93" HIGH								
OVS2793 AS BUTT 3DWR	2	DR1327 BUTT	2	S2724	1	DDF27	DRB24 X 18DP DT SG	DRB24 X 21DP DT FD
					2	DDF27M	DRB24M X 18DP DT SG	DRB24M X 21DP DT FD
OVS3093 AS BUTT 3DWR	2	DR1527 BUTT	2	S3024	1	DDF30	DRB27 X 18DP DT SG	DRB27 X 21DP DT FD
					2	DDF30M	DRB27M X 18DP DT SG	DRB27M X 21DP DT FD
OVS3393 AS BUTT 3DWR	2	DR1627 BUTT	2	S3324	1	DDF33	DRB30 X 18DP DT SG	DRB30 X 21DP DT FD
					2	DDF33M	DRB30M X 18DP DT SG	DRB30M X 21DP DT FD
SINGLE OVEN CABINETS WITH 2 BUTT DOORS AND 3 DRAWERS • 96" HIGH								
OVS2796 AS BUTT 3DWR	2	DR1330 BUTT	2	S2724	1	DDF27	DRB24 X 18DP DT SG	DRB24 X 21DP DT FD
					2	DDF27M	DRB24M X 18DP DT SG	DRB24M X 21DP DT FD
OVS3096 AS BUTT 3DWR	2	DR1530 BUTT	2	S3024	1	DDF30	DRB27 X 18DP DT SG	DRB27 X 21DP DT FD
					2	DDF30M	DRB27M X 18DP DT SG	DRB27M X 21DP DT FD
OVS3396 AS BUTT 3DWR	2	DR1630 BUTT	2	S3324	1	DDF33	DRB30 X 18DP DT SG	DRB30 X 21DP DT FD
					2	DDF33M	DRB30M X 18DP DT SG	DRB30M X 21DP DT FD
SINGLE OVEN CABINETS WITH 2 BUTT DOORS 4 DRAWERS • 84" HIGH								
OVS2784 BUTT 4DWR	2	DR1318 BUTT	-	N/A	2	DDF27	DRB24 X 18DP DT SG	DRB24 X 21DP DT FD
					2	DDF27M	DRB24M X 18DP DT SG	DRB24M X 21DP DT FD
OVS3084 BUTT 4DWR	2	DR1518 BUTT	-	N/A	2	DDF30	DRB27 X 18DP DT SG	DRB27 X 21DP DT FD
					2	DDF30M	DRB27M X 18DP DT SG	DRB27M X 21DP DT FD
OVS3384 BUTT 4DWR	2	DR1618 BUTT	-	N/A	2	DDF33	DRB30 X 18DP DT SG	DRB30 X 21DP DT FD
					2	DDF33M	DRB30M X 18DP DT SG	DRB30M X 21DP DT FD
SINGLE OVEN CABINETS WITH 2 BUTT DOORS 4 DRAWERS • 90" HIGH								
OVS2790 AS BUTT 4DWR	2	DR1324 BUTT	1	S2724	2	DDF27	DRB24 X 18DP DT SG	DRB24 X 21DP DT FD
					2	DDF27M	DRB24M X 18DP DT SG	DRB24M X 21DP DT FD
OVS3090 AS BUTT 4DWR	2	DR1524 BUTT	1	S3024	2	DDF30	DRB27 X 18DP DT SG	DRB27 X 21DP DT FD
					2	DDF30M	DRB27M X 18DP DT SG	DRB27M X 21DP DT FD
OVS3390 AS BUTT 4DWR	2	DR1624 BUTT	1	S3324	2	DDF33	DRB30 X 18DP DT SG	DRB30 X 21DP DT FD
					2	DDF33M	DRB30M X 18DP DT SG	DRB30M X 21DP DT FD

*For Matching Interior Adjustable Shelf, refer to Parts Directory Legend

SKU	QTY	DOOR		ADJUSTABLE SHELF		DRAWER FRONT		DRAWER BODY	
		PART NAME	QTY	*PART NAME	QTY	PART NAME	essential 60, 63, 66	select & luxury 61, 62, 64, 65, 67, 68	
							PART NAME	PART NAME	
SINGLE OVEN CABINETS WITH 2 BUTT DOORS 4 DRAWERS - 93" HIGH									
OVS2793 AS BUTT 4DWR	2	DR1327 BUTT	2	S2724	2	DDF27	DRB24 X 18DP DT SG	DRB24 X 21DP DT FD	
					2	DDF27M	DRB24M X 18DP DT SG	DRB24M X 21DP DT FD	
OVS3093 AS BUTT 4DWR	2	DR1527 BUTT	2	S3024	2	DDF30	DRB27 X 18DP DT SG	DRB27 X 21DP DT FD	
					2	DDF30M	DRB27M X 18DP DT SG	DRB27M X 21DP DT FD	
OVS3393 AS BUTT 4DWR	2	DR1627 BUTT	2	S3324	2	DDF33	DRB30 X 18DP DT SG	DRB30 X 21DP DT FD	
					2	DDF33M	DRB30M X 18DP DT SG	DRB30M X 21DP DT FD	
SINGLE OVEN CABINETS WITH 2 BUTT DOORS 4 DRAWERS - 96" HIGH									
OVS2796 AS BUTT 4DWR	2	DR1330 BUTT	2	S2724	2	DDF27	DRB24 X 18DP DT SG	DRB24 X 21DP DT FD	
					2	DDF27M	DRB24M X 18DP DT SG	DRB24M X 21DP DT FD	
OVS3096 AS BUTT 4DWR	2	DR1530 BUTT	2	S3024	2	DDF30	DRB27 X 18DP DT SG	DRB27 X 21DP DT FD	
					2	DDF30M	DRB27M X 18DP DT SG	DRB27M X 21DP DT FD	
OVS3396 AS BUTT 4DWR	2	DR1630 BUTT	2	S3324	2	DDF33	DRB30 X 18DP DT SG	DRB30 X 21DP DT FD	
					2	DDF33M	DRB30M X 18DP DT SG	DRB30M X 21DP DT FD	
SINGLE OVEN CABINETS WITH 4 BUTT DOORS AND 1 DRAWER - 84" HIGH									
OVS2784 BUTT 1DWR	2	DR1318 BUTT	-	N/A	1	DDF27	DRB24 X 18DP DT SG	DRB24 X 21DP DT FD	
	2	DR1324 BUTT							
OVS3084 BUTT 1DWR	2	DR1518 BUTT	-	N/A	1	DDF30	DRB27 X 18DP DT SG	DRB27 X 21DP DT FD	
	2	DR1524 BUTT							
OVS3384 BUTT 1DWR	2	DR1618 BUTT	-	N/A	1	DDF33	DRB30 X 18DP DT SG	DRB30 X 21DP DT FD	
	2	DR1624 BUTT							
SINGLE OVEN CABINETS WITH 4 BUTT DOORS AND 1 DRAWER - 90" HIGH									
OVS2790 AS BUTT 1DWR	4	DR1324 BUTT	1	S2724	1	DDF27	DRB24 X 18DP DT SG	DRB24 X 21DP DT FD	
OVS3090 AS BUTT 1DWR	4	DR1524 BUTT	1	S3024	1	DDF30	DRB27 X 18DP DT SG	DRB27 X 21DP DT FD	
OVS3390 AS BUTT 1DWR	4	DR1624 BUTT	1	S3324	1	DDF33	DRB30 X 18DP DT SG	DRB30 X 21DP DT FD	
SINGLE OVEN CABINETS WITH 4 BUTT DOORS AND 1 DRAWER - 93" HIGH									
OVS2793 AS BUTT 1DWR	2	DR1327 BUTT	2	S2724	1	DDF27	DRB24 X 18DP DT SG	DRB24 X 21DP DT FD	
	2	DR1324 BUTT							
OVS3093 AS BUTT 1DWR	2	DR1527 BUTT	2	S3024	1	DDF30	DRB27 X 18DP DT SG	DRB27 X 21DP DT FD	
	2	DR1524 BUTT							
OVS3393 AS BUTT 1DWR	2	DR1627 BUTT	2	S3324	1	DDF33	DRB30 X 18DP DT SG	DRB30 X 21DP DT FD	
	2	DR1624 BUTT							
SINGLE OVEN CABINETS WITH 4 BUTT DOORS AND 1 DRAWER - 96" HIGH									
OVS2796 AS BUTT 1DWR	2	DR1330 BUTT	2	S2724	1	DDF27	DRB24 X 18DP DT SG	DRB24 X 21DP DT FD	
	2	DR1324 BUTT							
OVS3096 AS BUTT 1DWR	2	DR1530 BUTT	2	S3024	1	DDF30	DRB27 X 18DP DT SG	DRB27 X 21DP DT FD	
	2	DR1524 BUTT							
OVS3396 AS BUTT 1DWR	2	DR1630 BUTT	2	S3324	1	DDF33	DRB30 X 18DP DT SG	DRB30 X 21DP DT FD	
	2	DR1624 BUTT							
SINGLE OVEN CABINETS WITH 4 BUTT DOORS, 1 DRAWER AND 1 POT & PAN ORGANIZER - 84" HIGH									
OVS2784 BUTT 1DWR BPP0	2	DR1318 BUTT	-	N/A	1	DDF27	DRB24 X 18DP DT SG	DRB24 X 21DP DT FD	
	2	DR1324 BUTT	1	BPPOK24					
OVS3084 BUTT 1DWR BPP0	2	DR1518 BUTT	-	N/A	1	DDF30	DRB27 X 18DP DT SG	DRB27 X 21DP DT FD	
	2	DR1524 BUTT	1	BPPOK27					
OVS3384 BUTT 1DWR BPP0	2	DR1618 BUTT	-	N/A	1	DDF33	DRB30 X 18DP DT SG	DRB30 X 21DP DT FD	
	2	DR1624 BUTT	1	BPPOK30					
SINGLE OVEN CABINETS WITH 4 BUTT DOORS, 1 DRAWER AND 1 POT & PAN ORGANIZER - 90" HIGH									
OVS2790 BUTT 1DWR BPP0	4	DR1324 BUTT	1	S2724	1	DDF27	DRB24 X 18DP DT SG	DRB24 X 21DP DT FD	
			1	BPPOK24					
OVS3090 BUTT 1DWR BPP0	4	DR1524 BUTT	1	S3024	1	DDF30	DRB27 X 18DP DT SG	DRB27 X 21DP DT FD	
			1	BPPOK27					
OVS3390 BUTT 1DWR BPP0	4	DR1624 BUTT	1	S3324	1	DDF33	DRB30 X 18DP DT SG	DRB30 X 21DP DT FD	
			1	BPPOK30					

SKU	QTY	DOOR		ADJUSTABLE SHELF		DRAWER FRONT	DRAWER BODY	
		PART NAME	QTY	*PART NAME	QTY		essential 60, 63, 66	select & luxury 61, 62, 64, 65, 67, 68
							PART NAME	PART NAME
SINGLE OVEN CABINETS WITH 4 BUTT DOORS, 1 DRAWER AND 1 POT & PAN ORGANIZER • 93" HIGH								
OVS2793 BUTT 1DWR BPP0	2	DR1327 BUTT	2	S2724	1	DDF27	DRB24 X 18DP DT SG	DRB24 X 21DP DT FD
	2	DR1324 BUTT	1	BPP0K24				
OVS3093 BUTT 1DWR BPP0	2	DR1527 BUTT	2	S3024	1	DDF30	DRB27 X 18DP DT SG	DRB27 X 21DP DT FD
	2	DR1524 BUTT	1	BPP0K27				
OVS3393 BUTT 1DWR BPP0	2	DR1627 BUTT	2	S3324	1	DDF33	DRB30 X 18DP DT SG	DRB30 X 21DP DT FD
	2	DR1624 BUTT	1	BPP0K30				
SINGLE OVEN CABINETS WITH 4 BUTT DOORS, 1 DRAWER AND 1 POT & PAN ORGANIZER • 96" HIGH								
OVS2796 BUTT 1DWR BPP0	2	DR1330 BUTT	2	S2724	1	DDF27	DRB24 X 18DP DT SG	DRB24 X 21DP DT FD
	2	DR1324 BUTT	1	BPP0K24				
OVS3096 BUTT 1DWR BPP0	2	DR1530 BUTT	2	S3024	1	DDF30	DRB27 X 18DP DT SG	DRB27 X 21DP DT FD
	2	DR1524 BUTT	1	BPP0K27				
OVS3396 BUTT 1DWR BPP0	2	DR1630 BUTT	2	S3324	1	DDF33	DRB30 X 18DP DT SG	DRB30 X 21DP DT FD
	2	DR1624 BUTT	1	BPP0K30				
SINGLE OVEN CABINETS WITH 4 BUTT DOORS AND 2 DRAWERS • 84" HIGH								
OVS2784 BUTT 2DWR	2	DR1318 BUTT	-	N/A	2	DDF27	DRB24 X 18DP DT SG	DRB24 X 21DP DT FD
	2	DR1324 BUTT						
OVS3084 BUTT 2DWR	2	DR1518 BUTT	-	N/A	2	DDF30	DRB27 X 18DP DT SG	DRB27 X 21DP DT FD
	2	DR1524 BUTT						
OVS3384 BUTT 2DWR	2	DR1618 BUTT	-	N/A	2	DDF33	DRB30 X 18DP DT SG	DRB30 X 21DP DT FD
	2	DR1624 BUTT						
SINGLE OVEN CABINETS WITH 4 BUTT DOORS AND 2 DRAWERS • 90" HIGH								
OVS2790 AS BUTT 2DWR	4	DR1324 BUTT	1	S2724	2	DDF27	DRB24 X 18DP DT SG	DRB24 X 21DP DT FD
OVS3090 AS BUTT 2DWR	4	DR1524 BUTT	1	S3024	2	DDF30	DRB27 X 18DP DT SG	DRB27 X 21DP DT FD
OVS3390 AS BUTT 2DWR	4	DR1624 BUTT	1	S3324	2	DDF33	DRB30 X 18DP DT SG	DRB30 X 21DP DT FD
SINGLE OVEN CABINETS WITH 4 BUTT DOORS AND 2 DRAWERS • 93" HIGH								
OVS2793 AS BUTT 2DWR	2	DR1327 BUTT	2	S2724	2	DDF27	DRB24 X 18DP DT SG	DRB24 X 21DP DT FD
	2	DR1324 BUTT						
OVS3093 AS BUTT 2DWR	2	DR1527 BUTT	2	S3024	2	DDF30	DRB27 X 18DP DT SG	DRB27 X 21DP DT FD
	2	DR1524 BUTT						
OVS3393 AS BUTT 2DWR	2	DR1627 BUTT	2	S3324	2	DDF33	DRB30 X 18DP DT SG	DRB30 X 21DP DT FD
	2	DR1624 BUTT						
SINGLE OVEN CABINETS WITH 4 BUTT DOORS AND 2 DRAWERS • 96" HIGH								
OVS2796 AS BUTT 2DWR	2	DR1330 BUTT	2	S2724	2	DDF27	DRB24 X 18DP DT SG	DRB24 X 21DP DT FD
	2	DR1324 BUTT						
OVS3096 AS BUTT 2DWR	2	DR1530 BUTT	2	S3024	2	DDF30	DRB27 X 18DP DT SG	DRB27 X 21DP DT FD
	2	DR1524 BUTT						
OVS3396 AS BUTT 2DWR	2	DR1630 BUTT	2	S3324	2	DDF33	DRB30 X 18DP DT SG	DRB30 X 21DP DT FD
	2	DR1624 BUTT						
SINGLE OVEN CABINETS WITH 4 BUTT DOORS, 2 DRAWERS AND 1 POT & PAN ORGANIZER • 84" HIGH								
OVS2784 BUTT 2DWR BPP0	2	DR1318 BUTT		N/A	2	DDF27	DRB24 X 18DP DT SG	DRB24 X 21DP DT FD
	2	DR1324 BUTT	1	BBP0K24				
OVS3084 BUTT 2DWR BPP0	2	DR1518 BUTT		N/A	2	DDF30	DRB27 X 18DP DT SG	DRB27 X 21DP DT FD
	2	DR1524 BUTT	1	BPP0K27				
OVS3384 BUTT 2DWR BPP0	2	DR1618 BUTT		N/A	2	DDF33	DRB30 X 18DP DT SG	DRB30 X 21DP DT FD
	2	DR1624 BUTT	1	BPP0K30				
SINGLE OVEN CABINETS WITH 4 BUTT DOORS, 2 DRAWERS AND 1 POT & PAN ORGANIZER • 90" HIGH								
OVS2790 BUTT 2DWR BPP0	4	DR1324 BUTT	1	S2724	2	DDF27	DRB24 X 18DP DT SG	DRB24 X 21DP DT FD
			1	BPP0K24				
OVS3090 BUTT 2DWR BPP0	4	DR1524 BUTT	1	S3024	2	DDF30	DRB27 X 18DP DT SG	DRB27 X 21DP DT FD
			1	BPP0K27				
OVS3390 BUTT 2DWR BPP0	4	DR1624 BUTT	1	S3324	2	DDF33	DRB30 X 18DP DT SG	DRB30 X 21DP DT FD
			1	BPP0K30				

*For Matching Interior Adjustable Shelf, refer to Parts Directory Legend

SKU	QTY	DOOR		ADJUSTABLE SHELF		DRAWER FRONT	DRAWER BODY	
		PART NAME	QTY	*PART NAME	QTY		essential 60, 63, 66	select & luxury 61, 62, 64, 65, 67, 68
							PART NAME	PART NAME
SINGLE OVEN CABINETS WITH 4 BUTT DOORS, 2 DRAWERS AND 1 POT & PAN ORGANIZER - 93" HIGH								
OVS2793 BUTT 2DWR BPPO	2	DR1327 BUTT	2	S2724	2	DDF27	DRB24 X 18DP DT SG	DRB24 X 21DP DT FD
	2	DR1324 BUTT	1	BPPOK24	2			
OVS3093 BUTT 2DWR BPPO	2	DR1527 BUTT	2	S3024	2	DDF30	DRB27 X 18DP DT SG	DRB27 X 21DP DT FD
	2	DR1524 BUTT	1	BPPOK27	2			
OVS3393 BUTT 2DWR BPPO	2	DR1627 BUTT	2	S3324	2	DDF33	DRB30 X 18DP DT SG	DRB30 X 21DP DT FD
	2	DR1624 BUTT	1	BPPOK30	2			
SINGLE OVEN CABINETS WITH 4 BUTT DOORS, 2 DRAWERS AND 1 POT & PAN ORGANIZER - 96" HIGH								
OVS2796 BUTT 2DWR BPPO	2	DR1330 BUTT	2	S2724	2	DDF27	DRB24 X 18DP DT SG	DRB24 X 21DP DT FD
	2	DR1324 BUTT	1	BPPOK24	2			
OVS3096 BUTT 2DWR BPPO	2	DR1530 BUTT	2	S3024	2	DDF30	DRB27 X 18DP DT SG	DRB27 X 21DP DT FD
	2	DR1524 BUTT	1	BPPOK27	2			
OVS3396 BUTT 2DWR BPPO	2	DR1630 BUTT	2	S3324	2	DDF33	DRB30 X 18DP DT SG	DRB30 X 21DP DT FD
	2	DR1624 BUTT	1	BPPOK30	2			

SKU	QTY	DOOR			QTY	ADJUSTABLE SHELF
		PART NAME	PART NAME	PART NAME		*PART NAME
VANITY LINEN CABINETS - WITH ADJUSTABLE SHELVES						
VLC152184 AS	1	DR1530	DR1530 SD	DGI-1530	5	S1521
	1	DR1550				
VLC182184 AS	1	DR1830	DR1830 SD	DGI-1830	5	S1821
	1	DR1850				
VLC242184 AS BUTT	2	DR1230 BUTT	DR1230 BUTT SD	DGI-1230 BUTT	5	S2421
	2	DR1250 BUTT				
VANITY LINEN CABINETS - WITH DEEP ROLL OUT TRAYS						
VLC152184 4ROT	1	DR1530	DR1530 SD	DGI-1530	1	S1521
	1	DR1550			4	DROT1521
VLC182184 4ROT	1	DR1830	DR1830 SD	DGI-1830	1	S1821
	1	DR1850			4	DROT1821
VLC242184 4ROT BUTT	2	DR1230 BUTT	DR1230 BUTT SD	DGI-1230 BUTT	1	S2421
	2	DR1250 BUTT			4	DROT2421

SKU	QTY	DOOR	QTY	DRAWER BODY		QTY	DRAWER FRONT
		PART NAME		essential 60, 63, 66	select & luxury 61, 62, 64, 65, 67, 68		PART NAME
				PART NAME	PART NAME		
VANITY BASE - 34 1/2" HIGH							
VB1234H	1	DR1224	1	DRB12 X 18DP DT SG	DRB12 X 18DP DT FD	1	DDF12
VB1534H	1	DR1524	1	DRB15 X 18DP DT SG	DRB15 X 18DP DT FD	1	DDF15
VB1834H	1	DR1824	1	DRB18 X 18DP DT SG	DRB18 X 18DP DT FD	1	DDF18
VB2134H	1	DR2124	1	DRB21 X 18DP DT SG	DRB21 X 18DP DT FD	1	DDF21
VB2434H BUTT	2	DR1224 BUTT	1	DRB24 X 18DP DT SG	DRB24 X 18DP DT FD	1	DDF24
VB2734H BUTT	2	DR1324 BUTT	1	DRB27 X 18DP DT SG	DRB27 X 18DP DT FD	1	DDF27
VB3034H BUTT	2	DR1524 BUTT	1	DRB30 X 18DP DT SG	DRB30 X 18DP DT FD	1	DDF30
VB3334H BUTT	2	DR1624 BUTT	1	DRB33 X 18DP DT SG	DRB33 X 18DP DT FD	1	DDF33
VB3634H BUTT	2	DR1824 BUTT	1	DRB36 X 18DP DT SG	DRB36 X 18DP DT FD	1	DDF36
VANITY BASE WASTEBASKET - 34 1/2" HIGH							
VWBB1834H	1	DR1824 ND	1	DRB18 X 18DP DT SG	DRB18 X 18DP DT FD	1	DDF18
			1	VWBB1834H FOL KIT	VWBB1834H FOL KIT		
VANITY SINK BASE WITH TOP DRAWERS - 34 1/2" HIGH							
VAN3634H BUTT	2	DR1824 BUTT	2	DRB10 X 18DP DT SG	DRB10 X 18DP DT FD	3	DDF12
VAN3934H	2	DR1924	2	DRB12 X 18DP DT SG	DRB12 X 18DP DT FD	2	DDF12
						1	DDF15
VAN4234H	2	DR2124	2	DRB12 X 18DP DT SG	DRB12 X 18DP DT FD	2	DDF12
						1	DDF18
VAN4834H	2	DR1524	2	DRB15 X 18DP DT SG	DRB15 X 18DP DT FD	2	DDF15
	1	DR1824				1	DDF18
VAN5434H BUTT	2	DR1224	2	DRB12 X 18DP DT SG	DRB12 X 18DP DT FD	2	DDF12
	2	DR1524 BUTT				1	DDF30
VAN6034H BUTT	2	DR1524	2	DRB15 X 18DP DT SG	DRB15 X 18DP DT FD	2	DDF15
	2	DR1524 BUTT				1	DDF30

*For Matching Interior Adjustable Shelf, refer to Parts Directory Legend

SKU	QTY	DOOR		DRAWER BODY			DRAWER FRONT
		PART NAME	QTY	essential 60, 63, 66	select & luxury 61, 62, 64, 65, 67, 68	QTY	PART NAME
				PART NAME	PART NAME		
VANITY COMBO SINK BASE - 18" DEEP X 34 1/2" HIGH							
VSDB241834H	1	DR1224	2	DRB12M X 15DP DT SG	DRB12M X 15DP DT FD	2 2	DDF12 DDF12M
VSDB271834H	1	DR1524	2	DRB12M X 15DP DT SG	DRB12M X 15DP DT FD	1 1 2	DDF15 DDF12 DDF12M
VSDB301834H	1	DR1824	2	DRB12M X 15DP DT SG	DRB12M X 15DP DT FD	1 1 2	DDF18 DDF12 DDF12M
VSDB331834H	1	DR2124	2	DRB12M X 15DP DT SG	DRB12M X 15DP DT FD	1 1 2	DDF21 DDF12 DDF12M
VSDB361834H	1	DR2124	2	DRB15M X 15DP DT SG	DRB15M X 15DP DT FD	1 1 2	DDF21 DDF15 DDF15M
VSDB2434H	1	DR1224	2	DRB12M X 18DP DT SG	DRB12M X 18DP DT FD	2 2	DDF12 DDF12M
VSDB2734H	1	DR1524	2	DRB12M X 18DP DT SG	DRB12M X 18DP DT FD	1 1 2	DDF15 DDF12 DDF12M
VSDB3034H	1	DR1824	2	DRB12M X 18DP DT SG	DRB12M X 18DP DT FD	1 1 2	DDF18 DDF12 DDF12M
VSDB3334H	1	DR2124	2	DRB12M X 18DP DT SG	DRB12M X 18DP DT FD	1 1 2	DDF21 DDF12 DDF12M
VSDB3634H	1	DR2124	2	DRB15M X 18DP DT SG	DRB15M X 18DP DT FD	1 1 2	DDF21 DDF15 DDF15M
VSDB3934H	1	DR2124	2	DRB18M X 18DP DT SG	DRB18M X 18DP DT FD	1 1 2	DDF21 DDF18 DDF18M
VSDB4234H BUTT	2	DR1524 BUTT	1 2	DRB12 X 18DP DT SG DRB12M X 18DP DT SG	DRB12 X 18DP DT FD DRB12M X 18DP DT FD	1 1 2	DDF30 DDF12 DDF12M
VSDB4834HD BUTT	2	DR1224 BUTT	2 4	DRB12 X 18DP DT SG DRB12M X 18DP DT SG	DRB12 X 18DP DT FD DRB12M X 18DP DT FD	1 2 4	DDF24 DDF12 DDF12M
VSDB5434HD BUTT	2	DR1224 BUTT	2 4	DRB15 X 18DP DT SG DRB15M X 18DP DT SG	DRB15 X 18DP DT FD DRB15M X 18DP DT FD	1 2 4	DDF24 DDF15 DDF15M
VSDB6034HC BUTT	4	DR1224 BUTT	1 2	DRB12 X 18DP DT SG DRB12M X 18DP DT SG	DRB12 X 18DP DT FD DRB12M X 18DP DT FD	2 1 2	DDF24 DDF12 DDF12M
VSDB6034HD BUTT	2	DR1524 BUTT	2 4	DRB15 X 18DP DT SG DRB15M X 18DP DT SG	DRB15 X 18DP DT FD DRB15M X 18DP DT FD	1 2 4	DDF30 DDF15 DDF15M

SKU	QTY	DOOR		DRAWER FRONT	
		PART NAME	QTY	PART NAME	QTY
VANITY SINK BASE - 34 1/2" HIGH					
VSB1534H	1	DR1524	1	DDF15	
VSB1834H	1	DR1824	1	DDF18	
VSB2134H	1	DR2124	1	DDF21	
VSB2434H BUTT	2	DR1224 BUTT	1	DDF24	
VSB2734H BUTT	2	DR1324 BUTT	1	DDF27	
VSB3034H BUTT	2	DR1524 BUTT	1	DDF30	
VSB3334H BUTT	2	DR1624 BUTT	1	DDF33	
VSB3634H BUTT	2	DR1824 BUTT	1	DDF36	
VSB4234H	2	DR2124	2	DDF21	
VSB3934H	2	DR1924	2	DDF19	
VSB4834H	2	DR1524	2	DDF15	
	1	DR1824	1	DDF18	
VSB5434H BUTT	4	DR1324 BUTT	2	DDF27	
VSB6034H BUTT	4	DR1524 BUTT	2	DDF30	
VANITY SINK BASE - 18" DEEP X 34 1/2" HIGH					
VSB241834H BUTT	2	DR1224 BUTT	1	DDF24	
VSB301834H BUTT	2	DR1524 BUTT	1	DDF30	
VSB361834H BUTT	2	DR1824 BUTT	1	DDF36	
VANITY FULL-HEIGHT BASE - 34 1/2" HIGH					
VB1234H FH	1	DR12FH	-	N/A	
VB1534H FH	1	DR15FH	-	N/A	
VB1834H FH	1	DR18FH	-	N/A	
VB2134H FH	1	DR21FH	-	N/A	
VB2434H BUTT FH	2	DR12BUTT FH	-	N/A	
VB3034H BUTT FH	2	DR15BUTT FH	-	N/A	
VB3634H BUTT FH	2	DR18BUTT FH	-	N/A	
VALET CABINET					
VC2436 BUTT	2	DR1224 BUTT	-	N/A	

SKU	QTY	DRAWER FRONT PART NAME	DRAWER BODY	
			essential 60, 63, 66	select & luxury 61, 62, 64, 65, 67, 68
			PART NAME	PART NAME
BASE HEIGHT VANITY DRAWER BASE - 34 1/2" HIGH				
VDB1234H	1	DDF12	DRB12 X 18DP DT SG	DRB12 X 18DP DT FD
	2	DDF12M	DRB12M X 18DP DT SG	DRB12M X 18DP DT FD
VDB1534H	1	DDF15	DRB15 X 18DP DT SG	DRB15 X 18DP DT FD
	2	DDF15M	DRB15M X 18DP DT SG	DRB15M X 18DP DT FD
VDB1834H	1	DDF18	DRB18 X 18DP DT SG	DRB18 X 18DP DT FD
	2	DDF18M	DRB18M X 18DP DT SG	DRB18M X 18DP DT FD
VDB2134H	1	DDF21	DRB21 X 18DP DT SG	DRB21 X 18DP DT FD
	2	DDF21M	DRB21M X 18DP DT SG	DRB21M X 18DP DT FD
VDB2434H	1	DDF24	DRB24 X 18DP DT SG	DRB24 X 18DP DT FD
	2	DDF24M	DRB24M X 18DP DT SG	DRB24M X 18DP DT FD

DOORS	
Specialty Doors, Solid Doors & ND Doors are the same dimension	
PART NAME	DIMENSION
50" HIGH	
DR1250 BUTT	11 23/32" x 49 1/4"
DR1550	14 9/16" x 49 1/4"
DR1550 BUTT	14 23/32" x 49 1/4"
DR1850	17 9/16" x 49 1/4"
DR1850 BUTT	17 23/32" x 49 1/4"
42" HIGH	
DR942	8 9/16" x 41 1/2"
DR1242	11 9/16" x 41 1/2"
DR1242 BUTT	11 23/32" x 41 1/2"
DR1242 WER DRILL	10 3/4" x 41 1/2"
DR1242 WER ND	10 3/4" x 41 1/2"
DR1342 BUTT	13 7/32" x 41 1/2"
DR1542	14 9/16" x 41 1/2"
DR1542 BUTT	14 23/32" x 41 1/2"
DR1642 BUTT	16 7/32" x 41 1/2"
DR1842	17 9/16" x 41 1/2"
DR1842 BUTT	17 23/32" x 41 1/2"
DR2142	20 9/16" x 41 1/2"
39" HIGH	
DR939	8 9/16" x 38 1/2"
DR1239	11 9/16" x 38 1/2"
DR1239 BUTT	11 23/32" x 38 1/2"
DR1239 WER DRILL	10 3/4" x 38 1/2"
DR1239 WER ND	10 3/4" x 38 1/2"
DR1339 BUTT	13 7/32" x 38 1/2"
DR1539	14 9/16" x 38 1/2"
DR1539 BUTT	14 23/32" x 38 1/2"
DR1639 BUTT	16 7/32" x 38 1/2"
DR1839	17 9/16" x 38 1/2"
DR1839 BUTT	17 23/32" x 38 1/2"
DR2139	20 9/16" x 38 1/2"
36" HIGH	
DR936	8 9/16" x 35 1/2"
DR1236	11 9/16" x 35 1/2"
DR1236 BUTT	11 23/32" x 35 1/2"
DR1236 WER DRILL	10 3/4" x 35 1/2"
DR1236 WER ND	10 3/4" x 35 1/2"
DR1336 BUTT	13 7/32" x 35 1/2"
DR1536	14 9/16" x 35 1/2"
DR1536 BUTT	14 23/32" x 35 1/2"
DR1636 BUTT	16 7/32" x 35 1/2"
DR1836	17 9/16" x 35 1/2"
DR1836 BUTT	17 23/32" x 35 1/2"
DR2136	20 9/16" x 35 1/2"

DOORS	
Specialty Doors, Solid Doors & ND Doors are the same dimension	
PART NAME	DIMENSION
30" HIGH	
DR930	8 9/16" x 29 1/2"
DR930 BER DRILL	7 3/4" x 29 7/8"
DR930 BER ND	7 3/4" x 29 7/8"
DR1230	11 9/16" x 29 1/2"
DR1230 BUTT	11 23/32" x 29 1/2"
DR1230 BER DRILL	10 3/4" x 29 7/8"
DR1230 BER ND	10 3/4" x 29 7/8"
DR1230 WER DRILL	10 3/4" x 29 1/2"
DR1230 WER ND	10 3/4" x 29 1/2"
DR1330 BUTT	13 7/32" x 29 1/2"
DR1530	14 9/16" x 29 1/2"
DR1530 BUTT	14 23/32" x 29 1/2"
DR1630 BUTT	16 7/32" x 29 1/2"
DR1830	17 9/16" x 29 1/2"
DR1830 BUTT	17 23/32" x 29 1/2"
DR2130	20 9/16" x 29 1/2"
DR2430	23 9/16" x 29 1/2"
27" HIGH	
DR1327 BUTT	13 7/32" x 26 1/2"
DR1527 BUTT	14 23/32" x 26 1/2"
DR1627 BUTT	16 7/32" x 26 1/2"
24" HIGH	
DR1224	11 9/16" x 23 7/8"
DR1224 BUTT	11 23/32" x 23 7/8"
DR1324 BUTT	13 7/32" x 23 7/8"
DR1524	14 9/16" x 23 7/8"
DR1524 BUTT	14 23/32" x 23 7/8"
DR1624 BUTT	16 7/32" x 23 7/8"
DR1824	17 9/16" x 23 7/8"
DR1824 BUTT	17 23/32" x 23 7/8"
DR2124	20 9/16" x 23 7/8"
21" HIGH	
DR1521 BUTT	14 23/32" x 20"
DR1521V BUTT	14 23/32" x 20"
DR1621 BUTT	16 7/32" x 20"
DR1621V BUTT	16 7/32" x 20"
DR1821 BUTT	17 23/32" x 20"
DR1821V BUTT	17 23/32" x 20"
DR1921	19 1/16" x 20"
DR1921V	19 1/16" x 20"

DOORS	
Specialty Doors, Solid Doors & ND Doors are the same dimension	
PART NAME	DIMENSION
18" HIGH	
DR1218	11 9/16" x 17 1/2"
DR1218 BUTT	11 23/32" x 17 1/2"
DR1318 BUTT	13 7/32" x 17 1/2"
DR1518	14 9/16" x 17 1/2"
DR1518 BUTT	14 23/32" x 17 1/2"
DR1618 BUTT	16 7/32" x 17 1/2"
DR1818	17 9/16" x 17 1/2"
DR1818 BUTT	17 23/32" x 17 1/2"
DR1918	19 1/16" x 17 1/2"
DR2118	20 9/16" x 17 1/2"
DR3018 WTH	29 1/2" x 17 9/16"
DR3618 WTH	35 1/2" x 17 9/16"
15" HIGH	
DR1515 BUTT	14 23/32" x 14 1/2"
DR1615 BUTT	16 7/32" x 14 1/2"
DR1815 BUTT	17 23/32" x 14 1/2"
DR1915	19 1/16" x 14 1/2"
DR3015 WTH	29 1/2" x 14 9/16"
DR3615 WTH	35 1/2" x 14 9/16"
12" HIGH	
DR1512 BUTT	14 23/32" x 11 1/2"
DR1612 BUTT	16 7/32" x 11 1/2"
DR1812 BUTT	17 23/32" x 11 1/2"
DR1912	19 1/16" x 11 1/2"
FULL-HEIGHT DOORS	
DR9FH	8 9/16" x 29 7/8"
DR12FH	11 9/16" x 29 7/8"
DR12BUTT FH	11 23/32" x 29 7/8"
DR15FH	14 9/16" x 29 7/8"
DR15BUTT FH	14 23/32" x 29 7/8"
DR18FH	17 9/16" x 29 7/8"
DR18BUTT FH	17 23/32" x 29 7/8"
DR21FH	20 9/16" x 29 7/8"
DRCBS36	14 9/16" x 29 7/8"

DOORS	
Specialty Doors, Solid Doors & ND Doors are the same dimension	
PART NAME	DIMENSION
DECORATOR DOORS	
DMDB	23 9/16" x 29 1/2"
DMDBEA12	11 9/16" x 29 7/8"
DMDW18	11 9/16" x 17 1/2"
DMDW24	11 9/16" x 23 7/8"
DMDW30	11 9/16" x 29 1/2"
DMDW36	11 9/16" x 35 1/2"
DMDW39	11 9/16" x 38 1/2"
DMDW42	11 9/16" x 41 1/2"
DMDT8424	11 9/16" x 29 1/2" 11 9/16" x 49 1/4"
DMDT9024	11 9/16" x 35 1/2" 11 9/16" x 49 1/4"
DMDT9324	11 9/16" x 38 1/2" 11 9/16" x 49 1/4"
DMDT9624	11 9/16" x 41 1/2" 11 9/16" x 49 1/4"

SHELVES	
PART NAME	DIMENSION
9" SHELF 3/4	7 1/4" x 10 1/4" x 3/4"
9" SHELF PLY	7 1/4" x 10 1/4" x 3/4"
9" SHELF 24DP 3/4	7 3/16" x 22 3/16" x 3/4"
9" SHELF 24DP PLY	7 3/16" x 22 3/16" x 3/4"
12" SHELF 3/4	10 1/4" x 10 1/4" x 3/4"
12" SHELF PB 3/4	10 3/16" x 22 3/16" x 3/4"
12" SHELF PB PLY	10 3/16" x 22 3/16" x 3/4"
12" SHELF PLY	10 1/4" x 10 1/4" x 3/4"
12" SHELF PW 3/4	10 1/4" x 10 1/4" x 3/4"
12" SHELF PW PLY	10 1/4" x 10 1/4" x 3/4"
12" SHELF 24DP 3/4	10 3/16" x 22 1/8" x 3/4"
15" SHELF 3/4	13 1/4" x 10 1/4" x 3/4"
15" SHELF PLY	13 1/4" x 10 1/4" x 3/4"
15" SHELF PW 3/4	13 1/4" x 10 1/4" x 3/4"
15" SHELF PW PLY	13 1/4" x 10 1/4" x 3/4"
15" SHELF 24DP 3/4	13 3/16" x 22 1/8" x 3/4"
18" SHELF 3/4	16 1/4" x 10 1/4" x 3/4"
18" SHELF PB 3/4	16 3/16" x 22 3/16" x 3/4"
18" SHELF PB PLY	16 3/16" x 22 3/16" x 3/4"
18" SHELF PLY	16 1/4" x 10 1/4" x 3/4"
18" SHELF PW 3/4	16 1/4" x 10 1/4" x 3/4"
18" SHELF PW PLY	16 1/4" x 10 1/4" x 3/4"
18" SHELF 24DP 3/4	16 3/16" x 22 1/8" x 3/4"
21" SHELF 3/4	19 1/4" x 10 1/4" x 3/4"
21" SHELF PLY	19 1/4" x 10 1/4" x 3/4"
21" SHELF 24DP 3/4	19 3/16" x 22 1/8" x 3/4"
24" SHELF 3/4	22 1/4" x 10 1/4" x 3/4"
24" SHELF PB 3/4	22 3/16" x 22 3/16" x 3/4"
24" SHELF PB PLY	22 3/16" x 22 3/16" x 3/4"
24" SHELF PLY	22 1/4" x 10 1/4" x 3/4"
24" SHELF PW 3/4	22 1/4" x 10 1/4" x 3/4"
24" SHELF PW PLY	22 1/4" x 10 1/4" x 3/4"
24" SHELF 24DP 3/4	22 3/16" x 22 1/8" x 3/4"
27" SHELF 3/4	25 1/4" x 10 1/4" x 3/4"
27" SHELF PLY	25 1/4" x 10 1/4" x 3/4"
27" SHELF 24DP 3/4	25 1/4" x 22 1/8" x 3/4"
30" SHELF 3/4	28 1/4" x 10 1/4" x 3/4"
30" SHELF PB 3/4	28 3/16" x 22 3/16" x 3/4"
30" SHELF PB PLY	28 3/16" x 22 3/16" x 3/4"
30" SHELF PLY	28 1/4" x 10 1/4" x 3/4"
30" SHELF PW 3/4	28 1/4" x 10 1/4" x 3/4"
30" SHELF PW PLY	28 1/4" x 10 1/4" x 3/4"
30" SHELF 24DP 3/4	28 1/4" x 22 1/8" x 3/4"
33" SHELF 3/4	31 1/4" x 10 1/4" x 3/4"
33" SHELF PLY	31 1/4" x 10 1/4" x 3/4"
33" SHELF 24DP 3/4	31 1/4" x 22 1/8" x 3/4"

SHELVES	
PART NAME	DIMENSION
36" SHELF 3/4	34 1/4" x 10 1/4" x 3/4"
36" SHELF PB 3/4	34 3/16" x 22 3/16" x 3/4"
36" SHELF PB PLY	34 3/16" x 22 3/16" x 3/4"
36" SHELF PLY	34 1/4" x 10 1/4" x 3/4"
36" SHELF PW 3/4	34 1/4" x 10 1/4" x 3/4"
36" SHELF PW PLY	34 1/4" x 10 1/4" x 3/4"
36" SHELF 24DP 3/4	34 1/4" x 22 1/8" x 3/4"
39" SHELF 3/4	37 1/4" x 10 1/4" x 3/4"
39" SHELF PLY	37 1/4" x 10 1/4" x 3/4"
39" SHELF 24DP 3/4	37 1/4" x 22 1/8" x 3/4"
42" SHELF 3/4	40 1/4" x 10 1/4" x 3/4"
42" SHELF PB 3/4	40 3/16" x 22 3/16" x 3/4"
42" SHELF PB PLY	40 3/16" x 22 3/16" x 3/4"
42" SHELF PLY	40 1/4" x 10 1/4" x 3/4"
42" SHELF 24DP 3/4	40 1/4" x 22 1/8" x 3/4"
45" SHELF 24DP 3/4	43 1/4" x 22 1/8" x 3/4"
45" SHELF 3/4	43 1/4" x 10 1/4" x 3/4"
45" SHELF PLY	43 1/4" x 10 1/4" x 3/4"
48" SHELF 24DP 3/4	46 1/4" x 22 1/8" x 3/4"
48" SHELF 3/4	46 1/4" x 10 1/4" x 3/4"
48" SHELF PLY	46 1/4" x 10 1/4" x 3/4"
S1521	13 3/16" x 18 7/8" x 3/4"
S1821	16 3/16" x 18 7/8" x 3/4"
S2421	22 3/16" x 18 7/8" x 3/4"
S1224	10 3/16" x 22 1/8" x 3/4"
S1524	13 3/16" x 22 1/8" x 3/4"
S1824	16 3/16" x 22 1/8" x 3/4"
S2424	22 3/16" x 22 1/8" x 3/4"
S2724	25 3/16" x 22 1/8" x 3/4"
S3024	28 3/16" x 22 1/8" x 3/4"
S3324	31 3/16" x 22 1/8" x 3/4"
S3624	34 3/16" x 22 1/8" x 3/4"
WMS2718 TOP SHELF	25 1/4" x 16 1/4" x 3/4"
WMS2718 TOPSHELFPLY	25 1/4" x 16 1/4" x 3/4"

GLASS INSERTS		
	66, 67, 68	60, 61, 62, 63, 64, 65
42" HIGH		
DGI-1242	8" x 37 15/16"	6 21/64" x 36 25/64"
DGI-1242 BUTT	8" x 37 15/16"	6 21/64" x 36 25/64"
DGI-1342 BUTT	9 1/2" x 37 15/16"	7 53/64" x 36 25/64"
DGI-1542	11" x 37 15/16"	9 21/64" x 36 25/64"
DGI-1542 BUTT	11" x 37 15/16"	9 21/64" x 36 25/64"
DGI-1642 BUTT	12 1/2" x 37 15/16"	10 53/64" x 36 25/64"
DGI-1842	14" x 37 15/16"	12 21/64" x 36 25/64"
DGI-1842 BUTT	14" x 37 15/16"	12 21/64" x 36 25/64"
DGI-1942	15 1/2" x 37 15/16"	13 53/64" x 36 25/64"
DGI-2142	17" x 37 15/16"	15 21/64" x 36 25/64"
39" HIGH		
DGI-1239	8" x 34 15/16"	6 21/64" x 33 25/64"
DGI-1239 BUTT	8" x 34 15/16"	6 21/64" x 33 25/64"
DGI-1339 BUTT	9 1/2" x 34 15/16"	7 53/64" x 33 25/64"
DGI-1539	11" x 34 15/16"	9 21/64" x 33 25/64"
DGI-1539 BUTT	11" x 34 15/16"	9 21/64" x 33 25/64"
DGI-1639 BUTT	12 1/2" x 34 15/16"	10 53/64" x 33 25/64"
DGI-1839	14" x 34 15/16"	12 21/64" x 33 25/64"
DGI-1839 BUTT	14" x 34 15/16"	12 21/64" x 33 25/64"
DGI-2139	17" x 34 15/16"	15 21/64" x 33 25/64"
36" HIGH		
DGI-1236	8" x 31 15/16"	6 21/64" x 30 25/64"
DGI-1236 BUTT	8" x 31 15/16"	6 21/64" x 30 25/64"
DGI-1336 BUTT	9 1/2" x 31 15/16"	7 53/64" x 30 25/64"
DGI-1536	11" x 31 15/16"	9 21/64" x 30 25/64"
DGI-1536 BUTT	11" x 31 15/16"	9 21/64" x 30 25/64"
DGI-1636 BUTT	12 1/2" x 31 15/16"	10 53/64" x 30 25/64"
DGI-1836	14" x 31 15/16"	12 21/64" x 30 25/64"
DGI-1836 BUTT	14" x 31 15/16"	12 21/64" x 30 25/64"
DGI-1936	15 1/2" x 31 15/16"	13 53/64" x 30 25/64"
DGI-2136	17" x 31 15/16"	15 21/64" x 30 25/64"
30" HIGH		
DGI-1230	8" x 25 15/16"	6 21/64" x 24 25/64"
DGI-1230 BUTT	8" x 25 15/16"	6 21/64" x 24 25/64"
DGI-1330 BUTT	9 1/2" x 25 15/16"	7 53/64" x 24 25/64"
DGI-1530	11" x 25 15/16"	9 21/64" x 24 25/64"
DGI-1530 BUTT	11" x 25 15/16"	9 21/64" x 24 25/64"
DGI-1630 BUTT	12 1/2" x 25 15/16"	10 53/64" x 24 25/64"
DGI-1830	14" x 25 15/16"	12 21/64" x 24 25/64"
DGI-1830 BUTT	14" x 25 15/16"	12 21/64" x 24 25/64"
DGI-1930	15 1/2" x 25 15/16"	13 53/64" x 24 25/64"
DGI-2130	17" x 25 15/16"	15 21/64" x 24 25/64"
27" HIGH		
DGI-1527 BUTT	11" x 22 15/16"	9 21/64" x 21 25/64"

GLASS INSERTS		
	66, 67, 68	60, 61, 62, 63, 64, 65
24" HIGH		
DGI-1224	8" x 20 5/16"	6 21/64" x 18 49/64"
DGI-1224 BUTT	8" x 20 5/16"	6 21/64" x 18 49/64"
DGI-1324 BUTT	9 1/2" x 20 5/16"	7 53/64" x 18 49/64"
DGI-1524	11" x 20 5/16"	9 21/64" x 18 49/64"
DGI-1524 BUTT	11" x 20 5/16"	9 21/64" x 18 49/64"
DGI-1624 BUTT	12 1/2" x 20 5/16"	10 53/64" x 18 49/64"
DGI-1824	14" x 20 5/16"	12 21/64" x 18 49/64"
DGI-1824 BUTT	14" x 20 5/16"	12 21/64" x 18 49/64"
DGI-1924	15 1/2" x 20 5/16"	13 53/64" x 18 49/64"
DGI-2124	17" x 20 5/16"	15 21/64" x 18 49/64"
21" HIGH		
DGI-1521 BUTT	11" x 16 7/16"	9 21/64" x 14 57/64"
DGI-1621 BUTT	12 1/2" x 16 7/16"	10 53/64" x 14 57/64"
DGI-1821 BUTT	14" x 16 7/16"	12 21/64" x 14 57/64"
DGI-1921	15 1/2" x 16 7/16"	13 53/64" x 14 57/64"
18" HIGH		
DGI-1218	8" x 13 15/16"	6 21/64" x 12 25/64"
DGI-1218 BUTT	8" x 13 15/16"	6 21/64" x 12 25/64"
DGI-1318 BUTT	9 1/2" x 13 15/16"	7 53/64" x 12 25/64"
DGI-1518	11" x 13 15/16"	9 21/64" x 12 25/64"
DGI-1518 BUTT	11" x 13 15/16"	9 21/64" x 12 25/64"
DGI-1618 BUTT	12 1/2" x 13 15/16"	10 53/64" x 12 25/64"
DGI-1818	14" x 13 15/16"	12 21/64" x 12 25/64"
DGI-1818 BUTT	14" x 13 15/16"	12 21/64" x 12 25/64"
DGI-1918	15 1/2" x 13 15/16"	13 53/64" x 12 25/64"
DGI-2118	17" x 13 15/16"	15 21/64" x 12 25/64"
15" HIGH		
DGI-1515 BUTT	11" x 10 15/16"	9 21/64" x 9 25/64"
DGI-1615 BUTT	12 1/2" x 10 15/16"	10 53/64" x 9 25/64"
DGI-1815 BUTT	14" x 10 15/16"	12 21/64" x 9 25/64"
DGI-1915	15 1/2" x 10 15/16"	13 53/64" x 9 25/64"
12" HIGH		
DGI-1512 BUTT	11" x 7 15/16"	9 21/64" x 6 25/64"
DGI-1612 BUTT	12 1/2" x 7 15/16"	10 53/64" x 6 25/64"
DGI-1812 BUTT	14" x 7 15/16"	12 21/64" x 6 25/64"
DGI-1912	15 1/2" x 7 15/16"	13 53/64" x 6 25/64"

ROLL OUT ACCESSORIES	
PART NAME	DIMENSION
ROLL OUT TRAYS	
DROT12	7 3/4" x 21" x 3 3/8"
DROT15	10 3/4" x 21" x 3 3/8"
DROT18	13 3/4" x 21" x 3 3/8"
DROT21	16 3/4" x 21" x 3 3/8"
DROT24	19 3/4" x 21" x 3 3/8"
DROT27	22 3/4" x 21" x 3 3/8"
DROT30	25 3/4" x 21" x 3 3/8"
DROT33	28 3/4" x 21" x 3 3/8"
DROT36	31 3/4" x 21" x 3 3/8"
DROT1221	7 3/4" x 18" x 3 3/8"
DROT1521	10 3/4" x 18" x 3 3/8"
DROT1821	13 3/4" x 18" x 3 3/8"
DROT2421	19 3/4" x 18" x 3 3/8"
BASE POT & PAN ORGANIZERS	
BPPOK24	19 3/4" X 21" X 19"
BPPOK27	22 3/4" X 21" X 19"
BPPOK30	25 3/4" X 21" X 19"
BPPOK33	28 3/4" X 21" X 19"
BPPOK36	31 3/4" X 21" X 19"
ROLL OUT TRAY DIVIDERS	
ROTDK12	7 3/4" x 21"
ROTDK15	10 3/4" x 21"

DRAWER FRONTS	
PART NAME	DIMENSION
STANDARD DRAWER FRONT	
DDF12	11 9/16" x 5 13/16"
DDF15	14 9/16" x 5 13/16"
DDF18	17 9/16" x 5 13/16"
DDF19	19 1/16" x 5 13/16"
DDF21	20 9/16" x 5 13/16"
DDF24	23 9/16" x 5 13/16"
DDF27	26 9/16" x 5 13/16"
DDF30	29 9/16" x 5 13/16"
DDF33	32 9/16" x 5 13/16"
DDF36	35 9/16" x 5 13/16"
DDFOV27	26 9/16" x 7 7/16"
DDFOV30	29 9/16" x 7 7/16"
DDVOV33	32 9/16" x 7 7/16"
DDF18 DRILL	17 9/16" x 5 13/16"
DDF19 DRILL	19 1/16" x 5 13/16"
DDF21 DRILL	20 9/16" x 5 13/16"
DDF24 DRILL	23 9/16" x 5 13/16"
DDF27 DRILL	26 9/16" x 5 13/16"
DDF30 DRILL	29 9/16" x 5 13/16"
DDF33 DRILL	32 9/16" x 5 13/16"
DDF36 DRILL	35 9/16" x 5 13/16"
LARGE DRAWER FRONT	
DDF12M	11 9/16" x 11 27/32"
DDF15M	14 9/16" x 11 27/32"
DDF18M	17 9/16" x 11 27/32"
DDF21M	20 9/16" x 11 27/32"
DDF24M	23 9/16" x 11 27/32"
DDF27M	26 9/16" x 11 27/32"
DDF30M	29 9/16" x 11 27/32"
DDF33M	32 9/16" x 11 27/32"
DDF36M	35 9/16" x 11 27/32"
2DB DRAWER FRONT	
DDF30 2DB	29 9/16" x 14 27/32"
DDF36 2DB	35 9/16" x 14 27/32"
MISC DRAWER FRONT	
DDFKDC27/21	20 9/16" x 4 7/16"
DDFKDC33/27	26 9/16" x 4 7/16"
DDFKDC36/33	32 9/16" x 4 7/16"
DDF SDC	5 11/16" x 5 1/2" x 1/2"

essential DRAWER BODIES	
PART NAME	DIMENSION
18" DEEP	
DRB10 X 18DP DT SG	6 7/32" x 3 19/32" x 18"
DRB12 X 18DP DT SG	7 23/32" x 3 19/32" x 18"
DRB12M X 18DP DT SG	7 23/32" x 6 11/16" x 18"
DRB15 X 18DP DT SG	10 23/32" x 3 19/32" x 18"
DRB15M X 18DP DT SG	10 23/32" x 6 11/16" x 18"
DRB18 X 18DP DT SG	13 23/32" x 3 19/32" x 18"
DRB18M X 18DP DT SG	13 23/32" x 6 11/16" x 18"
DRB19 X 18DP DT SG	14 23/32" x 3 19/32" x 18"
DRB21 X 18DP DT SG	16 23/32" x 3 19/32" x 18"
DRB21M X 18DP DT SG	16 23/32" x 6 11/16" x 18"
DRB24 X 18DP DT SG	19 23/32" x 3 19/32" x 18"
DRB24M X 18DP DT SG	19 23/32" x 6 11/16" x 18"
DRB27 X 18DP DT SG	22 23/32" x 3 19/32" x 18"
DRB27M X 18DP DT SG	22 23/32" x 6 11/16" x 18"
DRB30 X 18DP DT SG	25 23/32" x 3 19/32" x 18"
DRB30M X 18DP DT SG	25 23/32" x 6 11/16" x 18"
DRB33 X 18DP DT SG	28 23/32" x 3 19/32" x 18"
DRB33M X 18DP DT SG	28 23/32" x 6 11/16" x 18"
DRB36 X 18DP DT SG	31 23/32" x 3 19/32" x 18"
DRB36M X 18DP DT SG	31 23/32" x 6 11/16" x 18"
15" DEEP	
DRB10 X 15DP DT SG	6 7/32" x 3 19/32" x 15"
DRB12 X 15DP DT SG	7 23/32" x 3 19/32" x 15"
DRB12M X 15DP DT SG	7 23/32" x 6 11/16" x 15"
DRB15 X 15DP DT SG	10 23/32" x 3 19/32" x 15"
DRB15M X 15DP DT SG	10 23/32" x 6 11/16" x 15"
DRB18 X 15DP DT SG	13 23/32" x 3 19/32" x 15"
DRB18M X 15DP DT SG	13 23/32" x 6 11/16" x 15"
DRB19 X 15DP DT SG	14 23/32" x 3 19/32" x 15"
DRB21 X 15DP DT SG	16 23/32" x 3 19/32" x 15"
DRB21M X 15DP DT SG	16 23/32" x 6 11/16" x 15"
DRB24 X 15DP DT SG	19 23/32" x 3 19/32" x 15"
DRB24M X 15DP DT SG	19 23/32" x 6 11/16" x 15"
DRB27 X 15DP DT SG	22 23/32" x 3 19/32" x 15"
DRB27M X 15DP DT SG	22 23/32" x 6 11/16" x 15"
DRB30 X 15DP DT SG	25 23/32" x 3 19/32" x 15"
DRB30M X 15DP DT SG	25 23/32" x 6 11/16" x 15"
DRB33 X 15DP DT SG	28 23/32" x 3 19/32" x 15"
DRB33M X 15DP DT SG	28 23/32" x 6 11/16" x 15"
DRB36 X 15DP DT SG	31 23/32" x 3 19/32" x 15"
DRB36M X 15DP DT SG	31 23/32" x 6 11/16" x 15"
DRBKDC27X 15DP DT SG	16 23/32" x 2 15/32" x 15"
DRBKDC33X 15DP DT SG	22 23/32" x 2 15/32" x 15"
DRBKDC36X 15DP DT SG	28 23/32" x 2 15/32" x 15"

essential DRAWER BODIES	
PART NAME	DIMENSION
12" DEEP	
DRB10 X 12DP DT SG	7 23/32" x 3 19/32" x 12"
DRB12 X 12DP DT SG	7 23/32" x 3 19/32" x 12"
DRB12M X 12DP DT SG	7 23/32" x 6 11/16" x 12"
DRB15 X 12DP DT SG	10 23/32" x 3 19/32" x 12"
DRB15M X 12DP DT SG	10 23/32" x 6 11/16" x 12"
DRB18 X 12DP DT SG	13 23/32" x 3 19/32" x 12"
DRB18M X 12DP DT SG	13 23/32" x 6 11/16" x 12"
DRB19 X 12DP DT SG	14 23/32" x 3 19/32" x 12"
DRB21 X 12DP DT SG	16 23/32" x 3 19/32" x 12"
DRB21M X 12DP DT SG	16 23/32" x 6 11/16" x 12"
DRB24 X 12DP DT SG	19 23/32" x 3 19/32" x 12"
DRB24M X 12DP DT SG	19 23/32" x 6 11/16" x 12"
DRB27 X 12DP DT SG	22 23/32" x 3 19/32" x 12"
DRB27M X 12DP DT SG	22 23/32" x 6 11/16" x 12"
DRB30 X 12DP DT SG	25 23/32" x 3 19/32" x 12"
DRB30M X 12DP DT SG	25 23/32" x 6 11/16" x 12"
DRB33 X 12DP DT SG	28 23/32" x 3 19/32" x 12"
DRB33M X 12DP DT SG	28 23/32" x 6 11/16" x 12"
DRB36 X 12DP DT SG	31 23/32" x 3 19/32" x 12"
DRB36M X 12DP DT SG	31 23/32" x 6 11/16" x 12"
DRBKDC27X 12DP DT SG	16 23/32" x 2 15/32" x 12"
DRBKDC33X 12DP DT SG	22 23/32" x 2 15/32" x 12"
DRBKDC36X 12DP DT SG	28 23/32" x 2 15/32" x 12"
9" DEEP	
DRB10 X 9DP DT SG	7 23/32" x 3 19/32" x 9"
DRB12 X 9DP DT SG	7 23/32" x 3 19/32" x 9"
DRB12M X 9DP DT SG	7 23/32" x 6 11/16" x 9"
DRB15 X 9DP DT SG	10 23/32" x 3 19/32" x 9"
DRB15M X 9DP DT SG	10 23/32" x 6 11/16" x 9"
DRB18 X 9DP DT SG	13 23/32" x 3 19/32" x 9"
DRB18M X 9DP DT SG	13 23/32" x 6 11/16" x 9"
DRB19 X 9DP DT SG	14 23/32" x 3 19/32" x 9"
DRB21 X 9DP DT SG	16 23/32" x 3 19/32" x 9"
DRB21M X 9DP DT SG	16 23/32" x 6 11/16" x 9"
DRB24 X 9DP DT SG	19 23/32" x 3 19/32" x 9"
DRB24M X 9DP DT SG	19 23/32" x 6 11/16" x 9"
DRB27 X 9DP DT SG	22 23/32" x 3 19/32" x 9"
DRB27M X 9DP DT SG	22 23/32" x 6 11/16" x 9"
DRB30 X 9DP DT SG	25 23/32" x 3 19/32" x 9"
DRB30M X 9DP DT SG	25 23/32" x 6 11/16" x 9"
DRB33 X 9DP DT SG	28 23/32" x 3 19/32" x 9"
DRB33M X 9DP DT SG	28 23/32" x 6 11/16" x 9"
DRB36 X 9DP DT SG	31 23/32" x 3 19/32" x 9"
DRB36M X 9DP DT SG	31 23/32" x 6 11/16" x 9"
DRBKDC27X 9DP DT SG	16 23/32" x 2 15/32" x 9"
DRBKDC33X 9DP DT SG	22 23/32" x 2 15/32" x 9"
DRBKDC36X 9DP DT SG	28 23/32" x 2 15/32" x 9"

select & luxury DRAWER BODIES	
PART NAME	DIMENSION
21" DEEP	
DRB12 X 21DP DT FD	8 1/16" x 3 15/32" x 21"
DRB12M X 21DP DT FD	8 1/16" x 6 15/16" x 21"
DRB15 X 21DP DT FD	11 1/16" x 3 15/32" x 21"
DRB15M X 21DP DT FD	11 1/16" x 6 15/16" x 21"
DRB18 X 21DP DT FD	14 1/16" x 3 15/32" x 21"
DRB18M X 21DP DT FD	14 1/16" x 6 15/16" x 21"
DRB19 X 21DP DT FD	15 9/16" x 3 15/32" x 21"
DRB21 X 21DP DT FD	17 1/16" x 3 15/32" x 21"
DRB21M X 21DP DT FD	17 1/16" x 6 15/16" x 21"
DRB24 X 21DP DT FD	20 1/16" x 3 15/32" x 21"
DRB24M X 21DP DT FD	20 1/16" x 6 15/16" x 21"
DRB27 X 21DP DT FD	23 1/16" x 3 15/32" x 21"
DRB27M X 21DP DT FD	23 1/16" x 6 15/16" x 21"
DRB30 X 21DP DT FD	26 1/16" x 3 15/32" x 21"
DRB30M X 21DP DT FD	26 1/16" x 6 15/16" x 21"
DRB33 X 21DP DT FD	29 1/16" x 3 15/32" x 21"
DRB33M X 21DP DT FD	29 1/16" x 6 15/16" x 21"
DRB36 X 21DP DT FD	32 1/16" x 3 15/32" x 21"
DRB36M X 21DP DT FD	32 1/16" x 6 15/16" x 21"
18" DEEP	
DRB10 X 18DP DT FD	7 1/16" x 3 15/32" x 18"
DRB12 X 18DP DT FD	8 1/16" x 3 15/32" x 18"
DRB12M X 18DP DT FD	8 1/16" x 6 15/16" x 18"
DRB15 X 18DP DT FD	11 1/16" x 3 15/32" x 18"
DRB15M X 18DP DT FD	11 1/16" x 6 15/16" x 18"
DRB18 X 18DP DT FD	14 1/16" x 3 15/32" x 18"
DRB18M X 18DP DT FD	14 1/16" x 6 15/16" x 18"
DRB19 X 18DP DT FD	15 9/16" x 3 15/32" x 18"
DRB21 X 18DP DT FD	17 1/16" x 3 15/32" x 18"
DRB21M X 18DP DT FD	17 1/16" x 6 15/16" x 18"
DRB24 X 18DP DT FD	20 1/16" x 3 15/32" x 18"
DRB24M X 18DP DT FD	20 1/16" x 6 15/16" x 18"
DRB27 X 18DP DT FD	23 1/16" x 3 15/32" x 18"
DRB27M X 18DP DT FD	23 1/16" x 6 15/16" x 18"
DRB30 X 18DP DT FD	26 1/16" x 3 15/32" x 18"
DRB30M X 18DP DT FD	26 1/16" x 6 15/16" x 18"
DRB33 X 18DP DT FD	29 1/16" x 3 15/32" x 18"
DRB33M X 18DP DT FD	29 1/16" x 6 15/16" x 18"
DRB36 X 18DP DT FD	32 1/16" x 3 15/32" x 18"
DRB36M X 18DP DT FD	32 1/16" x 6 15/16" x 18"

select & luxury DRAWER BODIES	
PART NAME	DIMENSION
15" DEEP	
DRB10 X 15DP DT FD	7 1/16" x 3 15/32" x 15"
DRB12 X 15DP DT FD	8 1/16" x 3 15/32" x 15"
DRB12M X 15DP DT FD	8 1/16" x 6 15/16" x 15"
DRB15 X 15DP DT FD	11 1/16" x 3 15/32" x 15"
DRB15M X 15DP DT FD	11 1/16" x 6 15/16" x 15"
DRB18 X 15DP DT FD	14 1/16" x 3 15/32" x 15"
DRB18M X 15DP DT FD	14 1/16" x 6 15/16" x 15"
DRB19 X 15DP DT FD	15 9/16" x 3 15/32" x 15"
DRB21 X 15DP DT FD	17 1/16" x 3 15/32" x 15"
DRB21M X 15DP DT FD	17 1/16" x 6 15/16" x 15"
DRB24 X 15DP DT FD	20 1/16" x 3 15/32" x 15"
DRB24M X 15DP DT FD	20 1/16" x 6 15/16" x 15"
DRB27 X 15DP DT FD	23 1/16" x 3 15/32" x 15"
DRB27M X 15DP DT FD	23 1/16" x 6 15/16" x 15"
DRB30 X 15DP DT FD	26 1/16" x 3 15/32" x 15"
DRB30M X 15DP DT FD	26 1/16" x 6 15/16" x 15"
DRB33 X 15DP DT FD	29 1/16" x 3 15/32" x 15"
DRB33M X 15DP DT FD	29 1/16" x 6 15/16" x 15"
DRB36 X 15DP DT FD	32 1/16" x 3 15/32" x 15"
DRB36M X 15DP DT FD	32 1/16" x 6 15/16" x 15"
DRBKDC27X 15DP DT FD	16 23/32" x 2 15/32" x 15"
DRBKDC33X 15DP DT FD	22 23/32" x 2 15/32" x 15"
DRBKDC36X 15DP DT FD	28 23/32" x 2 15/32" x 15"
12" DEEP	
DRB10 X 12DP DT FD	7 1/16" x 3 15/32" x 12"
DRB12 X 12DP DT FD	8 1/16" x 3 15/32" x 12"
DRB12M X 12DP DT FD	8 1/16" x 6 15/16" x 12"
DRB15 X 12DP DT FD	11 1/16" x 3 15/32" x 12"
DRB15M X 12DP DT FD	11 1/16" x 6 15/16" x 12"
DRB18 X 12DP DT FD	14 1/16" x 3 15/32" x 12"
DRB18M X 12DP DT FD	14 1/16" x 6 15/16" x 12"
DRB19 X 12DP DT FD	15 9/16" x 3 15/32" x 12"
DRB21 X 12DP DT FD	17 1/16" x 3 15/32" x 12"
DRB21M X 12DP DT FD	17 1/16" x 6 15/16" x 12"
DRB24 X 12DP DT FD	20 1/16" x 3 15/32" x 12"
DRB24M X 12DP DT FD	20 1/16" x 6 15/16" x 12"
DRB27 X 12DP DT FD	23 1/16" x 3 15/32" x 12"
DRB27M X 12DP DT FD	23 1/16" x 6 15/16" x 12"
DRB30 X 12DP DT FD	26 1/16" x 3 15/32" x 12"
DRB30M X 12DP DT FD	26 1/16" x 6 15/16" x 12"
DRB33 X 12DP DT FD	29 1/16" x 3 15/32" x 12"
DRB33M X 12DP DT FD	29 1/16" x 6 15/16" x 12"
DRB36 X 12DP DT FD	32 1/16" x 3 15/32" x 12"
DRB36M X 12DP DT FD	32 1/16" x 6 15/16" x 12"
DRBKDC27X 12DP DT FD	16 23/32" x 2 15/32" x 12"
DRBKDC33X 12DP DT FD	22 23/32" x 2 15/32" x 12"
DRBKDC36X 12DP DT FD	28 23/32" x 2 15/32" x 12"

select & luxury DRAWER BODIES	
PART NAME	DIMENSION
9" DEEP	
DRB10 X 9DP DT FD	7 1/16" x 3 15/32" x 9 7/16"
DRB12 X 9DP DT FD	8 1/16" x 3 15/32" x 9 7/16"
DRB12M X 9DP DT FD	8 1/16" x 6 15/16" x 9 7/16"
DRB15 X 9DP DT FD	11 1/16" x 3 15/32" x 9 7/16"
DRB15M X 9DP DT FD	11 1/16" x 6 15/16" x 9 7/16"
DRB18 X 9DP DT FD	14 1/16" x 3 15/32" x 9 7/16"
DRB18M X 9DP DT FD	14 1/16" x 6 15/16" x 9 7/16"
DRB19 X 9DP DT FD	15 9/16" x 3 15/32" x 9 7/16"
DRB21 X 9DP DT FD	17 1/16" x 3 15/32" x 9 7/16"
DRB21M X 9DP DT FD	17 1/16" x 6 15/16" x 9 7/16"
DRB24 X 9DP DT FD	20 1/16" x 3 15/32" x 9 7/16"
DRB24M X 9DP DT FD	20 1/16" x 6 15/16" x 9 7/16"
DRB27 X 9DP DT FD	23 1/16" x 3 15/32" x 9 7/16"
DRB27M X 9DP DT FD	23 1/16" x 6 15/16" x 9 7/16"
DRB30 X 9DP DT FD	26 1/16" x 3 15/32" x 9 7/16"
DRB30M X 9DP DT FD	26 1/16" x 6 15/16" x 9 7/16"
DRB33 X 9DP DT FD	29 1/16" x 3 15/32" x 9 7/16"
DRB33M X 9DP DT FD	29 1/16" x 6 15/16" x 9 7/16"
DRB36 X 9DP DT FD	32 1/16" x 3 15/32" x 9 7/16"
DRBKDC27X 9DP DT FD	16 23/32" x 2 15/32" x 9 7/16"
DRBKDC33X 9DP DT FD	22 23/32" x 2 15/32" x 9 7/16"
DRBKDC36X 9DP DT FD	28 23/32" x 2 15/32" x 9 7/16"

2DB DRAWER BODIES	
PART NAME	DIMENSION
DRB30 HD X 21DPDTFD	26 1/32" x 7 5/16" x 21"
DRB36 HD X 21DPDTFD	32 1/32" x 7 5/16" x 21"
DRB30 HD X 18DPDTFD	26 1/32" x 7 5/16" x 18"
DRB36 HD X 18DPDTFD	32 1/32" x 7 5/16" x 18"

MISC DRAWER BODIES	
PART NAME	DIMENSION
DRB6 BSDC6	4 29/32" x 22 15/16" x 4 3/4"
DRB6 SDC30	4 29/32" x 10 15/16" x 4 3/4"

Miscellaneous Parts & Accessories

essential Hinges

PART NAME	DESCRIPTION
HINGE 170 FRAMED	Door-to-frame hinge for BER, BSS, CAR or WER cabinet
HINGE ER	Hinge that connects bifold doors for BER, BSS, CAR or WER cabinet
HINGE FOL 6WY 45	Hinge with 6-Way Adjustment
HINGE FOL OVEN 45	Hinge for Facemount Oven Applications
HINGE TILT OUT 45	Hinge for Factory Installed Tilt-Out Tray

select & luxury Hinges

PART NAME	DESCRIPTION
HINGE 170 FRAMED	Door-to-frame hinge for BER, BSS, CAR or WER cabinet
HINGE ER	Hinge that connects bifold doors for BER, BSS, CAR or WER cabinet
HINGE TILT OUT 45	Hinge for Factory Installed Tilt-Out Tray
HINGE FOL CC6WY 45	Hinge with 6-Way Adjustment and Soft-Close for ANNSCROFT, BICKERSHIRE, PATTINGHAM, BRAMBLETON, DAWLEY and TUCKHILL door styles
HINGE FOL CC6WY 45DP	Hinge with 6-Way Adjustment and Soft-Close for AVELEY, PORT, STONEWALL and TENLEY door styles
HINGE FOL CCOVEN 45	Hinge with Soft-Close for Facemount Oven Applications
HINGE FOL 6WY 45	Hinge with 6-Way Adjustment for Wall Top Hinge cabinets (WTH)
HINGE CC ANG RES CLP	Door Opening Angle Restriction Clip, 86 Degrees (for use on Integrated Soft-Close Hinges Only, 10 per pack)
HINGE SPACER SHIM	Spacer Shim installed between the Hinge and Face Frame, adds inward left/right adjustment (for use on all hinges as needed, 10 per pack)

Glides/Tracks/Channels for essential
24" Deep Base & 24" Deep Roll Out Trays

PART NAME	DESCRIPTION
CHANNEL SS1 L	Left channel for side-mount Deep Roll Out Tray
CHANNEL SS1 R	Right channel for side-mount Deep Roll Out Tray
TRACK GA 21L	Left track for side-mount Deep Roll Out Tray or Base cabinet
TRACK GA 21R	Right track for side-mount Deep Roll Out Tray or Base cabinet
CHANNEL 21L	Left channel for side-mount Base cabinet
CHANNEL 21R	Right channel for side-mount Base cabinet
GLIDE DROTCCCL24	Left Soft-Close Glide for Scalloped Full Width Tray (SDROT) on 2 Drawer Base cabinet
GLIDE DROTCCR24	Right Soft-Close Glide for Scalloped Full Width Tray (SDROT) on 2 Drawer Base cabinet
GLIDE FAL24	Left Glide for Factory Installed Drawer Accessory cabinet – top drawer only
GLIDE FAR24	Right Glide for Factory Installed Drawer Accessory cabinet – top drawer only
GLIDE FD NCL24	Left Glide for Factory Installed Drawer Accessory cabinet – top drawer only
GLIDE FD NCR24	Right Glide for Factory Installed Drawer Accessory cabinet – top drawer only

Glides for select & luxury 24" Deep Base & 24" Deep Roll Out Trays

PART NAME	DESCRIPTION
GLIDE FD CCL24	Left Soft-Close Glide for 24" deep Base
GLIDE FD CCR24	Right Soft-Close Glide for 24" deep Base
GLIDE DROTCCCL24	Left Soft-Close Glide for DROT, BPPOK, ROTDK, SDROT
GLIDE DROTCCR24	Right Soft-Close Glide for DROT, BPPOK, ROTDK, SDROT

Glides for essential, select & luxury Two Drawer Bases & Wastebasket Cabinets

PART NAME	DESCRIPTION
GLIDE HD CCL21	Left Soft-Close Glide for RD 2DB'S or 21" Deep Desk Wastebasket Cabinets
GLIDE HD CCR21	Right Soft-Close Glide for RD 2DB'S or 21" Deep Desk Wastebasket Cabinets
GLIDE HD FAL21	Left Full Access Glide for RD 2DB'S or 21" Deep Desk Wastebasket Cabinets
GLIDE HD FAR21	Right Full Access Glide for RD 2DB'S or 21" Deep Desk Wastebasket Cabinets
GLIDE HD CCL24	Left Soft-Close Glide for 2 Drawer Base or Wastebasket Cabinets
GLIDE HD CCR24	Right Soft-Close Glide for 2 Drawer Base or Wastebasket Cabinets
GLIDE HD FAL24	Left Full Access Hidden Glide for 2 Drawer Base or Wastebasket Cabinets
GLIDE HD FAR24	Right Full Access Hidden Glide for 2 Drawer Base or Wastebasket Cabinets

Tracks/Channels for essential 21" Deep Desk, Vanity and Vanity Linen Cabinets

PART NAME	DESCRIPTION
CHANNEL V L	Left channel for 21" deep Vanity, Desk, or Vanity Linen side mount DROT
CHANNEL V R	Right channel for 21" deep Vanity, Desk or Vanity Linen side mount DROT
TRACK V L	Left track for 21" deep Vanity, Desk, or Vanity Linen side mount DROT
TRACK V R	Right track for 21" deep Vanity, Desk or Vanity Linen side mount DROT
GLIDE HD CCL21	Left CushionClose Glide for Vanity Wastebasket Cabinets
GLIDE HD CCR21	Right CushionClose Glide for Vanity Wastebasket Cabinets

Tracks/Channels for select & luxury 21" Deep Desk, Vanity and Vanity Linen Cabinets

PART NAME	DESCRIPTION
GLIDE DROTCCCLVLC	Left CushionClose Glide for 21" deep Vanity, Desk or Vanity Linen DROTCC
GLIDE DROTCCRVLCC	Right CushionClose Glide for 21" deep Vanity, Desk or Vanity Linen DROTCC
GLIDE FD CCL VAN21	Left CushionClose Glide (21" deep Vanity/Desk)
GLIDE FD CCR VAN21	Right CushionClose Glide (21" deep Vanity/Desk)
GLIDE HD CCL21	Left CushionClose Glide for Vanity Wastebasket Cabinets
GLIDE HD CCR21	Right CushionClose Glide for Vanity Wastebasket Cabinets

Miscellaneous Parts & Accessories

Glides for select & luxury 18" Deep Knee-hole Drawer Cabinet

PART NAME	DESCRIPTION
GLIDE FD CCL18	Left Soft-Close Glide for 18" deep Knee-hole Drawer
GLIDE FD CCR18	Right Soft-Close Glide for 18" deep Knee-hole Drawer

Tracks/Channels for essential 18" Deep Knee-hole Drawer Cabinet

PART NAME	DESCRIPTION
CHANNEL V 18L	Left channel for 18" deep Knee-hole Drawer
CHANNEL V 18R	Right channel for 18" deep Knee-hole Drawer
TRACK GA 16L	Left track for 18" deep Knee-hole Drawer
TRACK GA 16R	Right track for 18" deep Knee-hole Drawer

Wood Spin Shelf Units for essential & select Construction Package

PART NAME	DESCRIPTION
BSS33 SHELF WD NP	Wood spin unit and shelf for BSS33 WD (2 required)
BSS3336 SHELF WD NP	Wood spin unit and shelf for BSS3336 WD (2 required)
BSS36 SHELF WD NP	Wood spin unit and shelf for BSS36 WD (2 required)
BSS3633 SHELF WD NP	Wood spin unit and shelf for BSS3633 WD (2 required)
CBS36 SHELF WD NP	Wood spin unit and shelf for CBS36 WD (2 required)
CWS24 SHELF WD NP	Wood spin unit and shelf for CWS2430 WD, CWS2436 WD and CWS2442 WD (2 required)
CWS24 SHELFWDNPMI	Wood spin unit and Matching Interior shelf for CWS2430 WD, CWS2436 WD and CWS2442 WD

Tilt-Out Tray Kits (Field Installed)

PART NAME	DESCRIPTION
BSS33 SHLF WD NP PLY	Wood spin unit and shelf for BSS33 WD (2 required)
BSS3336 SHLFWDNP PLY	Wood spin unit and shelf for BSS3336 WD (2 required)
BSS36 SHLF WD NP PLY	Wood spin unit and shelf for BSS36 WD (2 required)
BSS3633 SHLFWDNP PLY	Wood spin unit and shelf for BSS3633 WD (2 required)
CBS36 SHLF WD NP PLY	Wood spin unit and shelf for CBS36 WD (2 required)
CWS24 SHLF WD NP PLY	Wood spin unit and shelf for CWS2430 WD, CWS2436 WD and CWS2442 WD (2 required)
CWS24 SHELFWDNPMPLY	Wood spin unit and Matching Interior shelf for CWS2430 WD, CWS2436 WD and CWS2442 WD (2 required)

Clips/Brackets

PART NAME	DESCRIPTION
BRACKET CHAN B	Back bracket for side-mount glides
BRACKET GL HD BOT	Bottom bracket for 2 Drawer Base or Wastebasket Cabinets
BRACKET GL B DROTAL	Left back bracket for DROT CushionClose Glides
BRACKET GL B DROTFR	Right back bracket for DROT CushionClose Glides
BRACKET GL PBC L FG	Left back bracket for Peninsula Base Corner (PBC) Full-Extension Hidden Glide
BRACKET GL PBC R FG	Right back bracket for Peninsula Base Corner (PBC) Full-Extension Hidden Glide
BRACKET GL BD RDL FG	Left back bracket for any bottom drawer that uses the GLIDE FD CCL__ W/EXT (excluding PB, PBC, 2DB)
BRACKET GL BD RDR FG	Right back bracket for any bottom drawer that uses the GLIDE FD CCR__ W/EXT (excluding PB, PBC, 2DB)
BRACKET GL BD UNI FG	Left/Right back bracket for any bottom drawer that uses the Full-extension Glide (excluding PB, PBC, 2DB)
BRACKET GL BD UNI FG	Left/Right back bracket for any bottom drawer that use the GLIDE FD CC__ (excluding PB, PBC, 2DB)
BRACKET GL PB L FG	Left back bracket for Peninsula Base Full-Extension Hidden Glide
BRACKET GL PB R FG	Right back bracket for Peninsula Base Full-Extension Hidden Glide
BRACKET GL UD RDL FG	Left back bracket for any upper drawer(s) that uses the GLIDE FD CCL__ W/EXT (excluding PB, PBC, 2DB)
BRACKET GL UD RDR FG	Right back bracket for any upper drawer(s) that uses the GLIDE FD CCR__ W/EXT (excluding PB, PBC, 2DB)
BRACKET GL UD UNI FG	Left/Right back bracket for any upper drawer(s) that use the GLIDE FD CC__ (excluding PB, PBC, 2DB)
BRACKET RD DROT L FA	Left back bracket for reduced depth GLIDE DROTCC__ and DROT__21
BRACKET RD DROT R FA	Right back bracket for reduced depth GLIDE DROTCCR__ and DROT__21
BRACKET RED DP REAR	Back bracket for reduced depth Side-Mounted Glide
BRACKETDROT FRT MTL	Front bracket for GLIDE DROTCC__24 & GLIDE DROTCC__21
CLIP HD DRB BACK L	Left back bracket for 2 Drawer Base and Wastebasket Cabinets
CLIP HD DRB BACK R	Right back bracket for 2 Drawer Base and Wastebasket Cabinets
CLIP DDF	Drawer front clip
CLIP LOCK 3/4 4 PK	Package of four locking shelf rests for Base and Tall cabinet shelves
CLIP REAR SHELF	Middle shelf rest for 27" or wider Wall cabinet shelf
CLIP SHELF NP SPIN	Locking shelf clip for NP Spin Units (Base 4 required, Wall 5 required)
DRB HD MOUNT CLIP L	Left drawer release clip for 2 Drawer Base or Wastebasket Cabinets
DRB HD MOUNT CLIP R	Right drawer release clip for 2 Drawer Base or Wastebasket Cabinets
DRB MOUNT CLIP L FD	Drawer release clip for Left Soft-Close Glide
DRB MOUNT CLIP R FD	Drawer release clip for Right Soft-Close Glide
DROTFA MOUNT CLIP L	Left release clip for GLIDE DROTCC__24 and DROT__21
DROTFA MOUNT CLIP R	Right release clip for GLIDE DROTCC__24 and DROT__21
MOUNT BRACKET GA SS1	Bracket for Side-Mounted Channels
SHELF REST METAL 12	Package of twelve metal shelf rests for Wall or Bookshelf shelves
SHELF REST METAL 4PK	Package of four metal shelf rests for Wall or Bookshelf shelves
SHELF REST OSS 6PK	Clips for Oven Support Shelf Kit
SHELF SUPT ADJ BASE	Middle shelf rest for 27" or wider Base cabinet shelf
SPACER GL BD FRT FG	Front drawer clip for bottom drawer on DB__ cabinets (excluding 2DB)
SPACER GL KDC FRT FG	Front drawer clip for KDC

Miscellaneous Parts & Accessories

Miscellaneous	
PART NAME	DESCRIPTION
BASE CORNER BLOCK WD	Plywood corner block
BFP3 FRONT FILLER	Filler for BFP3 Base Filler Pull Out
BPP9 KIT	Kit for BPP9 Base Pantry Pull Out
BPP12 KIT	Kit for BPP12 Base Pantry Pull Out
BTDP9 KIT	Kit for BTDP9 Base Tray Divider Pull Out
BPPUS12 KIT	Kit for BPPUS12 Base Pull Out Utensil Storage
BPPUS9 KIT	Kit for BPPUS9 Base Pull Out Utensil Storage
BUMPER CLEAR	Door bumper (Strip of 4 bumpers)
BUMPER CLEAR 55	Door bumper (Strip of 55 bumpers)
BUMPER CLEAR DWR	Drawer bumper (Strip of 4 bumpers)
BWBB15 FH FOL KIT	Wastebasket kit for FOL BWBB15 FH
BWBB15 FOL KIT	Wastebasket kit for FOL BWBB15
BWBB15-2 FOL KIT	Wastebasket kit for FOL BWBB15-2
BWBB18 FH FOL KIT	Wastebasket kit for FOL BWBB18 FH
BWBB18-2 FOL KIT	Wastebasket kit for FOL BWBB18-2
BWBB21-2 FH FOL KIT	Wastebasket kit for FOL BWBB21-2 FH
BWBB21-2 FOL KIT	Wastebasket kit for FOL BWBB21-2
COVER CAP 10MM TAN	Tan cover cap for cabinet backs (4 per pack)
COVER CAP 10MM WHT	White cover cap for cabinet backs (4 per pack)
DWBB1821 FOL KIT	Wastebasket kit for FOL DWBB1821
DWBB1824 FOL KIT	Wastebasket kit for FOL DWBB1824
DFDC FILE UNIT 21	File unit for DFDC1821
DFDC FILE UNIT 24	File unit for DFDC1824
FRAME SPACER BPP9	Unit stabilizer and frame spacer for BPP9, BPP12 & BTDP9
KNOB SDC	Wooden knob for SDC/BSDC6
LATCH TILT OUT TRAY	Replacement Latch for Factory Installed Tilt-Out Tray (1 required)
PDO30	Peg Dish Organizer for 30" 2 Drawer Base
PDO36	Peg Dish Organizer for 36" 2 Drawer Base
PEG KIT 4 PK	Package of 4 pegs for Peg Dish Organizer
ROT DIVIDER KIT	Divider for ROTDK12/ROTDK15
ROT PROTECTOR	End plastic protector on Deep Roll Out Trays (2 required per DROT)
SDROT30	Scalloped Deep Roll Out Tray for DB30 2DWR
SDROT36	Scalloped Deep Roll Out Tray for DB36 2DWR
TRAY ST TILT OUT 11	Stainless Tray ONLY for Factory Installed Tilt-Out
TRAY ST TILT OUT 14	Stainless Tray ONLY for Factory Installed Tilt-Out
TRAY ST TILT OUT 24	Stainless Tray ONLY for Factory Installed Tilt-Out
VWBB1834H FOL KIT	Wastebasket kit for VWBB1834H
WASTEBASKET 27QT SLV	Silver 27-Quart trashcan
WASTEBASEKT 35QT SLV	Silver 35-Quart trashcan
WASTEBASEKT 50QT SLV	Silver 50-Quart trashcan
WCC DOWEL	Dowel for WCC cabinet
WCC24 4PC RAIL	Top and bottom dowel rails for WCC2415
WCC30 4PC RAIL	Top and bottom dowel rails for WCC3015
WCC36 4PC RAIL	Top and bottom dowel rails for WCC3615
WOOD SPIN HOLE PLUG	Access hole plug for wood spin shelf on CBS and CWS cabinets

Miscellaneous Shelving	
PART NAME	DESCRIPTION
WTH DOOR STAY	One Door Stay for Wall Top Hinge cabinet
WTH DR STAY BRK	One Door Bracket for WTH DOOR STAY
WTH FR STAY BRK	One Frame bracket for WTH DOOR STAY
WTH HEX KEY BAG	One Hex Key for WTH DOOR STAY
BS18 SHELF 1PK	Single Shelf for BSPLY18
BS18 SHELF 4PK	4 Pack Shelf Kit for BSPLY18
BS24 SHELF 1PK	Single Shelf for BSPLY24
BS24 SHELF 4PK	4 Pack Shelf Kit for BSPLY24
BS30 SHELF 1PK	Single Shelf for BSPLY30
BS30 SHELF 4PK	4 Pack Shelf Kit for BSPLY30
BS36 SHELF 1PK	Single Shelf for BSPLY36
BS36 SHELF 4PK	4 Pack Shelf Kit for BSPLY36
WCMSC2412 SHELF	Microwave shelf for WCMSC241236 BUTT
WCMSC2712 SHELF	Microwave shelf for WCMSC271236 BUTT
WMSC2712 SHELF	Microwave shelf for WMSC271236 BUTT
WMSC2718 SHELF	Microwave shelf for WMSC271836 BUTT / WMSC271842 BUTT
WMSC3012 SHELF	Microwave shelf for WMSC301236

Screws	
PART NAME	DESCRIPTION
SCREW DDF 1"	Screw for 5-piece drawer fronts
SCREW CHANNEL	Channel installation screw (2 per channel)
SCREW DDF 1 1/4"	Drawer front installation screw
SCREW DDF SDC 7/8"	SDC drawer front installation screw (1 per drawer body)
SCREW EXTENDER RD	Screw for RD extender (1 per extender)
SCREW GLIDE FD	Adjustment screw for Full-Access Hidden Glide (1 per glide)
SCREW HINGE/DR	Hinge-to-door screw (2 per door)
SCREW HINGE/FR	Hinge-to-frame screw (1 per hinge)
SCREW TRACK	Track screw (6 per track)

essential Replacement Parts Reference Sheet

essential Replacement Parts For 24" Deep Base And Desk Drawers

PART NAME	DESCRIPTION
DRB__ x 18DP DT SG	Small dovetail drawer body
DRB__M x 18DP DT SG	Large dovetail drawer body
CHANNEL 21L	Left channel for drawer - attaches to cabinet (qty 1 per drawer)
CHANNEL 21R	Right channel for drawer - attaches to cabinet (qty 1 per drawer)
TRACK GA 21L	Left track for drawer - attaches to drawer body (qty 1 per drawer)
TRACK GA 21R	Right track for drawer - attaches to drawer body (qty 1 per drawer)
BRACKET CHAN B	Back bracket for channel - attaches channel to cabinet (qty 2 per drawer)
SCREW CHANNEL	Channel screw - attaches channel to face frame (qty 1 per drawer)
SCREW TRACK	Track screw - attaches track to drawer body (qty 3 per drawer)

essential Replacement Parts For 21" Deep Vanity And Desk Drawers

PART NAME	DESCRIPTION
DRB__ x 18DP DT SG	Small dovetail drawer body
DRB__M x 18DP DT SG	Large dovetail drawer body
CHANNEL V L	Left channel for drawer - attaches to cabinet (qty 1 per drawer)
CHANNEL V R	Right channel for drawer - attaches to cabinet (qty 1 per drawer)
TRACK V L	Left track for drawer - attaches to drawer body (qty 1 per drawer)
TRACK V R	Right track for drawer - attaches to drawer body (qty 1 per drawer)
BRACKET CHAN B	Back bracket for channel - attaches channel to cabinet (qty 2 per drawer)
SCREW CHANNEL	Channel screw - attaches channel to face frame (qty 1 per drawer)
SCREW TRACK	Track screw - attaches track to drawer body (qty 3 per drawer)

essential Replacement Parts For 18" Deep Vanity/Kneehole Drawers

PART NAME	DESCRIPTION
DRB__ x 15DP DT SG	Small dovetail drawer body
DRB__M x 15DP DT SG	Large dovetail drawer body
DRBKDC_X 15DP DT SG	Kneehole drawer body
CHANNEL V 18L	Left channel for drawer - attaches to cabinet (qty 1 per drawer)
CHANNEL V 18R	Right channel for drawer - attaches to cabinet (qty 1 per drawer)
TRACK GA 16L	Left track for drawer - attaches to drawer body (qty 1 per drawer)
TRACK GA 16R	Right track for drawer - attaches to drawer body (qty 1 per drawer)
BRACKET CHAN B	Back bracket for channel - attaches channel to cabinet (qty 2 per drawer)
SCREW CHANNEL	Channel screw - attaches channel to face frame (qty 1 per drawer)
SCREW TRACK	Track screw - attaches track to drawer body (qty 3 per drawer)

essential Replacement Parts For Wastebasket Pullout

PART NAME	DESCRIPTION
BWBB__ FOL KIT	Base Bottom Mounted Wastebasket Kit (includes all installation items)
DWBB18__ FOL KIT	Desk Bottom Mounted Wastebasket Kit (includes all installation items)
VWBB1834H FOL KIT	Vanity Bottom Mounted Wastebasket Kit (includes all installation items)
GLIDE HD FAL21	Left Full-Access Heavy Duty Glide for DWBB1821, VWBB1834H (qty 1 per pullout)
GLIDE HD FAL24	Left Full-Access Heavy Duty Glide for BWBB__, DWBB1824 (qty 1 per pullout)
GLIDE HD FAR21	Right Full-Access Heavy Duty Glide for DWBB1821, VWBB1834H (qty 1 per pullout)
GLIDE HD FAR24	Right Full-Access Heavy Duty Glide for BWBB__, DWBB1824 (qty 1 per pullout)
CLIP HD DRB BACK L	Left back clip for wastebasket pullout (qty 1 per glide)
CLIP HD DRB BACK R	Right back clip for wastebasket pullout (qty 1 per glide)
SCREW GLIDE FD	Screw that attaches glide brackets to front face frame of cabinet (qty 1 per glide)
SCREW TRACK	Screw that attaches the door to the drawer box using "L" brackets (qty 2 per bracket)
SCREW BRACKET DDF	Attaches "L" bracket to drawer front (qty 2 per bracket)
SCREW BRACKET DRB	Attaches "L" bracket to drawer box (qty 2 per bracket)
BRACKET GLIDE HD BOT	Heavy Duty Glide back bracket - mounts to cabinet floor (qty 1 per glide)
DDF BRACKET FOL	Metal "L" bracket for FOL door attachment (qty 4 per door)
DDF BRACKET CCAP FOL	Plastic "L" bracket cover cap for DDF BRACKET FOL (qty 1 per bracket)
WASTEBASKET 27QT SLV	Silver 27 quart wastebasket
WASTEBASKET 35QT SLV	Silver 35 quart wastebasket
WASTEBASKET 50QT SLV	Silver 50 quart wastebasket

essential Replacement Parts Reference Sheet

essential Replacement Parts For 24" Deep DROT'S/BPPOK'S/ROTDK'S	
PART NAME	DESCRIPTION
DROT_	Deep Dovetail Deep Roll Out Tray Kit
CHANNEL SS1L	Left channel for deep roll out tray - attaches to cabinet (qty 1 per drawer)
CHANNEL SS1R	Right channel for deep roll out tray - attaches to cabinet (qty 1 per drawer)
TRACK GA 21L	Left track for deep roll out tray - attaches to drawer body (qty 1 per drawer)
TRACK GA 21R	Right track for deep roll out tray - attaches to drawer body (qty 1 per drawer)
BRACKET CHAN B	Back bracket for channel - attaches channel to cabinet (qty 2 per drawer)
SCREW CHANNEL	Channel screw - attaches channel to face frame (qty 1 per deep roll out tray)
SCREW TRACK	Track screw - attaches track to drawer body (qty 3 per drawer)
SCREW TRACK	Track screw - attaches track to drawer body (qty 3 per drawer)

essential Replacement Parts For 21" Deep VLC DROT'S	
PART NAME	DESCRIPTION
DROT_21	Deep Dovetail Deep Roll Out Tray Kit
CHANNEL V L	Left channel for deep roll out tray - attaches to cabinet (qty 1 per drawer)
CHANNEL V R	Right channel for deep roll out tray - attaches to cabinet (qty 1 per drawer)
TRACK V L	Left track for deep roll out tray - attaches to drawer body (qty 1 per drawer)
TRACK V R	Right track for deep roll out tray - attaches to drawer body (qty 1 per drawer)
BRACKET CHAN B	Back bracket for channel - attaches channel to cabinet (qty 2 per drawer)
SCREW CHANNEL	Channel screw - attaches channel to face frame (qty 1 per deep roll out tray)
SCREW TRACK	Track screw - attaches track to drawer body (qty 3 per drawer)
SCREW TRACK	Track screw - attaches track to drawer body (qty 3 per drawer)

essential Replacement Parts For Two Drawer Base Drawers	
PART NAME	DESCRIPTION
DRB_ HD x 21DPDFD	Drawer body - release clips attached
GLIDE HD CCL24	Left CushionClose Glide (qty 1 per drawer)
GLIDE HD CCR24	Right CushionClose Glide (qty 1 per drawer)
CLIP HD DRB BACK L	Left back bracket for drawer glide (qty 1 per drawer)
CLIP HD DRB BACK R	Right back bracket for drawer glide (qty 1 per drawer)
BRACKET GL HD BOT	Bottom bracket for glide (qty 2 per drawer)
SCREW GLIDE FD	Screw to attach front clip for drawer (qty 2 per drawer)
DRB HD MOUNT CLIP L	Left drawer release clip for drawer glide - included with replacement drawer body (qty 1 per drawer)
DRB HD MOUNT CLIP R	Right drawer release clip for drawer glide - included with replacement drawer body (qty 1 per drawer)

select & luxury Replacement Parts Reference Sheet

select & luxury Replacement Parts For 24" Deep Base And Desk Drawers

PART NAME	DESCRIPTION
DRB__ x 21DP DT FD	Small drawer body - release clips attached
DRB__M x 21DP DT FD	Large drawer body - release clips attached
GLIDE FD CCL24	Left CushionClose Glide (qty 1 per drawer)
GLIDE FD CCR 24	Right CushionClose Glide (qty 1 per drawer)
BRACKET GL BD UNI FG	Back bracket for any bottom drawer (qty 2 per drawer)
BRACKET GL UD UNI FG	Back bracket for any upper drawer (qty 2 per drawer)
SCREW GLIDE FD	Screw to attach front clip for drawer (qty 2 per drawer)
DRB MOUNT CLIP L FD	Left drawer release clip for drawer glide - included with replacement drawer body (qty 1 per drawer)
DRB MOUNT CLIP R FD	Right drawer release clip for drawer glide - included with replacement drawer body (qty 1 per drawer)

select & luxury Replacement Parts For 21" Deep Vanity And Desk Drawers

PART NAME	DESCRIPTION
DRB__ x 18DP DT FD	Small drawer body - release clips attached
DRB__M x 18DP DT FD	Large drawer body - release clips attached
GLIDE FD CCL VAN21	Left CushionClose Glide (qty 1 per drawer)
GLIDE FD CCR VAN21	Right CushionClose Glide (qty 1 per drawer)
BRACKET GL BD UNI FG	Back bracket for any bottom drawer (qty 2 per drawer)
BRACKET GL UD UNI FG	Back bracket for any upper drawer (qty 2 per drawer)
SCREW GLIDE FD	Screw to attach front clip for drawer (qty 2 per drawer)
DRB MOUNT CLIP L FD	Left drawer release clip for drawer glide - included with replacement drawer body (qty 1 per drawer)
DRB MOUNT CLIP R FD	Right drawer release clip for drawer glide - included with replacement drawer body (qty 1 per drawer)

select & luxury Replacement Parts For 18" Deep Vanity/Kneehole Drawers

PART NAME	DESCRIPTION
DRB__ x 15DP DT FD	Small dovetail drawer body
DRB__M x 15DP DT FD	Large dovetail drawer body
DRBKDC_X 15DP DT FD	Small drawer body - release clips attached
GLIDE FD CCL18	Left CushionClose Glide (qty 1 per drawer)
GLIDE FD CCR 18	Right CushionClose Glide (qty 1 per drawer)
BRACKET GL BD UNI FG	Back bracket for any bottom drawer (qty 2 per drawer)
BRACKET GL UD UNI FG	Back bracket (qty 2 per drawer)
SCREW GLIDE FD	Screw to attach front clip for drawer (qty 2 per drawer)
DRB MOUNT CLIP L FD	Left drawer release clip for drawer glide - included with replacement drawer body (qty 1 per drawer)
DRB MOUNT CLIP R FD	Right drawer release clip for drawer glide - included with replacement drawer body (qty 1 per drawer)

select & luxury Replacement Parts For Wastebasket Pullout

NOMENCLATURE	DESCRIPTION
BWBB__ FOL KIT	Base Bottom Mounted Wastebasket Kit (includes all installation items)
DWBB18__ FOL KIT	Desk Bottom Mounted Wastebasket Kit (includes all installation items)
VWBB1834H FOL KIT	Vanity Bottom Mounted Wastebasket Kit (includes all installation items)
GLIDE HD CCL21	Left CushionClose Heavy Duty Glide for DWBB1821, VWBB1834H (qty 1 per pullout)
GLIDE HD CCR21	Right CushionClose Heavy Duty Glide for DWBB1821, VWBB1834H (qty 1 per pullout)
GLIDE HD CCL24	Left CushionClose Heavy Duty Glide for BWBB__, DWBB1824 (qty 1 per pullout)
GLIDE HD CCR24	Right Cushion Close Heavy Duty Glide for BWBB__, DWBB1824 (qty 1 per pullout)
CLIP HD DRB BACK L	Left back clip for wastebasket pullout (qty 1 per glide)
CLIP HD DRB BACK R	Right back clip for wastebasket pullout (qty 1 per glide)
SCREW GLIDE FD	Screw that attaches glide brackets to front face frame of cabinet (qty 1 per glide)
SCREW TRACK	Screw that attaches the door to the drawer box using "L" brackets (qty 2 per bracket)
SCREW BRACKET DDF	Attaches "L" bracket to drawer front (qty 2 per bracket)
SCREW BRACKET DRB	Attaches "L" bracket to drawer box (qty 2 per bracket)
BRACKET GLIDE HD BOT	Heavy Duty Glide back bracket - mounts to cabinet floor (qty 1 per glide)
DDF BRACKET FOL	Metal "L" bracket for FOL door attachment (qty 4 per door)
DDF BRACKET CCAP FOL	Plastic "L" bracket cover cap for DDF BRACKET FOL (qty 1 per bracket)
WASTEBASKET 27QT SLV	Silver 27 quart wastebasket
WASTEBASKET 35QT SLV	Silver 35 quart wastebasket
WASTEBASKET 50QT SLV	Silver 50 quart wastebasket

select & luxury Replacement Parts Reference Sheet

select & luxury Replacement Parts For 24" Deep DROT'S/BPPOK'S/ROTDK'S

PART NAME	DESCRIPTION
DROT__	Deep Roll Out Tray Kit (ships with ALL installation hardware)
GLIDE DROTCL24	Left CushionClose Glide (qty 1 per roll out tray)
GLIDE DROTCCR24	Right CushionClose Glide (qty 1 per roll out tray)
SCREW GLIDE CC	Attachement screws for front brackets (2 per roll out tray)
BRACKET GL B DROTUNI	Back bracket for drawer glide (qty 2 per roll out tray)
BRACKETDROT FRT MTL	Front bracket for drawer glide - will ship with attachement screws (qty 2 per roll out tray)
DROTFA MOUNT CLIP L	Left release clip for roll out tray
DROTFA MOUNT CLIP R	Right release clip for roll out tray
SCREW TRACK	Track screw - attaches track to drawer body (qty 3 per drawer)

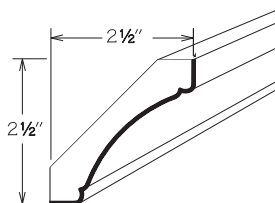
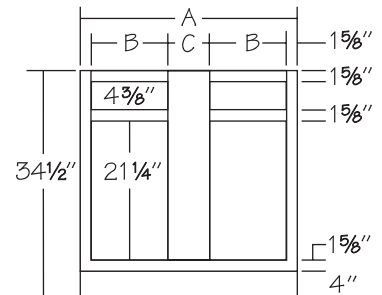
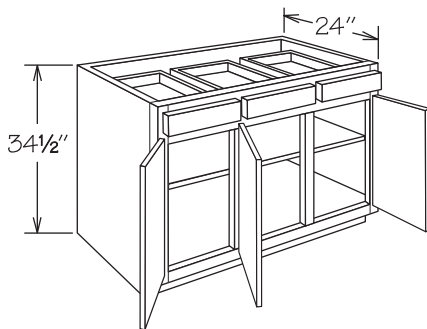
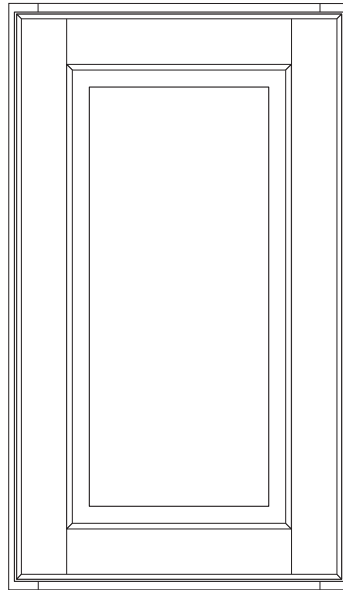
select & luxury Replacement Parts For 21" Deep VLC DROT'S

PART NAME	DESCRIPTION
DROT__21	Deep Roll Out Tray Kit (ships with ALL installation hardware)
GLIDE FD CCLVAN21	Left CushionClose Glide (qty 1 per roll out tray)
GLIDE FD CCRVAN21	Right CushionClose Glide (qty 1 per roll out tray)
SCREW GLIDE CC	Attachment screws for front brackets (2 per roll out tray)
BRACKET RD DROT L FA	Left back bracket for drot glide (qty 1 per roll out tray)
BRACKET RD DROT R FA	Right back bracket for drot glide (qty 1 per roll out tray)
BRACKETDROT FRT MTL	Front bracket for drawer glide - will ship with attachment screws (qty 2 per roll out tray)
DROTFA MOUNT CLIP L	Left release clip for roll out tray
DROTFA MOUNT CLIP R	Right release clip for roll out tray

select & luxury Replacement Parts For Two Drawer Base Drawers

PART NAME	DESCRIPTION
DRB__ HD x 21DPDTFD	Drawer body - release clips attached
GLIDE HD CCL24	Left CushionClose Glide (qty 1 per drawer)
GLIDE HD CCR24	Right CushionClose Glide (qty 1 per drawer)
CLIP HD DRB BACK L	Left back bracket for drawer glide (qty 1 per drawer)
CLIP HD DRB BACK R	Right back bracket for drawer glide (qty 1 per drawer)
BRACKET GL HD BOT	Bottom bracket for glide (qty 2 per drawer)
SCREW GLIDE FD	Screw to attach front clip for drawer (qty 2 per drawer)
DRB HD MOUNT CLIP L	Left drawer release clip for drawer glide - included with replacement drawer body (qty 1 per drawer)
DRB HD MOUNT CLIP R	Right drawer release clip for drawer glide - included with replacement drawer body (qty 1 per drawer)

index



	SKU	SPEC
A		
Accent Turned Foot	ATF	229
Accent Turned Foot, Full Round	ATF-FR	229
Adjustable Shelf Kit	SK__	156
Adjustable Shelf Kit	SK__	192
Adjustable Shelf Kit	S/SK__	178
Adjustable Shelf	S__	156
Adjustable Shelf	S__	192
Aluminum Frame Door Option	AFBA	43
Angle Crown Molding	ACM8	202
Angled Corbel	AS12	225
Angled Outside Corner Molding	AOSC8	211
Arched Valance Wall Range Hood	WRH__ AV	82
Asymmetrical Base Easy Reach Cabinet	BER__	123
Asymmetrical Base Super Susan with Wood Spin Units	BSS__ WD	122
B		
Base Bookshelf	BSPLY2434	132
Base Bookshelf	BSPLY2434	162
Base Cabinet Decorator Matching Doors	DMDB	186
Base Cabinet Dimensions	-	21
Base Cabinet Pot and Pan Organizer	B__ BPPO	96
Base Cabinet, Standard	B__	94
Base Cabinet, Two DROT	B__ 2FWT	95
Base Cabinet with Cutlery Divider And Two DROT	B__ 2FWT CD	99
Base Cabinet with Cutlery Divider	B__ CD	99
Base Cabinet with Cutting Board Door Rack Kit	B18 CBDR	100
Base Cabinet with Plastic Bag Door Storage	B__ PBDSU	100
Base Cabinet with Roll Out Tray Divider	B__ ROTD	96
Base Cabinet with Wastebaskets	BWBB__	97
Base Cabinet with Wood Tiered Cutlery Divider And Two DROT	B__ 2FWT WTCD	98
Base Cabinet with Wood Tiered Cutlery Divider	B__ WTCD	98
Base Corner Filler	BCF27	189
Base Easy Reach Cabinet	BER__	123
Base End Angle	BEA__ FH	130
Base Filler Pull Out	BFP3	132
Base Microwave Cabinet	BMC__	129
Base Oven Cabinet Universal	BOCU__	128
Base Pantry Pull Out	BPP__	102
Base Pot & Pan Organizer Kit	BPPOK__	135
Base Spice Drawer Cabinet	BSDC6	131
Base Square Foot	BSQF	228
Base Square Leg	BSQL	227
Base Super Susan with Wood Spin Units	BSS__ WD	122
Base Tapered Leg	BTPL	227
Base Toe Kick	BTK8	193
Base Tray Divider Pull Out	BTDP9	104

	SKU	SPEC
Base Turned Leg	BTL	228
Base Wine Rack Cabinet	BWRC6	131
Batten Molding	BM8	212
Beaded Column Filler	_BC3__	192
BeautyGuard® Finishing System	-	19
Blind Corner Base	BLB__	126
Blind Corner Base Dimensions	-	126
Blind Corner Closure	BLC1515	181
Blind Peninsula Corner Base	PBC24	125
Blind Peninsula Wall Cabinet	BLPW24	69
Blind Peninsula Wall Cabinet Installation Chart	-	69
Blind Wall Cabinet	BLW__	73
Blind Wall Cabinet Dimensions Chart	-	79
Blind Wall Cabinet Installation Chart	-	79

C

Cabinet Angle Molding	CAM8	212
Cabinet Care	-	19
Cabinet Dimensions	-	20
Cabinet Front Only Option	CFO	37
Cabinet Specifications	-	17
Cabinet Tray Divider	TD3	134
Ceiling Height Requirements	-	22
Chair Rail Molding	CR8	209
Chantilly Decorative Foot	CDF	231
Chantilly Decorative Leg	CDL	231
Chantilly Furniture Leg	CFL	231
Classic Baseboard Molding	CLBM8	215
Classic Trim Molding	CLTM8	214
Clear Glass Decorative Insert	DGI__ CLEAR	44
Cleat	HWC__	215
Construction Option Legend	-	36
Construction Package Comparison Chart	-	32
Contemporary Trim Molding	CTM8	205
Contents	-	3
Contents, Parts Directory	-	242
Corner Base Carousel	CAR36_ WD	124
Corner Base with Wood Spin Units	CBS36 WD	124
Corner Sink Base	CSB36	121
Corner Sink Front	CSF__	121
Corner Wall Cabinet	CW_	70
Corner Wall, Wood Spin Units	CWS__ WD	70
Cove Corbel	CC__	219
Cover Caps	COVER CAP	194
Crown Molding	CM8	202
Crown Valance	V__ CR	217
Curved Corbel	CS12	225
Cutting Board Door Rack Kit	CBDRK18	133

	SKU	SPEC
D		
Decorative Cove Molding	DCVM8	203
Decorative Inside Corner Molding	ICM8	211
Decorative Trim Molding	DCTM8	206
Decorator Matching Doors For BEA12	DMDBEA12	186
Decorator Matching Doors For Tall	DMDT__	187
Decorator Matching Doors For Wall	DMDW__	186
Deep Roll Out Tray 4-Pack Kit	DROT__4K	156
Deep Roll Out Tray Kit	DROT__	136
Deep Roll Out Tray Kit	DROT__	166
Deep Roll Out Tray Kit	DROT__	178
Deep Sink/Range Base	DSB__BUTT	116
Derbyshire Seeded Glass Decorative Insert	DGI-__ DERBYSHIRE	44
Desk Cabinet Dimensions	-	21
Desk Door Cabinet, 21" Deep	DDO__21	158
Desk Door Cabinet, 24" Deep	DDO__24	160
Desk Drawer Cabinet, 21" Deep	DDR__21	159
Desk Drawer Cabinet, 24" Deep	DDR__24	161
Desk End Panel	DEP	181
Desk Wastebasket Cabinet, 21" Deep	DWBB1821	159
Desk Wastebasket Cabinet, 24" Deep	DWBB1824	161
Dishwasher Return	DWR3	180
Door Style Collections	-	5
Drawer Base Cabinet Dimensions	-	21
Drawer Base Cabinet, Four Drawers	DB__4DWR	110
Drawer Base Cabinet, Four Drawers, with Cutlery Divider	DB__4DWR CD	112
Drawer Base Cabinet, Three Drawers	DB__	109
Drawer Base Cabinet, Three Drawers, with Cutlery Divider	DB__ CD	111
Drawer Base Cabinet, Three Drawers, with Cutlery Divider	DB__ CD	112
Drawer Base Cabinet, Two Drawers	DB__2DWR	108
Drawer Base Cabinet, Two Drawers	DB__2DWR	109
Drawer Base, Pedestal	PD__1DWR	108
Dummy Drawer Front Fastener	DDF FASTENER	195
E		
End Panel	_EP__	182
Environmentally Responsible Stewardship	-	18
F		
File Pull Out Cabinet, 21" Deep	DFDC1821	158
File Pull Out Cabinet, 24" Deep	DFDC1824	160
Finished Shelf	FS__12	91
Finished Shelf	FS__12	193
Finishing System Specifications	-	19

	SKU	SPEC
Finley Corbel	FC__	222
Flat Panel Arched Valance Range Hood	RH__ FV	83
Flat Panel Arched Valance	V__ FP	216
Floating Shelf	FLSH__	90
Floating Shelf	FLSH__	166
Floating Shelf	FLSH__	193
Fluted Beaded Filler Extension	FBF E3__	190
Fluted Beaded Filler	FBF__	190
Fluted Column Filler	_FC3__	191
Frosted Glass Decorative Insert	DGI__ FROSTED	44
Full-Access Soft-Close Hidden Glides System	-	29
Full-Access Soft-Close Hidden Glides System	-	31
Full-Height Base Cabinet, Four DROT	B__ FH 4FWT	104
Full-Height Base Cabinet, One Wastebasket	BWBB15 FH	105
Full-Height Base Cabinets	B__ FH	101
Full-Height Base Cabinet, Two DROT	B__ FH 2FWT	103
Full-Height Base Cabinet, Two Wastebaskets	BWBB21-2 FH	105
Full-Height Base Cabinet with Tray Divider and Shelf	TB9 TDS	102
Full-Height Peninsula Base	PB__ FH	114
Furniture Drawer Cabinet, 6"	FD__06	106
Furniture Drawer Cabinet, 12"	FD__12	107
Furniture Ends Option	FE	37

G

Glass Insert Clips	CLIP DGI__	46
Glass Shelf Kit	GSK__	91
Grooved Panel	_EP__ GROOVED	182

I

Increased Depth Cabinet Option	ID	39
Inset Light Rail Molding	ILR8	205
Inside Corner Molding	QM8	210
Installation Guidelines	-	24

K

KCMA Certification	-	18
Kneehole Drawer Cabinet	KDC__	132
Kneehole Drawer Cabinet	KDC__	164
Kneehole Drawer Cabinet	KDC__	175

L

Large Cove Molding	LCVM8	203
Large Crown Molding	LCM8	201
Library Molding	LBM8	210

	SKU	SPEC
M		
Matching Interior Cabinet Option	MI	40
Meredith Glass Decorative Insert	DGI-__ MEREDITH	45
Mirror Molding	MM8	206
Molding Stacks, Classic	MS CLASSIC __	200
Molding Stacks, Modern	MS MODERN __	198
Molding Stacks, Transitional	MS TRANSITIONAL __	199
O		
Ogee Molding	OGE8	207
Ogee Pilaster Molding	OGP8	215
Open Frame Door Option	DGI-__	43
Outside Corner Molding	OTCM8	211
Oven Cabinet, Double	OVD__	144
Oven Cabinet, Single	OVS__	142
Oven Cabinet, with Base Pot & Pan Organizer, Single	OVS__ BPPO	143
Oven Support Shelf	OSS__	155
Overlay Dimensions	-	33
Overlay Filler	_OF__	189
P		
Parker Decorative Foot	PDF	230
Parker Decorative Leg	PDL	230
Parker Furniture Leg	PFL	230
Parts Directory Contents	-	242
Parts Directory Section	-	241
Pedestal Drawer Base	PD__1DWR	108
Peninsula Base Cabinet	PB__	113
Peninsula Corner Wall Cabinet	PWCW__	72
Peninsula Wall Cabinet	PW__	64
Plain Column Filler	_PC3__	191
Plastic Bag Door Storage Unit	PBDSU__	133
Plinth Block - 3"	_B3X4 PLINTH	226
Plinth Block - 6"	_B6X6 PLINTH	226
Prairie Corbel	PC__	223
Prepped for Decorative Glass Insert	DGI-__ PREPPED	45
Putty Stick	PUTTY STICK	195
Q		
Quarter Round Molding	QR8	213
R		
Raised Panel Arched Valance Range Hood	RH__ AV	83
Raised Panel Arched Valance	V__ RP	216
Range Hood Blower	RHVENT__	84
Range Hood Chimney	RHC__	87
Range Hood Liner, Arched Valance	RHLINER __A	86
Range Hood Liner, Straight Valance	RHLINER __S	86

	SKU	SPEC
Range Hood Liner, Tapered	RHLINER __	86
Recessed Toe Kick Option	RTK	37
Reduced Depth Cabinet Option	RD	38
Refrigerator Return Panel	RR__	185
Refrigerator Wall Cabinet	W__ X 24 DP	55
Ribbed Glass Decorative Insert	DGI-__ RIBBED	45
Roll Out Tray Divider Kit	ROTDK__	135
Rosette Corbel	RC__	224

S

Screws, Installation	SCREW INST 2.5 BX100	194
Scribe Molding	SM8	214
Shaker Accent Molding	SAM8	209
Shaker Insert Molding	SIM8	207
Shaker Mirror Molding	SMM8	206
Shaker Valance	V__ SH	217
Shelf, Adjustable	S__	156
Shelf, Adjustable	S__	192
Shelf, Adjustable	S/SK__	178
Shelf End Base	SEB	131
Shelf End Wall, Round Top and Bottom	SEW__	81
Shelf End Wall, Square Top and Bottom	SEW__ SQT	81
Shelf End Wall, Square Top and Round Bottom	SEW__ SQT	81
Shelf, Floating	FLSH__	90
Shelf, Floating	FLSH__	166
Shelf, Floating	FLSH__	193
Shelf Kit, Adjustable	SK__	156
Shelf Kit, Adjustable	SK__	192
Shelf Rests	SHELF REST	194
Shelf Under Cabinet Organizer	SUCO__	165
Shoe Molding	SHM8	213
Side-Mounted Drawer Glides	-	27
Single Bead Accent Molding	SBAM8	209
Single Bead Insert Molding	SBIM8	207
Single Bead Molding	SBM8	208
Sink Base Door Storage Unit	SBDSU__	133
Sink Base Multi-Storage Cabinet	SBMS__ BUTT STO	119
Sink Base Multi-Storage Shelf	SBMSS	134
Sink/Cooktop Base 3 Doors/Panels	SB45	116
Sink/Cooktop Base Cabinets	SB__	115
Sink/Cooktop Base with Tilt-Out Tray	SB__ STO	117
Sink/Cooktop Base with Tilt-Out Tray	SB__ STO	118
Sink/Cooktop Front	SF__	120
Sink Front Floor	FL__	180
Sink Front Return	SFRR/SFRL	180
Small Cove Molding	SCVM8	203
Small Single Bead Molding	SSBM8	208

	SKU	SPEC
Small Traditional Light Rail Molding	STLR8	204
Soffit Crown Molding	SCM8	202
Specialty Door Option	SD	42
Spice Drawer Cabinet	SDC__	88
Spice Rack Kit	SRK__	92
Split Block, Traditional	SPLT BLOCK__	232
Split Post	SPLT POST__	232
Spray Stain	SPRAY STAIN	196
Square Chair Rail Molding	SQCR8	210
Square Light Rail Molding	SQLR8	205
Stain Kits	STAIN	196
Stainless Tilt-Out Tray Kit	STO TRAY__	134
Starter Molding	STRM8	208
Stem Glass Holder	SGH36U	92
Stock, 3-Sided	S3S__	204
Stock, 4-Sided	S4S__	204
Storage Cube	SC__	88
Storage Cubes	SC__	164
Straight Trim Molding	UM8	214
Straight Valance Range Hood	RH__ SV	83
Straight Valance	V__ S	218
Straight Valance Wall Range Hood	WRH__ SV	82

T

Tall Bookshelves	BSPLY__	163
Tall Cabinet Dimensions	-	22
Tapered Range Hood	RH__ T	82
Touch Up Marker	TU MARKER	195
Traditional Classic Crown Molding	TCCM8	201
Traditional Valance	V__ T	218
Tray Divider, Cabinet	TD3	155
TuffTech Finishing System	-	19

U

Universal Filler Extension	UF E3__	188
Universal Filler	UF__	188
Utility Cabinet with Adjustable Shelves	UT__ AS	138
Utility Cabinet with Deep Roll Out Trays	UT__ 4ROT	140

	SKU	SPEC
V		
Valencia Corbel	VC__	221
Valet Cabinet	VC2436 BUTT	175
Vanity Base, 34 1/2" High	VB__34H	168
Vanity Base with Full-Height Door, 34 1/2" High	VB__34H FH	168
Vanity Combo Sink Base, 34 1/2" High	VSDB__34H	173
Vanity Drawer Base, 34 1/2" High	VDB__34H	169
Vanity Linen Cabinet	VLC__	176
Vanity Linen Cabinet, with Deep Roll Out Trays	VLC__4ROT	177
Vanity Sink Base, 34 1/2" High	VS/VAN__34H	170
Vanity Wastebasket Base Cabinet, 34 1/2" High	VWBB1834H	169
Void Door Cabinet Option	VDO	41
Void Top Drawer Option	VTD	40
W		
Wall Bookshelves	BSPLY__	90
Wall Bookshelves	BSPLY__	162
Wall Cabinet Construction, essential	-	26
Wall Cabinet Construction, luxury	-	30
Wall Cabinet Construction, select	-	28
Wall Cabinet Dimensions	-	20
Wall Cabinet, Standard	W__	48
Wall Cabinets with Spice Rack	W__SR	80
Wall China Cabinet	WCC__	89
Wall Compact Microwave Cabinet	WCMSC__	60
Wall Easy Reach Cabinet	WER__	71
Wall End Angle Cabinet	WEA__	80
Wall Microwave Cabinet	WMC__	62
Wall Microwave Cabinet	WMSC__	60
Wall Plain Box Filler	WPB__	87
Wall Top Hinge Cabinet	WTH__	58
Warranty Information	-	4
Wide Batten Molding	WBM8	213
Wine Rack Cabinet	WRC__	89
Wine Rack	WR36	92
Wine Storage Cabinet	WSC__	89
Wood Panel		__EP__ 183



essential CONSTRUCTION PACKAGE

- Furniture-grade side panels
- Solid hardwood face frames
- 6-way adjustable hinges
- 18-in deep dovetailed drawers
- Side-mounted glides on drawers & roll-out accessories
- Half-depth base cabinet shelves



select CONSTRUCTION PACKAGE

All features of **essential**

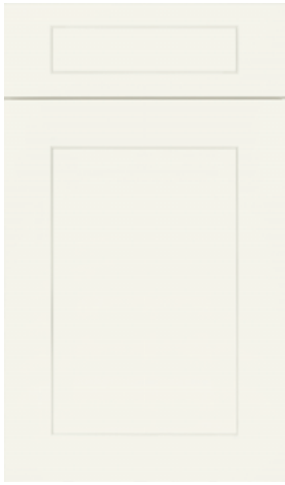
- + Soft-closing doors, drawers & roll-out accessories
- + Larger 21-in deep dovetailed drawers
- + Concealed glides on drawers & roll-out accessories
- + Full-depth base cabinet shelves



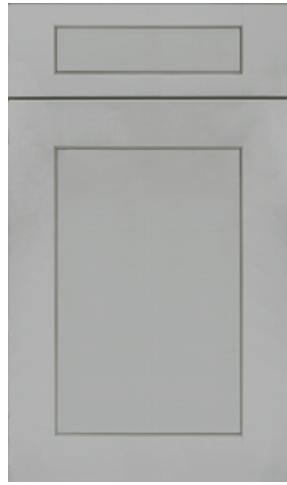
luxury CONSTRUCTION PACKAGE

All features of **select**

- + Durable plywood cabinet box
- + Heavy-duty plywood shelves
- + Matching plywood exterior sides



AVELEY



STONEWALL



TENLEY



PORT



ANNSCROFT



BICKERSHIRE



PATTINGHAM



DAWLEY



TUCKHILL



BRAMBLETON



EXCLUSIVELY AT



Printed in U.S.A. ©2021 AWC 0221 6,200 AR97652 allenandrothcabinetry.com

©2021 Lowe's. LOWE'S and Gable Mansard Design are registered trademarks of LF, LLC. All are used with permission.