

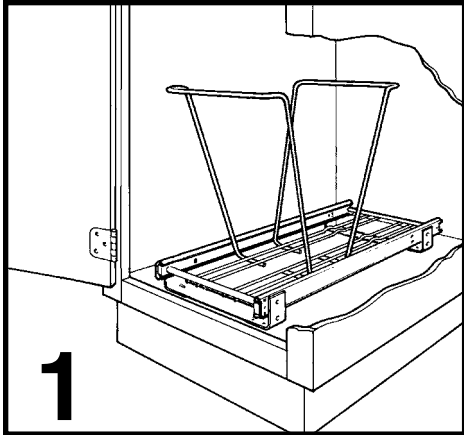
THESE INSTRUCTIONS SHOULD NOT BE FAXED OR REPRODUCED ON A DIGITAL COPIER. AMERICAN WOODMARK CORPORATION PROVIDES THESE INSTRUCTIONS ON AN "AS IS" BASIS AND DISCLAIMS ANY AND ALL LIABILITY FOR ANY INACCURACIES, OMISSIONS OR TYPOGRAPHICAL ERRORS CAUSED BY ANY THIRD PARTY'S EQUIPMENT. When you use these instructions, you are consenting to be bound by the provisions in this paragraph. These instructions provide an illustrative method for installing American Woodmark Corporation ("AWC") cabinets and/or accessories. AWC's instructions are not intended to address every possible contingency that might be encountered during installation or to endorse the use of any particular tools. AWC HEREBY EXPRESSLY DISCLAIMS ALL LIABILITY FOR ANY CLAIMS FOR INJURY OR DEATH RELATED TO OR BASED UPON THE USE OF THESE INSTALLATION INSTRUCTIONS AND ANY INSTALLATION INSTRUCTIONS OTHERWISE PROVIDED BY AWC.

ESTAS INSTRUCCIONES NO SE DEBEN ENVIAR POR FAX NI SE DEBEN REPRODUCIR EN UNA COPIADORA DIGITAL. AMERICAN WOODMARK CORPORATION PROPORCIONA ESTAS INSTRUCCIONES "TAL COMO ESTAN" Y RENUNCIA A CUALQUIER Y A TODA RESPONSABILIDAD POR CUALQUIER FALTA DE PRECISION, OMISION O ERROR TIPOGRAFICO CAUSADO POR EL EQUIPO DE TERCERAS PERSONAS. Al utilizar estas instrucciones, usted está aceptando estar sujeto a las disposiciones contenidas en este párrafo. Estas instrucciones proporcionan un método ilustrativo para instalar los gabinetes y/ o accesorios de American Woodmark Corporation ("AWC"). Las instrucciones de AWC no tienen por objeto resolver toda contingencia posible que pudiera presentarse durante la instalación ni recomendar el uso de una herramienta en particular. POR LA PRESENTE, AWC RENUNCIA EXPRESAMENTE A TODA RESPONSABILIDAD POR CUALQUIER RECLAMACION POR LESIONES O FALLECIMIENTO DERIVADOS DEL USO DE ESTAS INSTRUCCIONES DE INSTALACION Y DE OTRAS INSTRUCCIONES DE INSTALACION QUE AWC HAYA PROPORCIONADO DE ALGUNA OTRA FORMA.

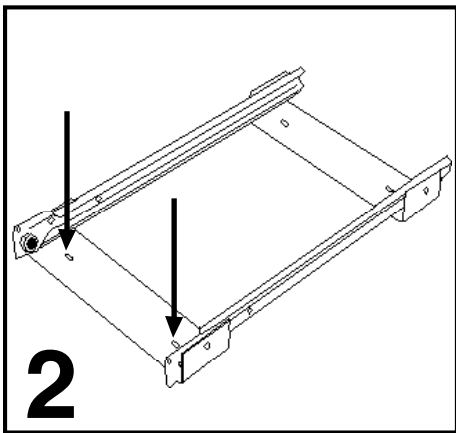
Installation Instructions for: RV-Series Pull-Out Waste Containers



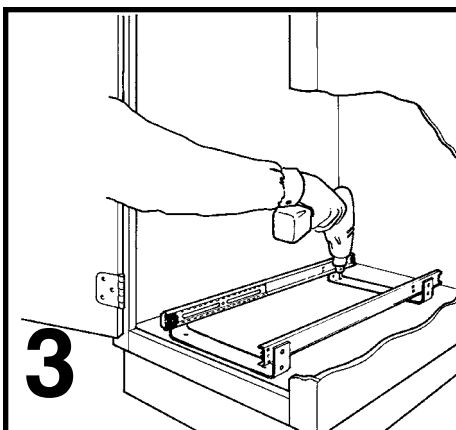
If you have any questions or would like additional information on the rest of our products for the kitchen, closet, or bathroom, please contact a Customer Service Specialist at: 1-800-626-1126 or visit us on the web at www.rev-a-shelf.com.



- 1** Your RV series Waste Container has been shipped fully assembled for ease of installation.
- First Remove the container(s) from the wire frame.
 - Place the frame inside of your cabinet.
 - Look to make sure that there is plenty of clearance to shut the door and for the waste container.

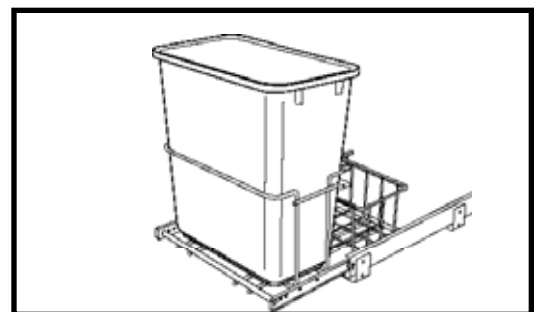


- 2** With the frame in a closed position, insert the front two screws, making sure that the framework is square to the front of the cabinet.



- 3** If there is sufficient clearance, proceed with installation of rear screws.

Finally, place your waste container in the wire frame and the installation is complete.



RV-Series Pull-Out Waste Containers



Rev-A-Shelf would like to thank you for purchasing one of our revolutionary Waste Containers.

Items included:

- 1 or 2 Waste Containers (depending on model)
- 1 Wire Frame
- 4 Screws

Tools needed:

- Phillips head screwdriver (or drill)
- Tape measure

Also, don't forget about our door mount kit (RV-DMKIT) that will attach your current cabinet door to your RV Waste Container.

Other RV Series Pull-Out Waste Containers available:

