

THESE INSTRUCTIONS SHOULD NOT BE FAXED OR REPRODUCED ON A DIGITAL COPIER. AMERICAN WOODMARK CORPORATION PROVIDES THESE INSTRUCTIONS ON AN "AS IS" BASIS AND DISCLAIMS ANY AND ALL LIABILITY FOR ANY INACCURACIES, OMISSIONS OR TYPOGRAPHICAL ERRORS CAUSED BY ANY THIRD PARTY'S EQUIPMENT. When you use these instructions, you are consenting to be bound by the provisions in this paragraph. These instructions provide an illustrative method for installing American Woodmark Corporation ("AWC") cabinets and/or accessories. AWC's instructions are not intended to address every possible contingency that might be encountered during installation or to endorse the use of any particular tools. AWC HEREBY EXPRESSLY DISCLAIMS ALL LIABILITY FOR ANY CLAIMS FOR INJURY OR DEATH RELATED TO OR BASED UPON THE USE OF THESE INSTALLATION INSTRUCTIONS AND ANY INSTALLATION INSTRUCTIONS OTHERWISE PROVIDED BY AWC.

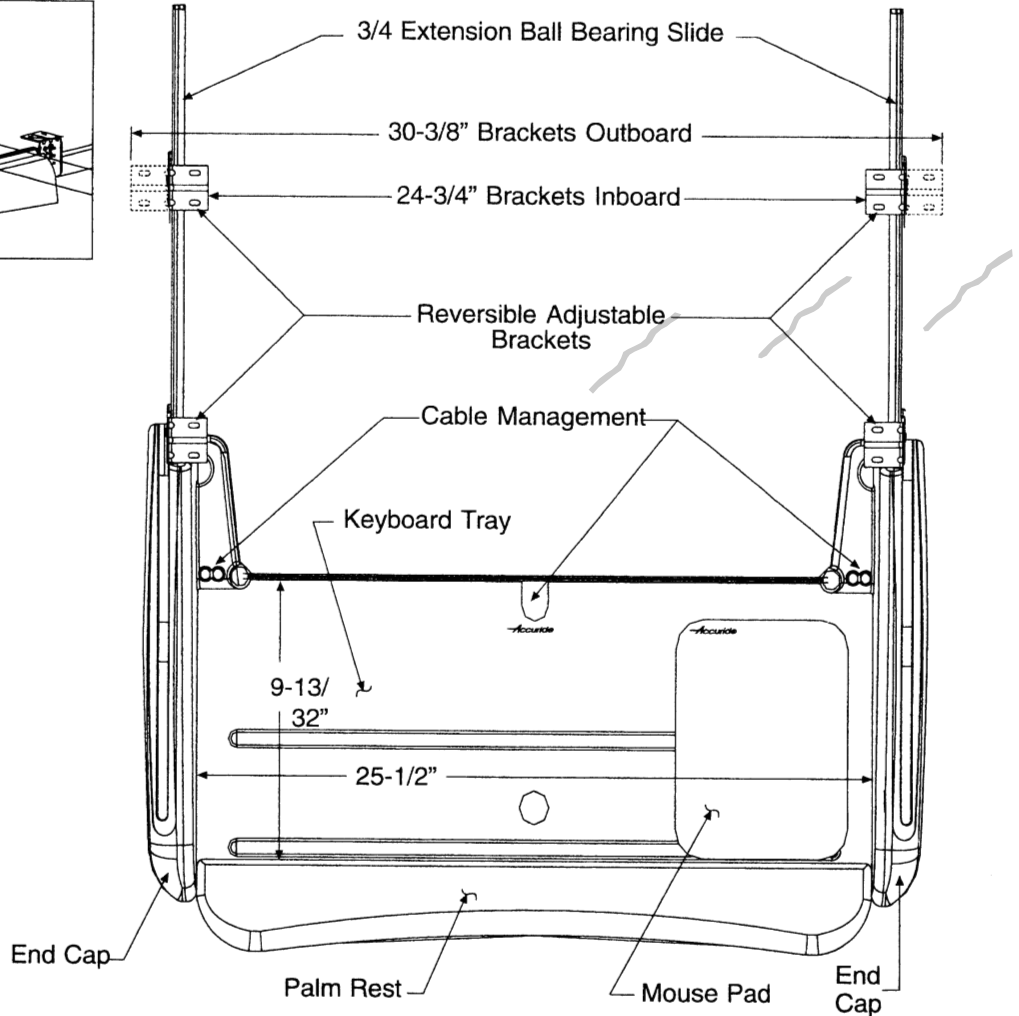
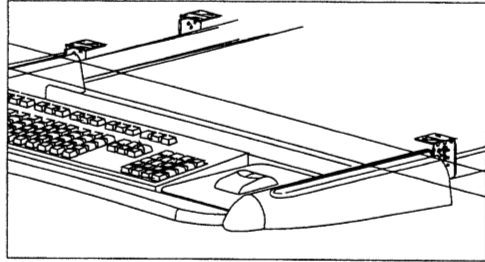
ESTAS INSTRUCCIONES NO SE DEBEN ENVIAR POR FAX NI SE DEBEN REPRODUCIR EN UNA COPIADORA DIGITAL. AMERICAN WOODMARK CORPORATION PROPORCIONA ESTAS INSTRUCCIONES "TAL COMO ESTAN" Y RENUNCIA A CUALQUIER Y A TODA RESPONSABILIDAD POR CUALQUIER FALTA DE PRECISION, OMISION O ERROR TIPOGRAFICO CAUSADO POR EL EQUIPO DE TERCERAS PERSONAS. Al utilizar estas instrucciones, usted está aceptando estar sujeto a las disposiciones contenidas en este párrafo. Estas instrucciones proporcionan un método ilustrativo para instalar los gabinetes y/ o accesorios de American Woodmark Corporation ("AWC"). Las instrucciones de AWC no tienen por objeto resolver toda contingencia posible que pudiera presentarse durante la instalación ni recomendar el uso de una herramienta en particular. POR LA PRESENTE, AWC RENUNCIA EXPRESAMENTE A TODA RESPONSABILIDAD POR CUALQUIER RECLAMACION POR LESIONES O FALLECIMIENTO DERIVADOS DEL USO DE ESTAS INSTRUCCIONES DE INSTALACION Y DE OTRAS INSTRUCCIONES DE INSTALACION QUE AWC HAYA PROPORCIONADO DE ALGUNA OTRA FORMA.



CBERGO-TRAY200

APPLICATIONS: For wood or metal furniture in home office furniture and office workstation desktops.
This product is covered by U.S. (D447,145 S) and foreign (ROC 74826) patents issued and/or pending.

Standard Keyboard System



Finish Black powder-coated (CB) finish

Unit Profile Width: 29-19/32"
Depth: 19-1/2"

Slide Travel 11"

Tray Profile Inside tray width: 25-1/2"
Inside tray depth: 9-13/32"

Mounting Space Minimum 30"

Load Slides are rated to carry 75 lbs.

Brackets Variable height,
Inboard/Outboard

Tray Tilt Fixed at -7°

Features

- Ergonomic design
- Slides fully concealed from view
- All rough edges and pinch points eliminated
- No transfer of grease
- Accommodates any size keyboard by removing palm rest
- Large tray width provides unhandled mouse surface
- Removable full-length foam palm rest
- Cable management fixtures incorporated in rear of tray
- Slides silenced in the open and closed positions
- Detent-in the open and closed positions

Before you begin, unpack the new keyboard assembly and inspect it for damage. If there is any damage or the product does not operate properly, contact your Accuride Distributor for further details.

NOTE:

This keyboard assembly is designed and intended to support computer keyboards and mice only. The mounting screws included are suitable for mounting into either wood materials or sheet metal, when the proper pilot hole is provided. All eight mounting screws should be fully tightened to mate the bracket to the mounting surface.

CAUTION: Always protect your eyes and wear safety goggles or glasses during installation.

Tools Required

- #2 Phillips Screwdriver (Minimum 6" long shank)
- Drill (6" long screwdriver bit required for inboard mounting)
- Scratch Awl
- 1/16" Drill Bit

Suggested Mounting Surface

- Use sturdiest material possible. Minimum 3/4" thick composite (MDF, plywood, or particle board) is recommended.

Installation Procedure

Step 1

- Determine the preferred mounting location of the keyboard assembly.
- For flush mounting, fold the installation template on the dotted lines and align the front edge (as noted) to the edge of the work surface. Otherwise, adjust the installation template to fit the desired location.
- Tape installation template in place.

Step 2

- The mounting brackets can be mounted "Inboard" or "Outboard". Determine the orientation of the mounting brackets for your unit. See Figure 1.

Step 3

- Punch eight pilot holes with a scratch awl and drill eight 1/16" diameter starter holes in the designated installation template locations for selected mounting style (inboard or outboard).

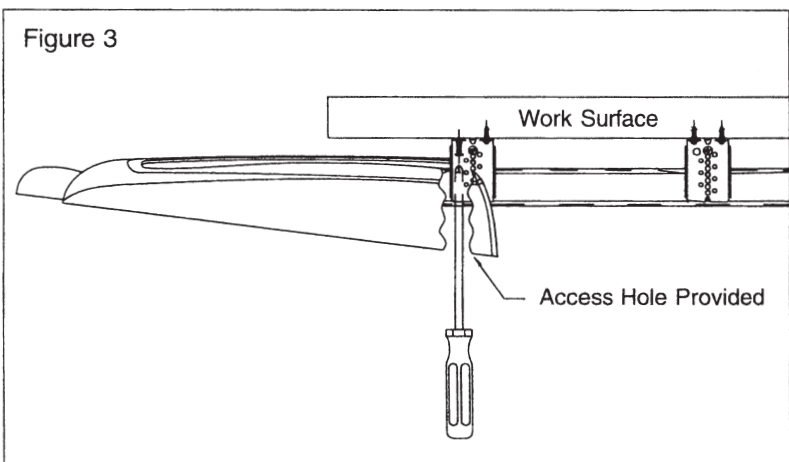
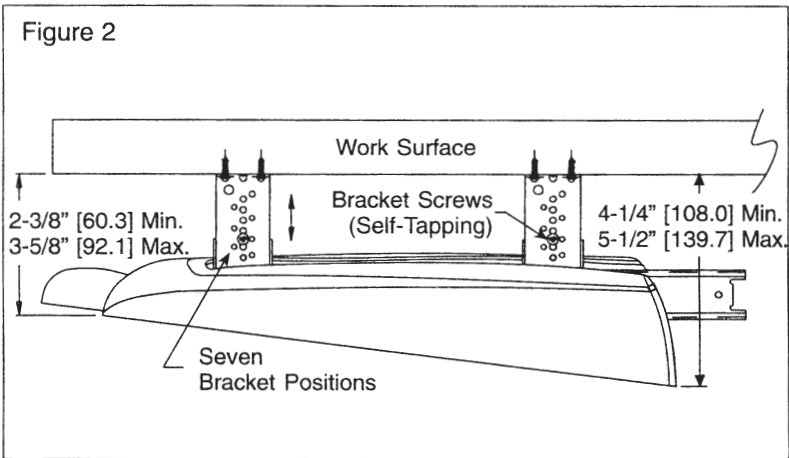
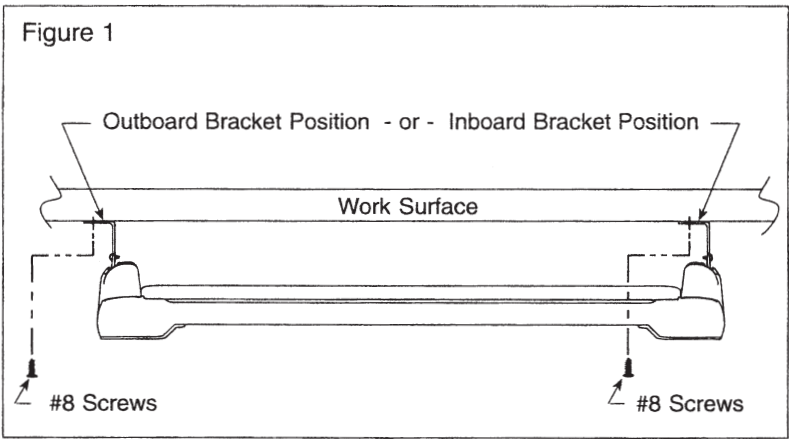
NOTE: Use caution while drilling pilot holes to not penetrate the top of the desk.

Step 4

- Remove installation template.

Step 5

- The unit is shipped with the mounting brackets installed in the lowest inboard setting. Remove and adjust as required.



- Using a Phillips screwdriver, remove the bracket screws. See Figure 2. Position the brackets to accommodate the preferred height and mounting orientation.
- Ensure that each bracket is adjusted to the same vertical setting.
- To maximize knee space, adjust brackets just enough to clear keyboard during travel.
- The self-tapping bracket screws can be installed from either direction. When repositioning brackets, make sure to reinstall the same screws.

Step 6

- While holding the unit in place, fasten the two rear brackets to the work surface with a Phillips screw driver (start with one screw per bracket). Each bracket will use two #8 X 5/8" screws.
- While holding the unit in place, extend the keyboard drawer to the fully open position. See Figure 3. Fasten the two front brackets.

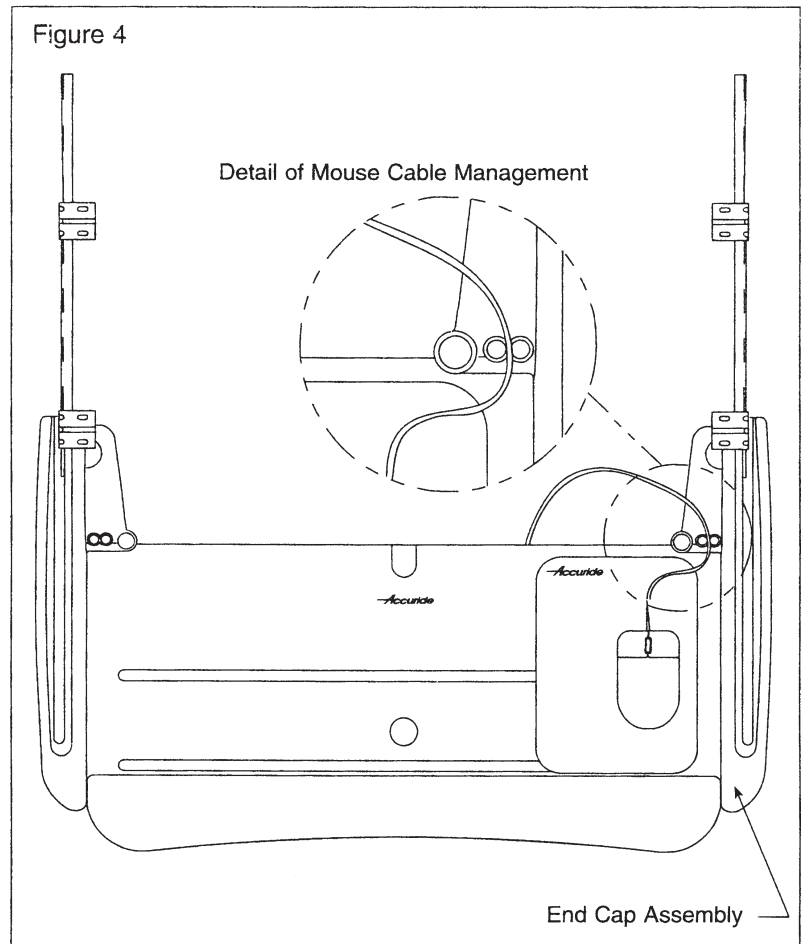
NOTE: Fully tighten the screws on one side. After all the brackets have been fastened, cycle the drawer a few times to ensure the slides have self-adjusted to a parallel movement and are moving freely.

Step 7

- After the unit has been cycled a few times, the slide alignment has self-adjusted. Close keyboard slightly, tighten the rear bracket screws on the other side, and install the remaining screws.
- Extend tray fully and install the remaining screws in the front brackets.
- If the brackets are not properly aligned, a slight dragging will be evident.

Cable Management

- Locations for mouse cable management can be found at either the rear left hand or rear right hand side of the tray at the rear of the end cap assembly. See Figure 4.
- The mouse cable is held in place by positioning it between the two small pins and pressing into place.
- If a free-moving mouse cable is preferred, position cable between the large and small pins.
- An oval cut-out located in the center of the keyboard tray is provided for keyboard cable management.



Ordering Procedure

Complete your order for Accuride Model CBERGO-TRAY200 by specifying the following:

Total keyboards required 20 Each CBERGO-TRAY200
Model _____

Packaging

Individually packaged in special carton with slides attached to keyboard. Includes hardware mounting kit 4180-0395-XE which includes:

8 each 2410-3241-CE #8-17 X 5/8" self-tapping screws

Specifications

Slide members: Cold rolled steel

Ball retainers: Cold rolled steel

Ball bearings: Carburized steel

Keyboard tray: Cold rolled steel

Palm rest: Foam

Mouse pad: Foam

End caps: ABS, molded plastic

Note: Specifications, materials, prices, terms, and delivery are subject to change without notice.

Accuride

ACCURIDE INTERNATIONAL INC.

12311 Shoemaker Avenue
Santa Fe Springs, CA 90670

TEL (562) 903-0200

FAX (562) 903-0208

www.accuride.com

Manufacturing, Engineering, and Sales

United States • Germany • Japan • Mexico • United Kingdom

Copyright © 2002 Accuride International Inc. Printed in U.S.A. 3700-9427-MK076-R4-0402